



HEPA Backpack Vacuum

Model H10QBP



Thank you for your recent purchase. You have bought a high quality, long-life commercial vacuum cleaner. For your safety and continued satisfaction with this product, please read this owner's manual carefully before using. For your information, all parts used in the manufacturing of this vacuum cleaner meet or exceed rigid quality control standards. We stand behind all our products and are available to assist you with a knowledgeable and dedicated staff. If we can help you in any way, please call Customer Service at 800-767-6933.

We also recommend that you visit our website aramsco.com for the fastest most efficient way to complete your product registration and see other Aramsco products and accessories to meet your cleaning needs.

ABOUT THE MACHINE

Inspection: Carefully unpack and inspect your new vacuum for shipping damage. Contents should be as shown.



Harness Assembly: Remove four (4) screws from vacuum housing inserts. Position harness on vacuum housing. Align harness back plate with mounting holes to the vacuum body. Re-insert four (4) screws through harness and tighten.



Adjusting Backpack Harness: Loosen waist and chest belt latches. Slide arms through shoulder straps. Adjust shoulder straps to raise or lower backpack so that the weight is evenly distributed between the back and hips, and the waist and chest belt latches comfortably. For significantly shorter or taller operators, it may be necessary to adjust the harness back-plate to find a comfortable position. The back-plate can be re-positioned by removing and relocating the four (4) screws to the vacuum housing.

To Operate:

- (1) Pass the pigtail cord through the strap outside the left side of the waist belt. Pass your extension power cord (not provided with vacuum) through the plastic retaining clip hanging from the harness. This will prevent the pigtail and extension power cord from separating during operation.
- (2) Place the pigtail switch box under the sewn strap and fasten the other strap around the switch box.
- (3) Fasten the waist belt and chest belt snugly and make sure the weight is resting comfortably on your hips. Again, the back plate is adjustable up or down by removing the four screws that attach to the vacuum's body.



Thermal Protection: The motor in this vacuum is protected with a thermal cutoff device. If an excessive high operating temperature is detected, power to the motor will be cutoff. Excessive operating temperature can be caused by a blocked vacuum hose or clogged filters. If thermal cutoff occurs, immediately turn off the vacuum and inspect for hose blockage or full filter bag. Remove blockage and/or replace filter bag, then allow a few minutes for the vacuum to cool down to reset thermal cutoff device before turning vacuum on.

WARNING

- Unplug the vacuum when working on the motor or any electrical part.
- Check the condition of all electrical cords before each use.
- Do not lubricate the motor; it is equipped with sealed bearings.
- The vacuum has no user serviceable parts.
- Do not vacuum with a frayed, worn, or damaged cord.
- Do not vacuum liquids or expose the canister vacuum to rain or water.
- Do not vacuum hazardous or toxic materials without HEPA in place.
- Do not use to pick up flammable.

Electrical Cord Care: Never stretch the cord tightly between the vacuum and the outlet. A cord that is stretched or pulled will not function properly and creates a danger. After vacuuming, unplug the cord and wind it up loosely. Do not wind the cord up by wrapping around your hand and elbow.

Proper Storage: When the vacuum is not in use, it should be stored in a dry place.

Filter Maintenance:

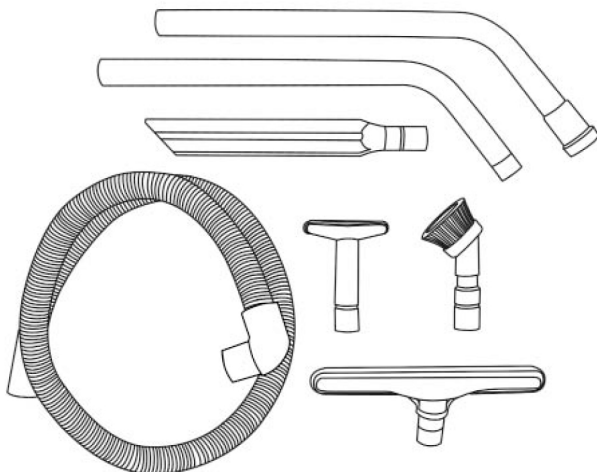
- (1) Prior to use, check the condition of the disposable paper filter bag. A clogged filter bag will restrict airflow, reducing vacuum performance and increasing the likelihood of motor overheating. Note: To avoid tearing the disposable paper filter bag, lift both the disposable paper filter bag and cloth bag at the same time. This is especially necessary when the disposable paper filter bag is full.
- (2) When necessary, hand or machine wash the cloth dust bag and let air-dry before replacing inside the vacuum. DO NOT put dust bag inside machine dryer.
- (3) Do not attempt to clean HEPA filter. If there is a lack of airflow after replacing the disposable paper filter bag and cloth dust bag, it will be necessary to replace the HEPA filter.
- (4) Rinse clean and air-dry the foam filter (below motor) when clogged. A damaged foam filter should be replaced before operating the vacuum.

LIMITED WARRANTY

The vacuum cleaner is warranted for 1 year from the date of purchase. Parts not covered under warranty are power cords, filters, motor brushes and squeegee blades. The warranty covers only failure due to defective parts or workmanship and will be invalidated by improper application and abuse.

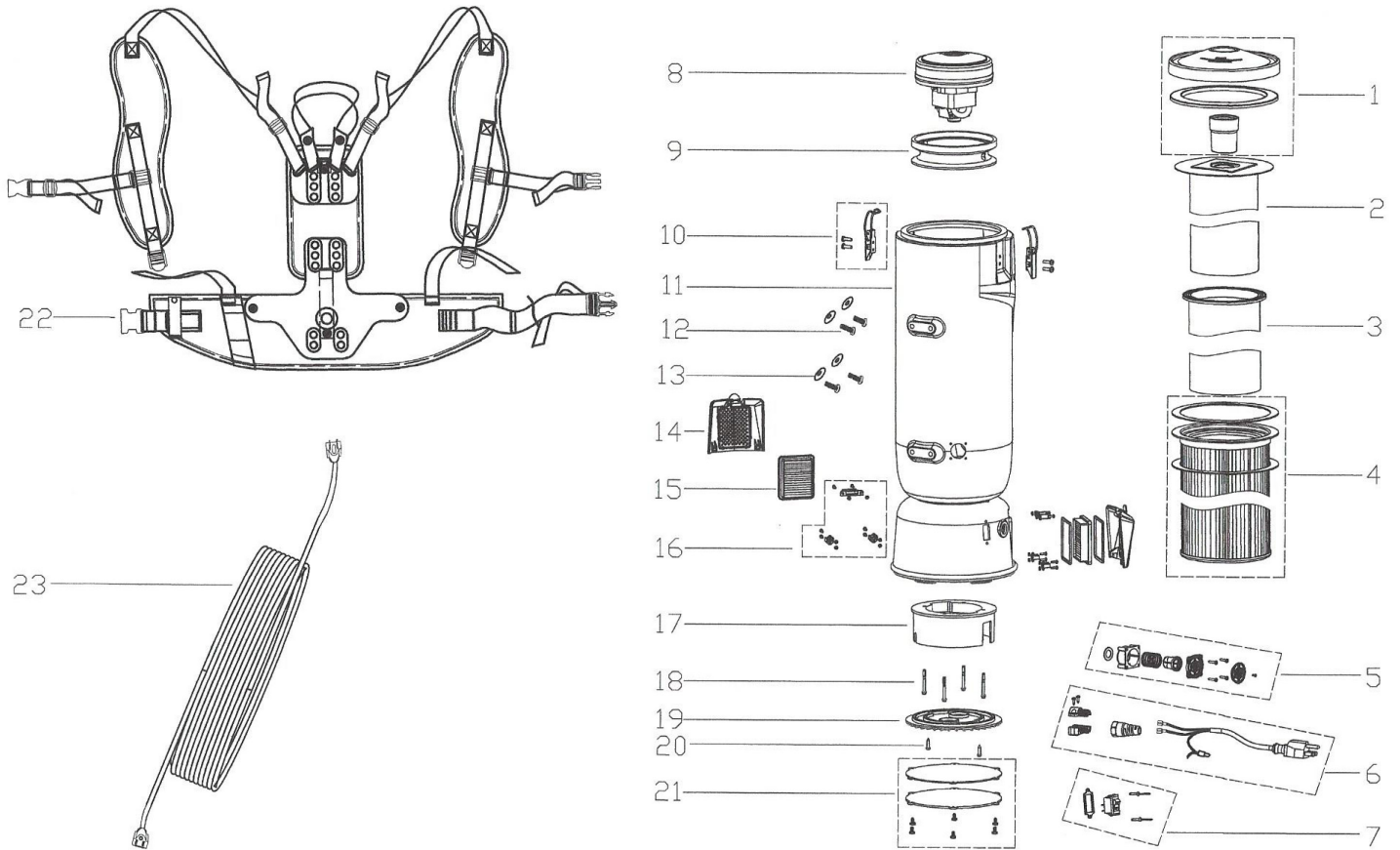
Under no circumstances should you return a failed unit to the factory. If you experience any problems with your vacuum during the warranty period, contact the Customer Service Department.

TOOL KIT



Part No.	Description	Qty.
122-3025-14 -1	Wand Aluminum 5' 2-Piece Button-Lock	1
122-3030-14	Dusting Brush Plastic 2" x 1.5"	1
122-3060-14	Crevice Tool Plastic 17" x 1.5"	1
122-3070-14	Upholstery Tool Plastic 4" x 1.5"	1
122-3044-14	Floor Tool Multi-Surface Plastic 14" x 1 9/16"	1
122-3012-14	Hose Crushproof 6' x 1.5" Swivel Cuffs	1

REPLACEMENT PARTS



Ref.	Part No.	Description	Qty.	Ref.	Part No.	Description	Qty.
1	124-7332-14	Lid Plastic	1	15	124-7344-14	HEPA Filter Exhaust	2
2	124-3228-14	Bag Disposable Filter	1	16	124-7338-14	Fastener Assy Exhaust	2
3	122-3230-14	Bag Cloth Filter	1	17	124-7419-14	Plate Motor	1
4	127-3321-14	HEPA Filter	1	18	Not Available	Screw Steel	4
5	124-7340-14	Valve Exhaust	1	19	124-7425-14	Guard Plastic Upper	1
6	124-7341-14	Cord Pigtail AC	1	20	Not Available	Screw Steel Self-Tapping	2
7	124-7310-14	Switch On/Off	1	21	124-7339-14	Sealing Assy	1
8	124-7302-10	Motor 120V	1	22	124-3333-14	Harness	1
9	124-7414-14	Gasket Motor Mount	1	23	124-3334-14	Cord Extension 50' (Not included with original purchase)	1
10	124-7432-14	Clamp Steel Backpack	2				
11	124-7416-14	Housing Plastic	1				
12	Not Available	Screw Steel	4				
13	Not Available	Washer	4				
14	124-7343-14	Cover Exhaust	2				

IMPORTANT SAFETY INSTRUCTIONS

When using an electrical vacuum, basic safety precautions should always be followed, including the following:

READ ALL INSTRUCTIONS BEFORE USING YOUR VACUUM CLEANER

WARNING: To reduce the risk of fire, electrical shock, or injury:

1. Do not leave appliance when plugged in. Unplug from outlet when not in use and before servicing.
2. Do not expose to rain. Store indoors.
3. Do not allow to be used as a toy. Close attention is necessary when used by or near children.
4. Use only as described in this manual. Use only manufacturer's recommended attachments.
5. Do not use with damaged cord or plug. If appliance is not working as it should, has been dropped, damaged, left outdoors, or dropped into water, contact Customer Service.
6. Do not pull or carry by cord, use as a handle, close a door on cord, or pull cord around sharp edges or corners. Do not run appliances over cord. Keep cord away from heated surfaces.
7. Do not unplug by pulling on cord. To unplug, grasp the plug, not the cord.
8. Do not handle plug or appliance with wet hands.
9. Do not put any object into openings. Do not use with any opening blocked; keep free of dust, lint, hair and anything that may reduce air flow.
10. Keep hair, loose clothing, fingers and all parts of the body away from openings and moving parts.
11. Do not pick up anything that is burning or smoking, such as cigarettes, matches, or hot ashes.
12. Do not use without dust bag and/or filters in place.
13. Turn off all controls before unplugging.
14. Use extra care when cleaning on stairs.
15. Do not use to pick up flammable or combustible liquids such as gasoline, or use in areas where they may be present.
16. This vacuum is for commercial use only.
17. Connect to a properly grounded outlet only. See grounding instructions.

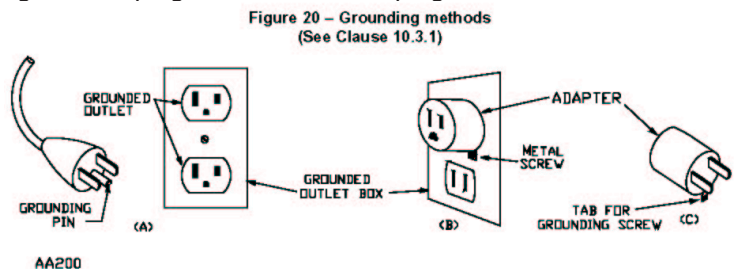
SAVE THESE INSTRUCTIONS

GROUNDING INSTRUCTIONS - This appliance must be grounded. If it should malfunction or breakdown, grounding provides a path of least resistance for electric current to reduce the risk of electric shock. This appliance is equipped with a cord having equipment grounding conductor and grounding plug. The plug must be inserted into an appropriate outlet that is properly installed and grounded in accordance with all local codes and ordinances.

WARNING: Improper connection of the equipment grounding conductor can result in a risk of electric shock. Check with a qualified electrician or service person if you are in doubt as to whether the outlet is properly grounded.

Do not modify the plug provided with the appliance - if it will not fit the outlet, have a proper outlet installed by a qualified electrician.

This appliance is for use on a nominal 120 - Volt circuit, and has a grounded plug that looks like the plug illustrated in sketch A below. A temporary adapter that looks like the adapter illustrated in sketches B and C may be used to connect this plug to a 2-pole receptacle as shown in sketch B if a properly grounded receptacle is not available. The temporary adapter should be used only until a properly grounded outlet (sketch A) can be installed by a qualified electrician. The green colored ear, lug, or the like extending from the adapter must be connected to a permanent ground such as a properly grounded outlet box cover. Whenever the adapter is used, it must be held in place by a metal screw.



NOTE: In Canada, the use of a temporary adapter is not permitted by the Canadian Electrical Code.

IMPORTANTES CONSIGNES DE SECURITE

L'utilisation d'un appareil électrique demande certaines précautions:

LIRE TOUTES LES INSTRUCTIONS AVANT DE FAIRE FONCTIONNER CET APPAREIL

AVERTISSEMENT: Pour réduire les risques d'incendie, de choc électrique ou de blessure:

1. Ne pas laisser l'appareil sans surveillance lorsqu'il est branché. De brancher lorsque l'appareil n'est pas utilisé et avant l'entretien.
2. Ne brancher qu'à une prise de courant avec mise à la terre. Voir les instructions visant la mise à la terre.
3. Ne pas permettre aux enfants de jouer avec l'appareil. Une attention particulière est nécessaire lorsque l'appareil est utilisé par des enfants ou à proximité de ces derniers.
4. N'utiliser que conformément à cette notice avec les accessoires recommandés par le fabricant.
5. Ne pas utiliser si le cordon ou la fiche est endommagé. Retourner l'appareil à un atelier de réparation s'il ne fonctionne pas bien, s'il est tombé ou s'il a été endommagé, oublié à l'extérieur ou immergé.
6. Ne pas tirer, soulever ou trainer l'appareil par le cordon. Ne pas utiliser le cordon comme une poignée, le coincer dans l'embrasure d'une porte ou l'appuyer contre des arêtes vives ou des coins. Ne pas faire rouler l'appareil sur le cordon. Garder le cordon à l'écart des surfaces chaudes.
7. Ne pas débrancher en tirant sur le cordon. Tirer plutôt la fiche.
8. Ne pas toucher la fiche ou l'appareil lorsque vos mains sont humides.
9. N'insérer aucun objet dans les ouvertures. Ne pas utiliser l'appareil lorsqu'une ouverture est bloquée. S'assurer que de la poussière, de la peluche, des cheveux ou d'autres matières ne réduisent pas le débit d'air.
10. Maintenir les cheveux, les vêtements amples, les doigts et toutes les parties du corps à l'écart des ouvertures et des pièces mobiles.
11. Ne pas aspirer de matières en combustion ou qui dégagent de la fumée, comme des cigarettes, des allumettes ou des cendres chaudes.
12. Ne pas utiliser l'appareil si le sac à poussière ou le filtre n'est pas en place.
13. Mettre toutes les commandes à la position ARRÊT avant de débrancher l'appareil.
14. User de prudence lors du nettoyage des escaliers.
15. Ne pas aspirer des liquides inflammables ou combustibles, comme de l'essence, et ne pas faire fonctionner dans des endroits où peuvent se trouver de tels liquides.
16. Avertissement- Pour réduire les risques de choc électrique, ne pas exposer à la pluie et garder l'aspirateur à l'intérieur.
17. Appareils mis à la terre: "Ne brancher qu'à une prise de courant avec mise à la terre. Voir les instructions visant la mise à la terre.

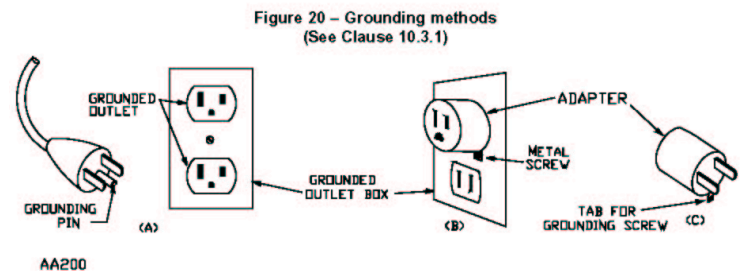
CONSERVER CES INSTRUCTIONS

INSTRUCTIONS VISANT LA MISE À LA TERRE - Cet appareil doit être mis à la terre. En cas de défaillance ou de panne éventuelles, la mise à la terre fournit au courant un chemin de moindre résistance qui réduit le risque de choc électrique. Cet appareil est pourvu d'un cordon muni d'un conducteur de terre et d'une fiche avec broche de terre. La fiche doit être branchée dans une prise appropriée correctement installée et mise à la terre conformément aux règlements et ordonnances municipaux.

AVERTISSEMENT: Un conducteur de terre mal raccordé peut entraîner un risque de choc électrique. Consulter un électricien ou un technicien d'entretien qualifié si vous n'êtes pas certain que la prise est correctement mise à la terre. Ne pas modifier la fiche fournie avec l'appareil - si elle ne peut être insérée dans la prise, faire installer une prise adéquate par un électricien qualifié.

Cet appareil est destiné à un circuit de 120 V et est muni d'une fiche de mise à la terre semblable à celle illustrée par le croquis A de la figure. S'assurer que l'appareil est branché à une prise de courant ayant la même configuration que la fiche. Aucun adaptateur ne devrait être utilisé avec cet appareil.

La mise à la terre selon les croquis B et C n'est pas permise au Canada.



SYCLONE™

www.aramsco.com