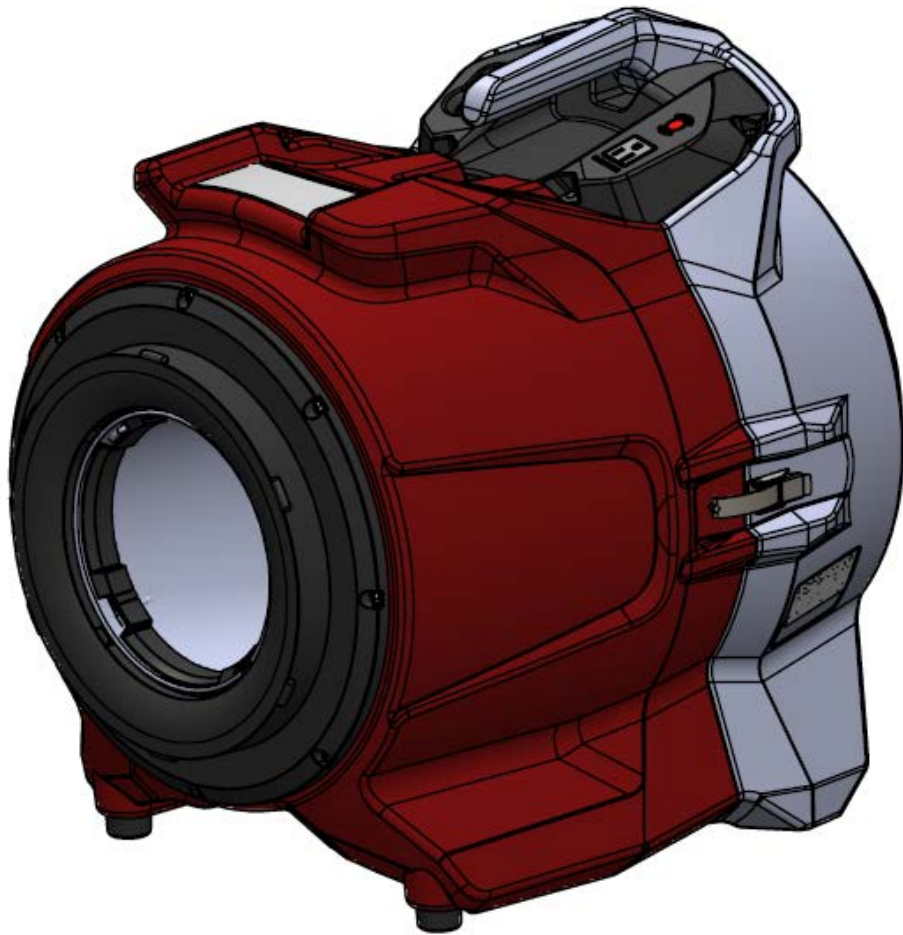
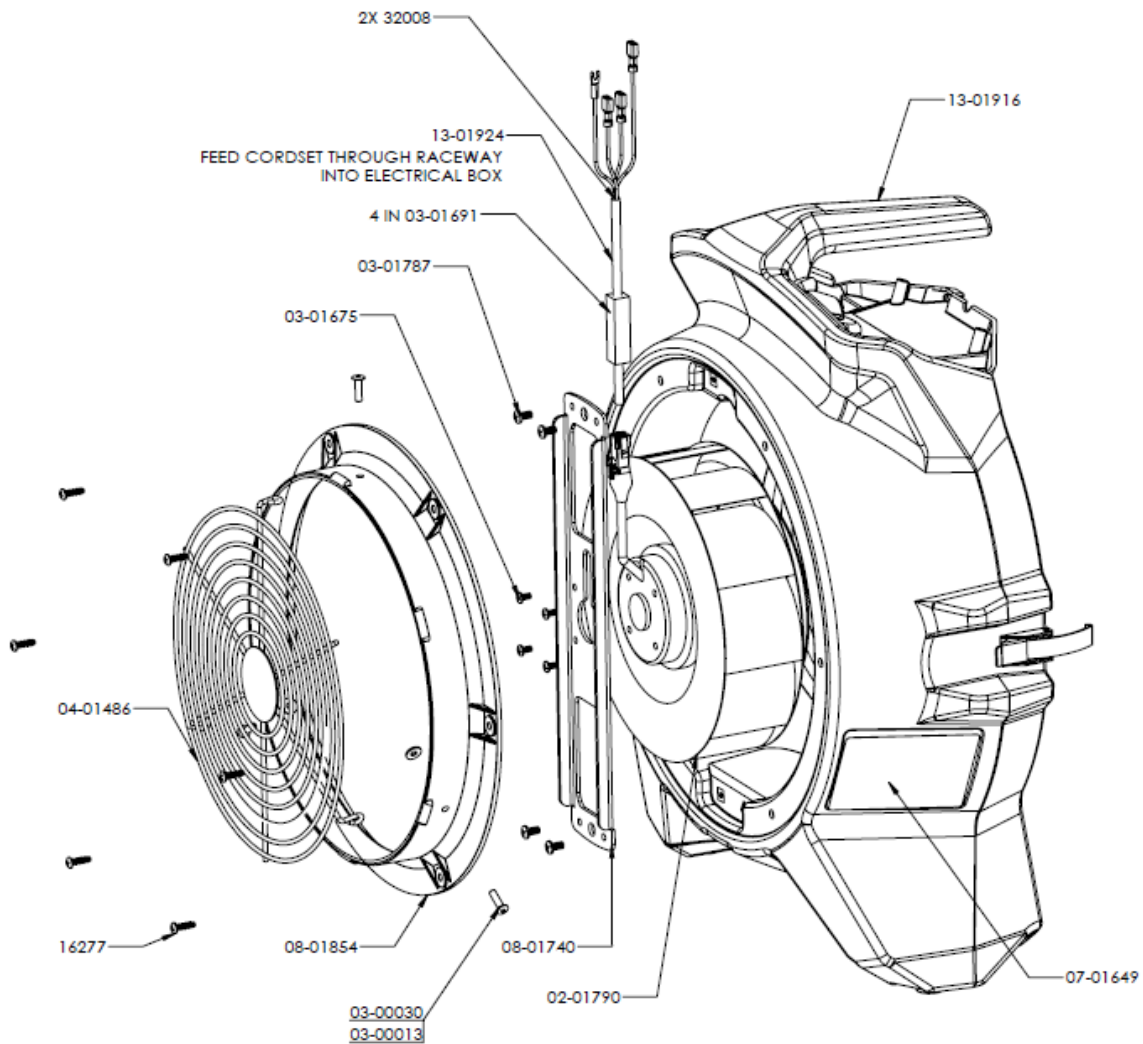
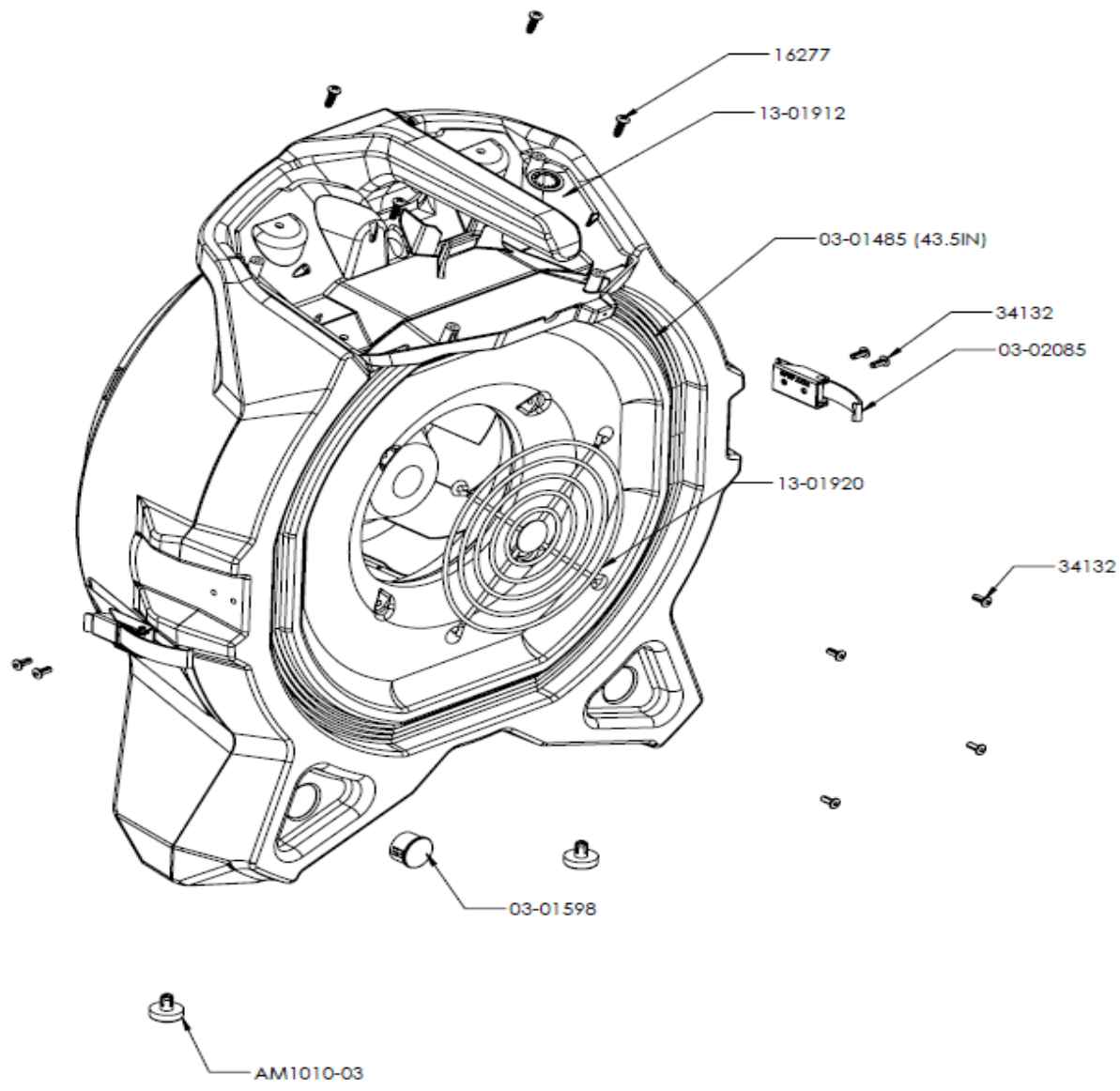


CFM400
AIR SCRUBBER

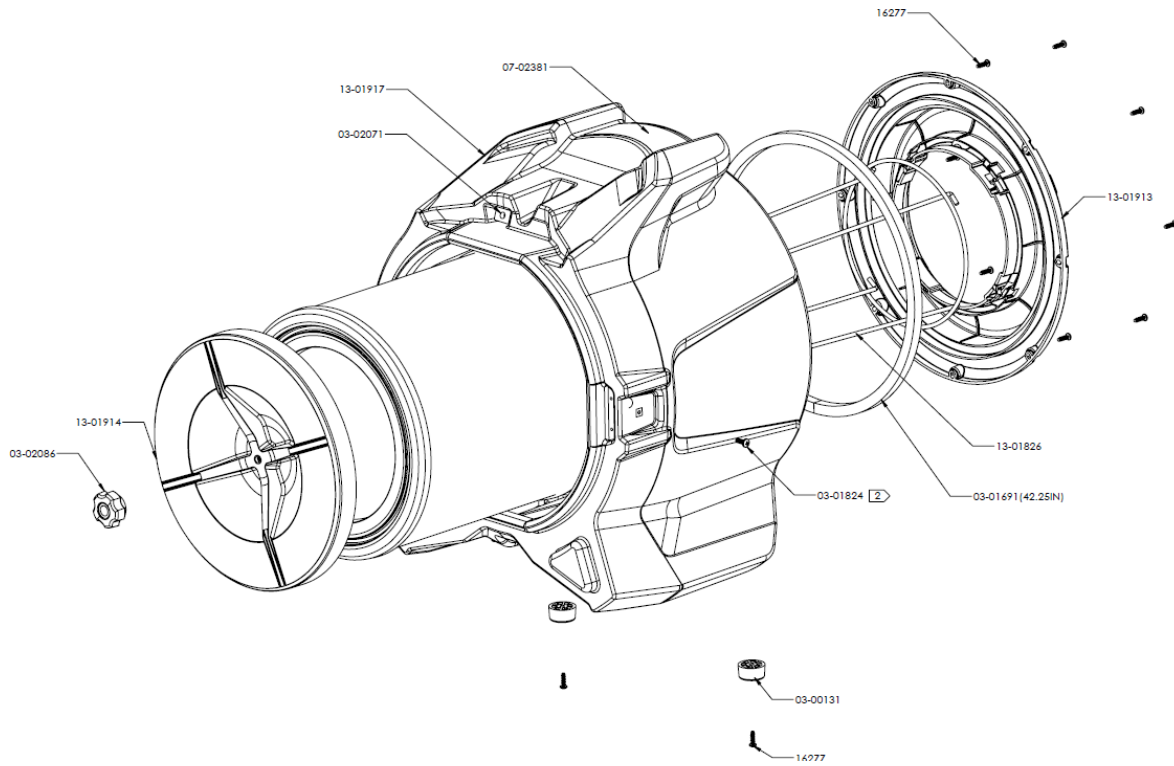




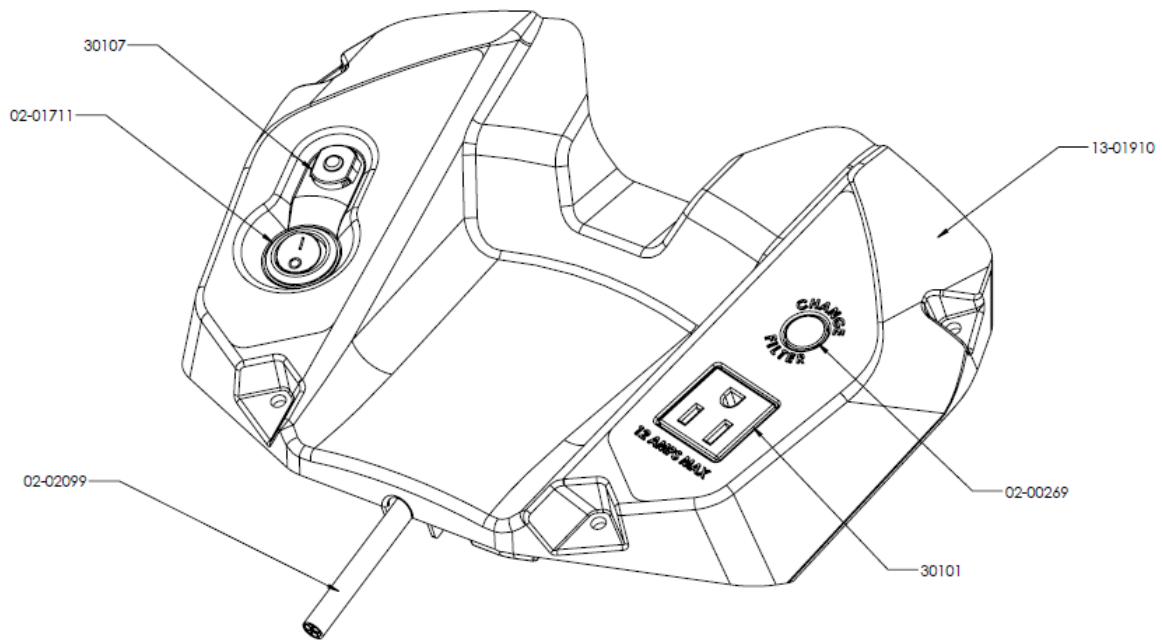
PART NO	QTY.	DESCRIPTION
02-01790	1	BLOWER ASSY – MOTORIZED IMPELLER 115V
03-00013	3	WASHER – 3/16 RIVET .19 ID X .47 OD X .05 ZP
03-00030	3	RIVET – 3/16 X 1/2 AL/AL BLK ANOD
03-01675	4	SCREW – M4 X 8MM PHP NYLOC ZP
03-01691	4 IN	GASKET – 1/2 X 1/2 PVC PSA
03-01787	4	SCREW – M5 X 10MM PHP ZP
04-01486	1	GRILL – OUTLET
07-01649	1	LABEL – WARNING
08-01740	1	BRACKET – MOTORIZED IMPELLER GALV STL
08-01854	1	DUCT RING – 12 IN DIA ABS BLK
13-01916-09	1	HOUSING – BLOWER POLYETHYLENE CFM400 FLINT GRAY
13-01924	1	CORD SET – CFM400
16277	6	SCREW HI-LO #10-16 X 5/8 – PAN-HD – PHIL DR BLK ZINC
32008	2	TIE – STRAP NYLON 6 IN



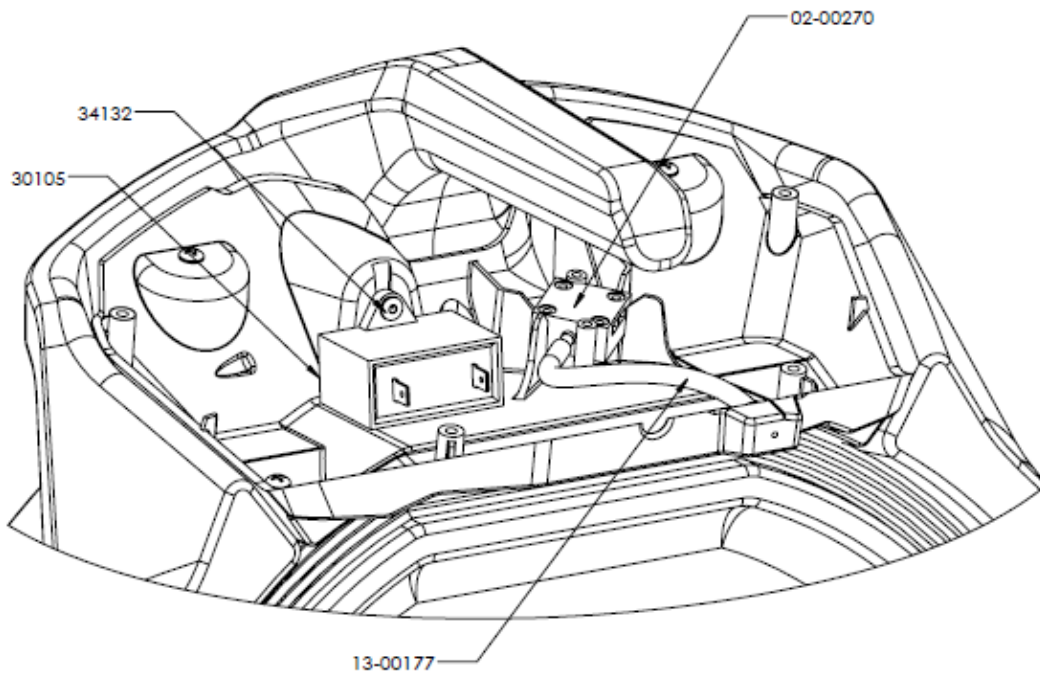
PART NO	QTY.	DESCRIPTION
03-01485	43.5 IN	GASKET - .625 X .375 WITH RIBS EDPM PSA
03-01598	1	PLUG - HOLE .88 DIA X .25 NYLON BLK
03-02085	2	LATCH - DRAW OVER CENTER STL ZP
13-01912	1	ENCLOSURE - ELECTRICAL BOX BOTTOM CFM400
13-01920	1	GRILL - INLET PC GL BLK
16277	4	SCREW HI-LO #10-16 X 5/8 - PAN-HD - PHIL DR BLK ZINC
34132	8	RIVET - 5/32 X 1/4 TRI FOLD AL/AL BLK
AM1010-03	2	FOOT - ROUND PUSH MOUNT .83 OD X .24 RUBBER BLK



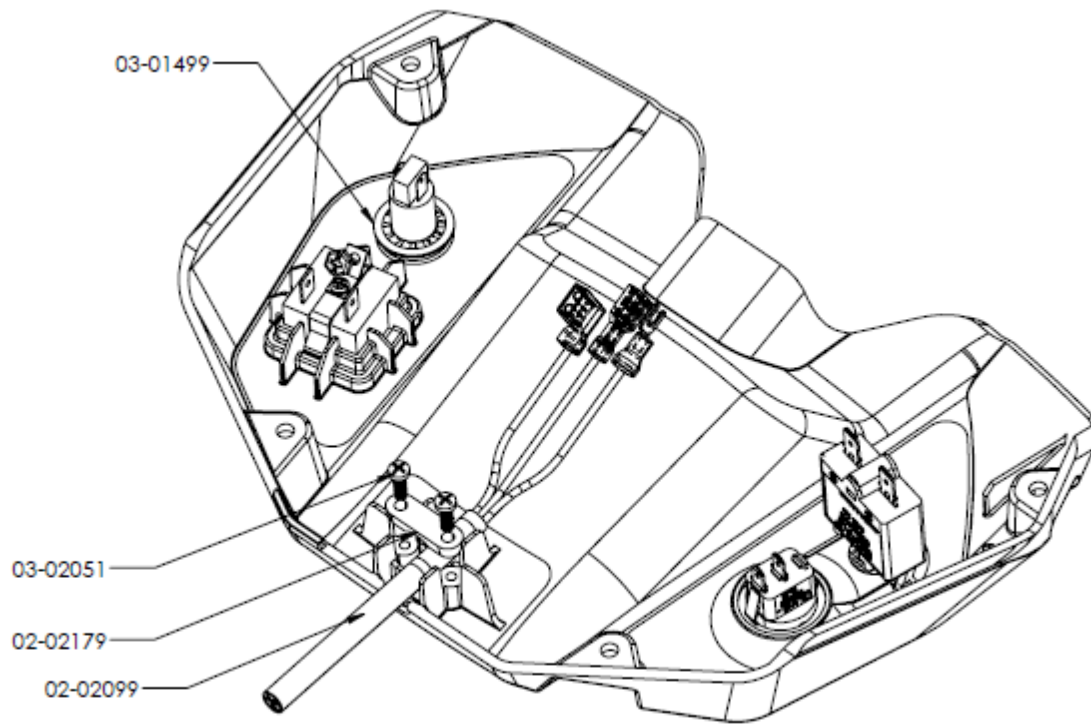
PART NO	QTY.	DESCRIPTION
03-00131	2	FOOT – ROUND 3/16 ID X 1.25 OD X 5/8 RUBBER BLK
03-01691	42.25	GASKET – 1/2 X 1/2 PVC PSA
03-01824	2	SCREW – MACH M5-0.8 X 14MM PHP ZP
03-02071	1	GASKET – PRESSURE DIFFERENTIAL
03-02086	1	KNOB – M6 INTERNAL THREAD
13-01826	1	MOUNT – FILTER WIRE FORM ZP STL VELO
13-01913	1	INLET RING – 12IN DUCT 8IN INLET
13-01914	1	CAP – FILTER RETAINER
13-01917	1	HOUSING - FILTER POLYETHYLENE CFM400 FISHER BLUE
13-01917-08	1	HOUSING - FILTER POLYETHYLENE CFM400 RED
13-01917-10	1	HOUSING - FILTER POLYETHYLENE CFM400 LAGOON BLUE
16277	10	SCREW HI-LO #10-16 X 5/8 – PAN-HD – PHIL DR BLK ZINC



PART NO	QTY.	DESCRIPTION
02-00269	1	LIGHT – INDICATOR 125V NEON RED
02-01711	1	SWITCH – ROCKER SPST ROUND
02-02099	1	POWER CORD ASSY – 14/3 SJTW 5-15P 16FT
13-01910	1	ENCLOSURE – ELECTRICAL BOX COVER
30101	1	RECEPTACLE – SNAP IN 5-15R BLK
30107	1	CIRCUIT BREAKER – 12A THERMAL SNAP IN

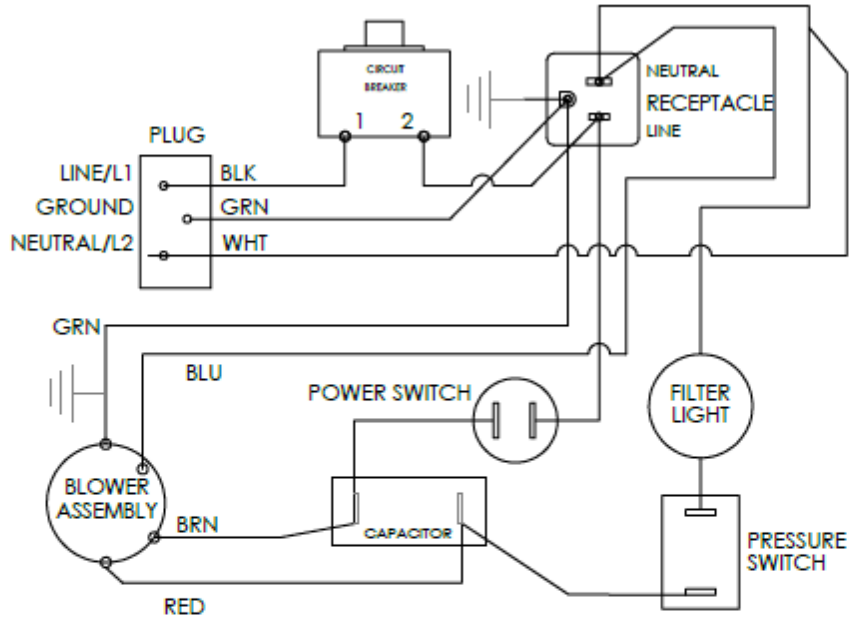


PART NO	QTY.	DESCRIPTION
02-00270	1	SWITCH – PRESSURE DIFFERENTIAL 1.0 IN H2O
13-00177	6 IN	TUBING - .125 ID X .25 OD CLEAR VINYL
30105	1	CAPACITOR – 16MFD 250V W/MTG BRKT
34132	1	RIVET – 5/32 X 1/4 TRI FOLD AL/AL BLK



PART NO	QTY.	DESCRIPTION
02-02099	1	POWER CORD ASSY – 14/3 SJTW 5-15P 16FT
02-02179	1	CLAMP – CABLE STRAIN RELIEF
03-01499	1	WASHER – 1/2 INTERNAL TOOTH COPPER
03-02051	2	SCREW - #6 X 1/2 HI-LO PHP ZP BLK

CFM400 - 115V 60HZ WIRING DIAGRAM



WIRING COLOR CODES

BLK = BLACK	WHT = WHITE
GRN = GREEN	BRN = BROWN
RED = RED	BLU = BLUE
YEL = YELLOW	
GRN/YEL = GREEN/YELLOW	
BNW = BROWN/WHITE	