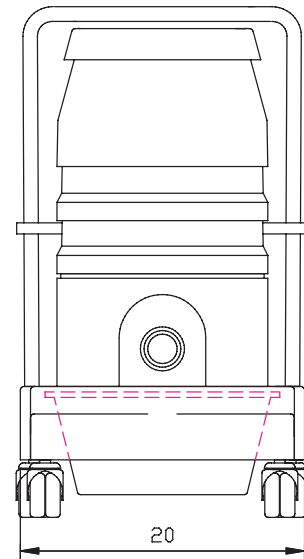
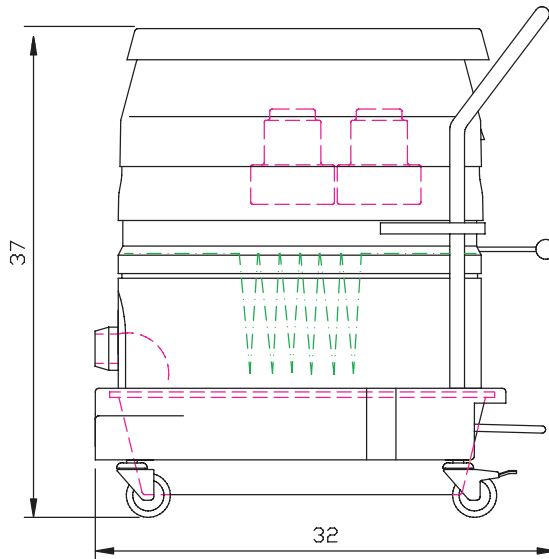


Intermittent Duty Vacuum

THE RED LINE WS2220



THE RED LINE SERIES



WS2220 Standard Specifications

- Two 3.2 HP 1200 Watt Motors
- 110 Volt, Single Phase, 60 Hz
- 13 ft² MicroClean Filter with Manual Shaker System
- 2" Inlet Connection with Aluminum Cast Deflector
- Standard "Acustek" Motors
- 9 Gallon, Foot Lever Actuated Dustpan
- Counterbalanced Base with 3" Heavy Duty Double Casters
- Compression Cast Composite Modular Housing



Base Price¹: WS2220 - Call for pricing

ADDER	DESCRIPTION
AR	28 ft ² MicroClean Filter with Manual Shaker ¹
BR	40 ft ² HEPA Filter with Minihelic ¹
35230R	Active Charcoal Filter Assembly, 20 lbs. of media ²
9852R	Motorized Filter Shaker with Switch, 110 Volt ²
18630R	Reverse Pulse with Electronics & Pressure Gauge ²
25143	Minihelic for Filter Monitoring ²
1302120	Extended Caster Assembly with Two 6" Swivel & Two 6" Rigid Casters with Brakes ²
M	240 Volt, Single Phase Motor ¹

¹ - RL, ²-ADD