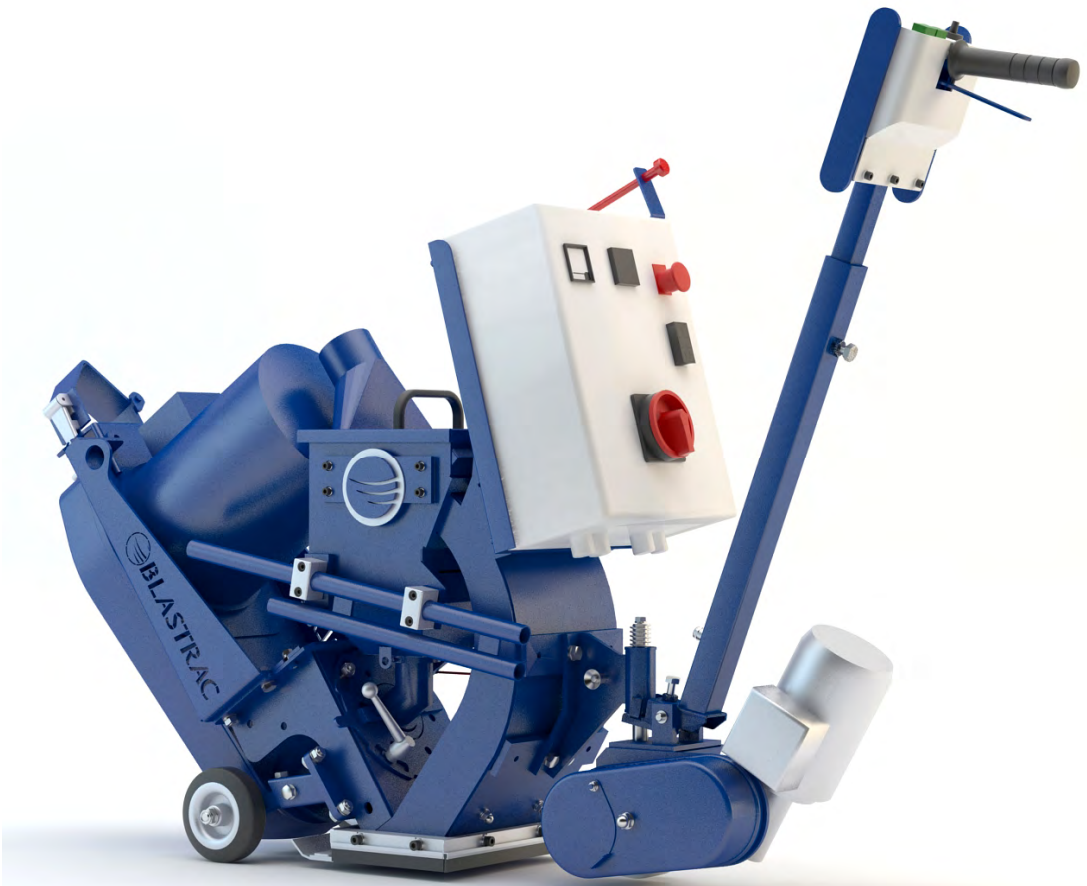




1-8DPS Global

1-8DPS30
1-8DPS55
1-8DPS75
Version 1.3



EC DECLARATION OF CONFORMITY

in accordance with Appendix II sub A of Directive 2006/42/EC

BLASTRAC B.V.

Utrechthaven 12
NL - 3433 PN NIEUWEGEIN
Tel: 0031 (0)30 601 88 66
Fax: 0031 (0)30 601 83 33
Info@Blastrac.nl
The Netherlands

Declare under our sole responsibility that the machine as described below
Conforms with the Health and Safety requirements of the European Directive
of the machine Safety.

In case of changes to the machine without our written authorization this declaration loses
its validity.

Model: *BLASTRAC 1-8DPS Global* **Serial number:**

1. satisfies the conditions set out in the Machine Directive (Directive 2006/42/EC);
Low voltage directive (2006/95/EC, as last amended; EMC directive 2004/108/EC,
as last amended)
2. satisfies the following harmonized standards:
NEN-EN 349, NEN-EN 418, NEN-EN 294 and NEN-EN 60204

Nieuwegein



Michiel Kalisvaart



Index

1. Spare parts	04
2. Maintenance box	12
Contact	



1. Spare parts

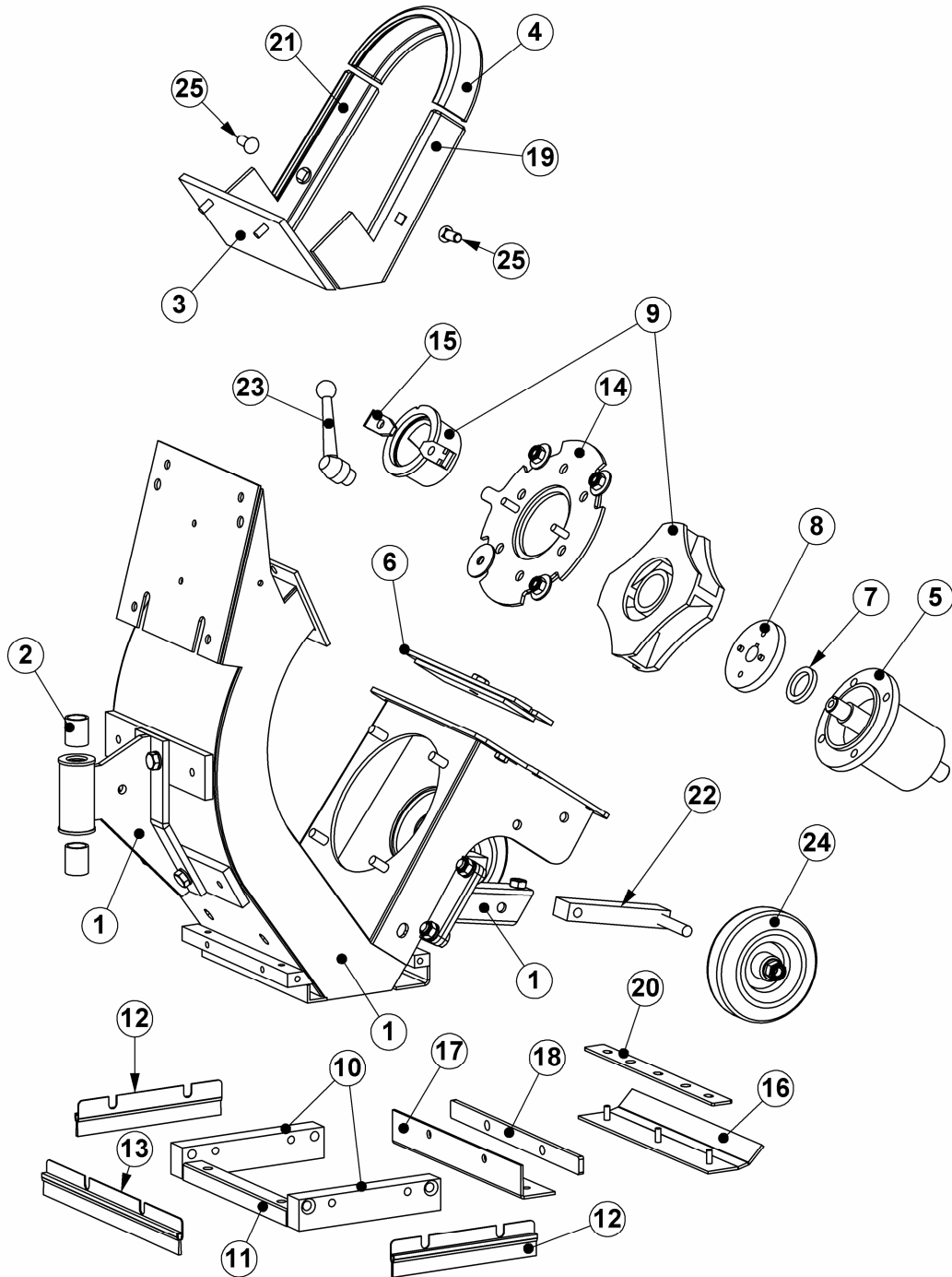


Fig. 01

Fig. 01

Item	Part number	Description	Remarks	Qty.
1	B21001	Blasthousing		1
2	004587	Oilite bush		2
3	B21009	Plenum bottom liner		1
4	B21044	Top liner		1
5	979085	Bearing unit		1
6	B21008	Blasthousing cover		1
7	976317	Felt seal		1
8	976310	Hub		1
9	B21637	Tune up kit 6 1/2"		1
10	969780	Side magnet		2
11	969763	Front magnet		1
12	001624	Side brush		2
13	001623	Front brush		1
14	E06437	Adjustable blastwheel cover		1
15	E06148	Cage clamp		1
16	969212	Skid seal		1
17	004573	Skid seal		1
18	971427	Skid retainer		1
19	969580	Side liner LH		1
20	971428	Skid retainer		1
21	969581	Side liner RH		1
22	969217	Rear wheel bar		2
23	E06921	Clamp lever M10		1
24	974963	Wheel		2
25	969586	Liner screw M10x25		2

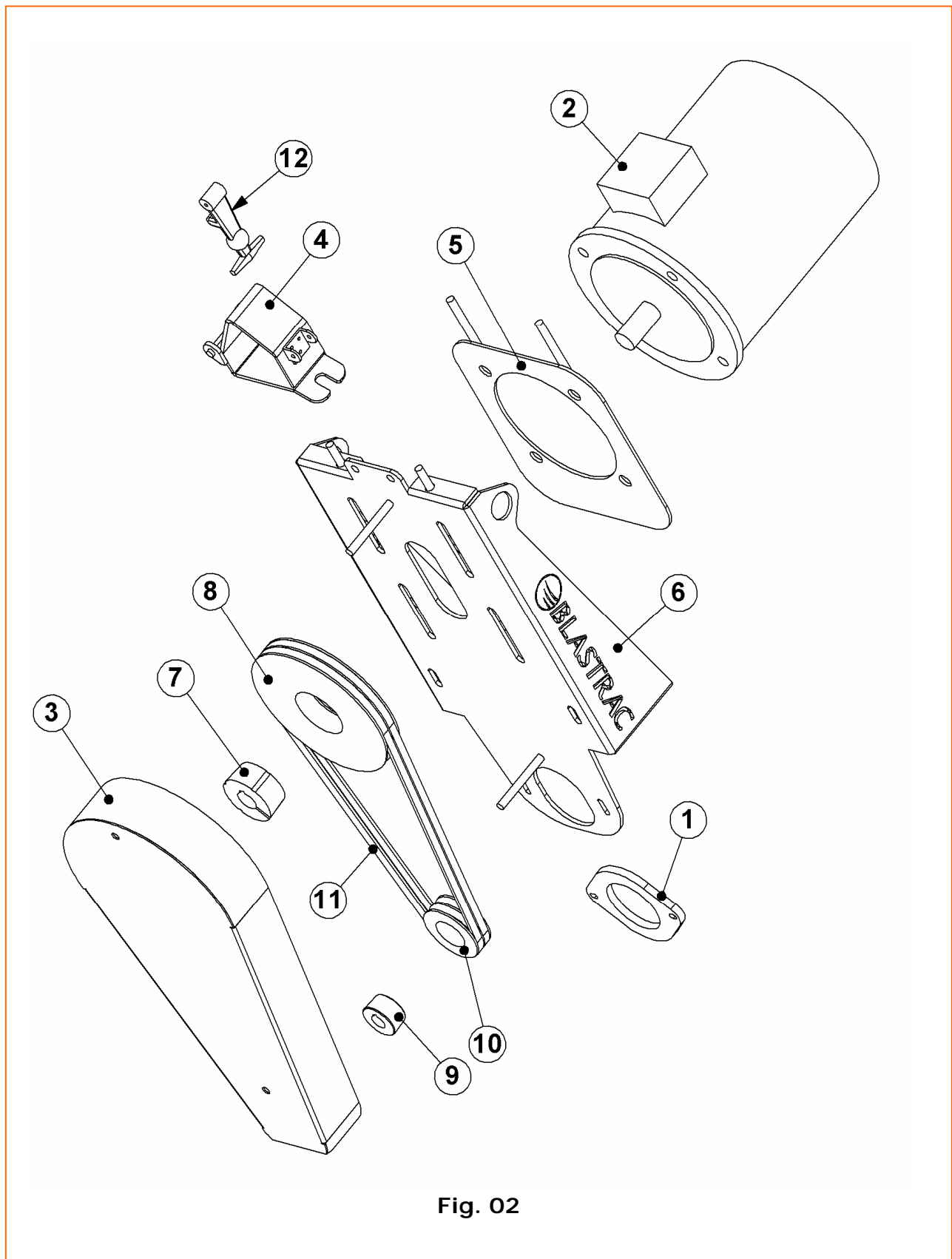


Fig. 02

Fig. 02

Item	Part number	Description	Remarks	Qty.
1	E06434	Dust cover	All types	1
2	E03034	3 kW motor	1-8DPS30 up to serial nr. 9428B	1
	E03034-IE3	3 kW IE3 motor	1-8DPS30 Serial nr.9438B and up	1
	E06360	5.5 kW motor	1-8DPS55	1
	E06118	7.5 kW motor	1-8DPS75	1
3	E06387	Belt guard	1-8DPS30 Serial nr.9438B and up & 1-8DPS55 & 1-8DPS75	1
	E06939	Belt guard	1-8DPS30 up to serial nr. 9428B	1
4	E06392	Hose clamp	All types	1
5	E06394	Fill up plate blast motor	1-8DPS30 Serial nr.9438B and up & 1-8DPS55 & 1-8DPS75	1
	E03028	Fill up plate blast motor	1-8DPS30 up to serial nr. 9428B	1
6	E06398	Motor bracket	1-8DPS30 Serial nr.9438B and up & 1-8DPS55 & 1-8DPS75	1
	E06399	Motor bracket	1-8DPS30 up to serial nr. 9428B	1
7	E10415	Taper lock	1-8DPS30 Serial nr.9438B and up & 1-8DPS55 & 1-8DPS75	1
	E06937	Taper lock	1-8DPS30 up to serial nr. 9428B	1

8	E06160	Pulley	All types	1
9	E03518	Taper lock	1-8DPS30 50&60Hz & 1-8DPS55 & 1-8DPS75 50 Hz	1
	E00629	Taper lock	1-8DPS55 & 1-8DPS75 60 Hz	1
10	976659	Pulley	1-8DPS30 50&60Hz Serial nr. 9438B and up & 1-8DPS55 & 1-8DPS75 50 Hz	1
	E00620	Pulley	1-8DPS55 & 1-8DPS75 60 Hz	1
11	E06131	V-belt	1-8DPS30 50&60Hz Serial nr.9438B and up & 1-8DPS55 & 1-8DPS75 50 Hz	2
	E06182	V-belt	1-8DPS55 & 1-8DPS75 60 Hz	2
	E06938	V-belt	1-8DPS30- 50 & 60Hz up to serial nr. 9428B	2
12	500-1195	Rubber latch assy	All types	1

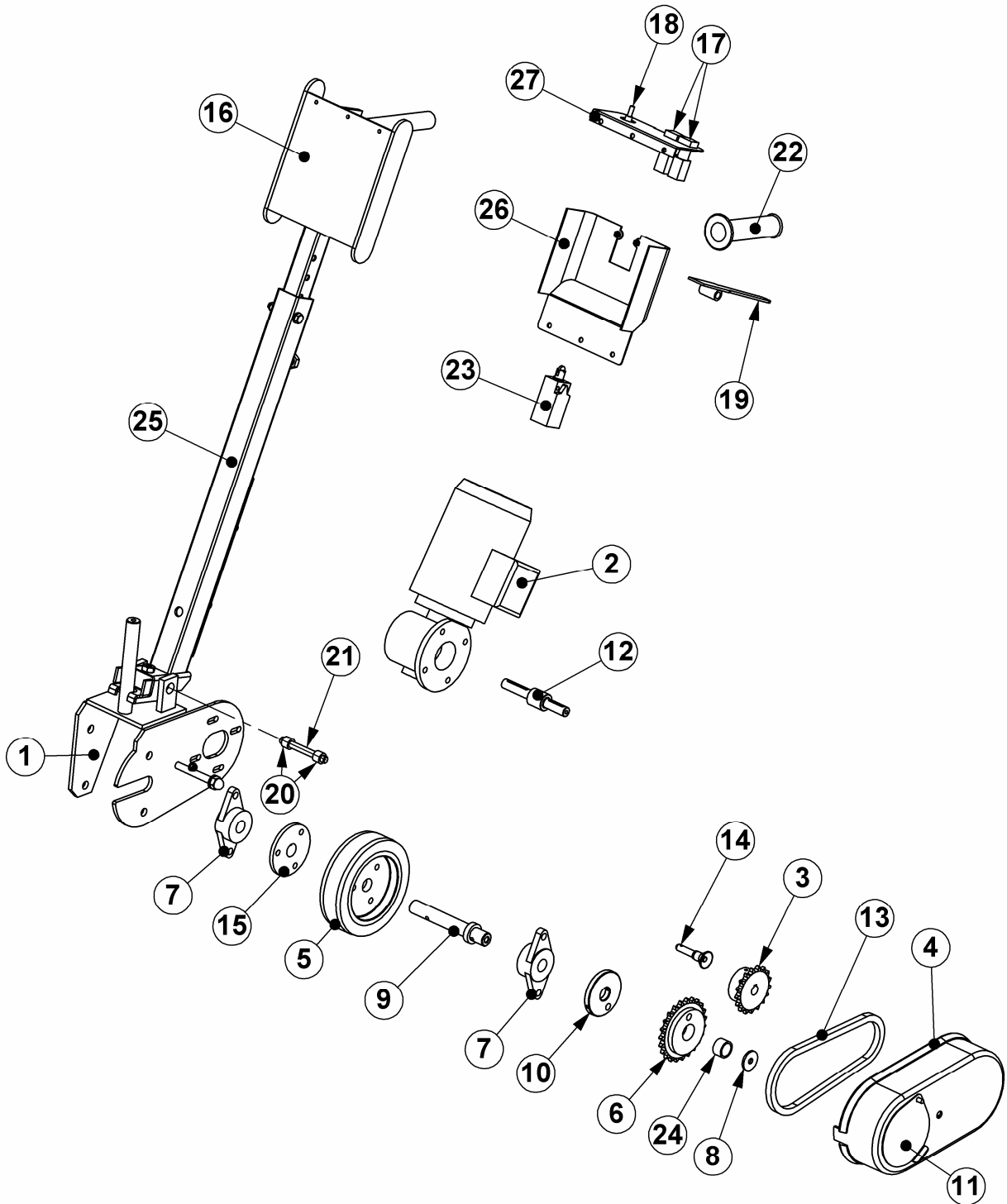


Fig. 03

Fig. 03

Item	Part number	Description	Remarks	Qty.
1	E03024	Drive motor bracket		1
2	E03026	Drive motor		1
3	979076	Drive motor sprocket		1
4	979067	Chain guard		1
5	969409	Drive wheel		1
6	979077	Drive sprocket		1
7	976818	Bearing		2
8		Washer		1
9	971621	Drive shaft		1
10	970015	Drive plate		1
11	976323	Cover for drive pin		1
12	E03035	Drive shaft		1
13	E00237	Chain 1/2" ISO		0.56M
14	478198	Quick release pin		1
15	970016	Wheel plate		1
16	E06403	Handle top part		1
17	E00867	switch		2
18	E00866	Potentiometer		1
19	E00743	Switch lever		1
20	976817	Sleeve bearing bush		2
21	970108	Swivel pin		1
22	453290	Soft grip Ø25		1
23	454796	Limit switch		1
24	979087	Sleeve bearing bush		1
25	E06405	Handle stem		1
26	E00740	Control box		1
27	E00741	Control box top plate		1

Fig. 04

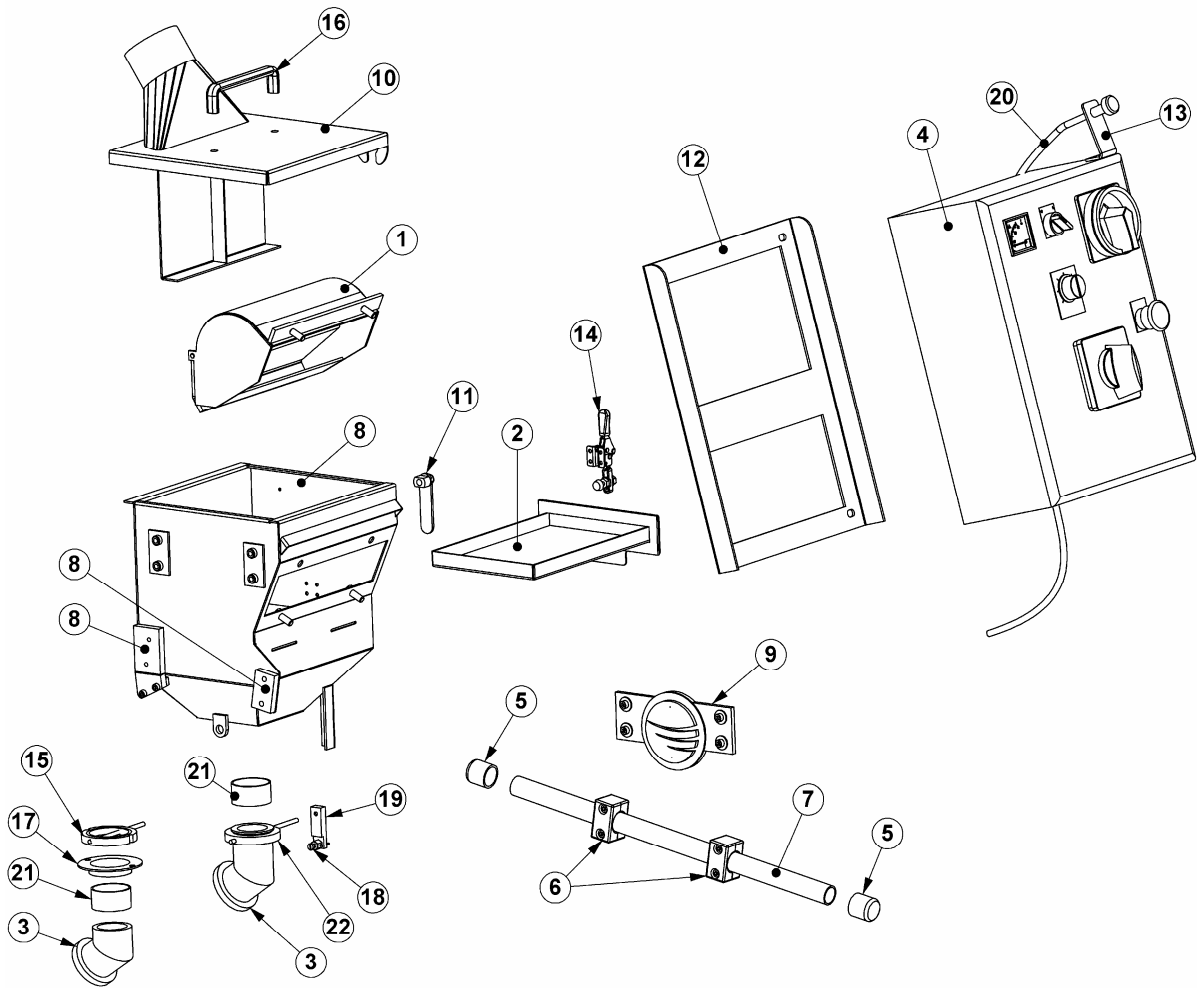


Fig. 04

Item	Part number	Description	Remarks	Qty.
1	B21003	Deflector		1
2	E06595	Separator tray		1
3	967577	Feed spout	1-8DPS30 & 1-8DPS55	1
4	E06142/ 1-8DPS30	Electro box complete 1-8DPS30	1-8DPS30	1
	E01535	Elektro box special 220V/SF	1-8DPS30 220V/SF 50/60Hz	1
	E06142/ 1-8DPS55	Electro box complete 1-8DPS55	1-8DPS55	1
	E06142/ 1-8DPS75	Electro box complete 1-8DPS75	1-8DPS75	1
5	E00368	Cable guide- end		2
6	DG39	Pipe clamp Ø25		2
7	DG41	Cable tube		1
8	E06418	Separator basic		1
9	E06436	Logo Blastrac with mounting strip		1
10	E06419	Separator lid		1
11	E06531	Locking lever		1
12	E06912	Adapter plate elektro box		1
13	B21021	Control cable bracket		1
14	1084	Clamp for separator tray		1
15	973322	Magnetic valve	1-8DPS75	1
16	970385	Handle		1
17	B21035	Adapter magnetic valve	1-8DPS75	1
18	491726-1	Nipple & screw		1
19	959647	Valve lever		1
20	975100	Control cable		1
21	971500	Feed spout seal ring		1
22	969819	Magnetic valve	1-8DPS30 & 1-8DPS55	1

3. Maintenance box

Item	Maintenance box 1-8DPS30(50&60Hz)/55/75 50Hz		Qty.
(only for 1-8DPS30 with serial nr.9438B and up)			
1	E06131	V-belt	2
4 - 25		See list below	

Item	Maintenance box 1-8DPS55/75 60Hz E07006		Qty.
1	E06182	V-belt	2
4 - 25		See list below	

Item	Maintenance box 1-8DPS30 50&60Hz E07007		Qty.
(Only for 1-8DPS30 up to serial nr. 9428B)			
1	E06938	V-belt	2
4 - 25		See list below	

Item	Part number	Description	Remarks	Qty.
4	001030	Metal box		
5	969580	Left liner		
6	969581	Right liner		
7	B21044	Top liner		
8	B21637	Tune-up kit 6"		
9	975100	Abrasive control cable		
10	004573	Rear seal rubber		
11	969212	Skid seal		
12	001624	Side brush		2
13	001623	Front brush		1
14	001017	Open-end spanner 10/11		
15	001040	Open-end spanner 13/17		
16	001019	Open-end spanner 17/19		
17	000144	Ratchet spanner 1/2"		
18	000145	Box spanner 8mm		
19	000146	Box spanner 13mm		
20	001043	Box spanner 17 mm		
21	001032	Screwdriver 5,5 x 100		
22	001035	Insulated screwdriver		
23	001056	Water pump pliers		
24	001000	Hammer		
25	001031	Safety glasses		

Headquarter

*Blastrac BV The Netherlands
Utrecht haven 12
NL - 3433 PN Nieuwegein
Tel: 0031 (0)30 601 88 66
Fax: 0031 (0)30 601 83 33
info@blastrac.nl*

*Blastrac United Kingdom
Unit 2, Outgang Lane, Dinnington
Sheffield, South Yorkshire
GB – S25 3QU, England
Tel: 0044 (0) 1909 569 118
Fax: 0044 (0) 1909 567 570
info@blastrac.co.uk*

*Blastrac France
ZI
29, Avenue des Temps Modernes
F – 86360 Chasseneuil du Poitou
Tel: 0033 (0)5 49 00 49 20
Fax: 0033 (0)5 49 00 49 21
info@blastrac.fr*

*Blastrac Spain
Calle Copernico, 16
Nave 2
E – 28820 Coslada
Tel: 0034 91 660 10 65
Fax: 0034 91 672 72 11
info@blastrac.com.es*

*Blastrac Germany
Mathias Brügggen Straße 144
D – 50829 Köln (Ossendorf)
Tel: 0049 (0) 221 70 90 32 0
Fax: 0049 (0) 221 70 90 32 22
info@blastrac.de*

*Blastrac Poland
Golina, Dworcowa 47a
63-200 Jarocin
Tel: 0048 62 740 40 27
Fax: 0048 62 740 40 27
info@blastrac.pl*

