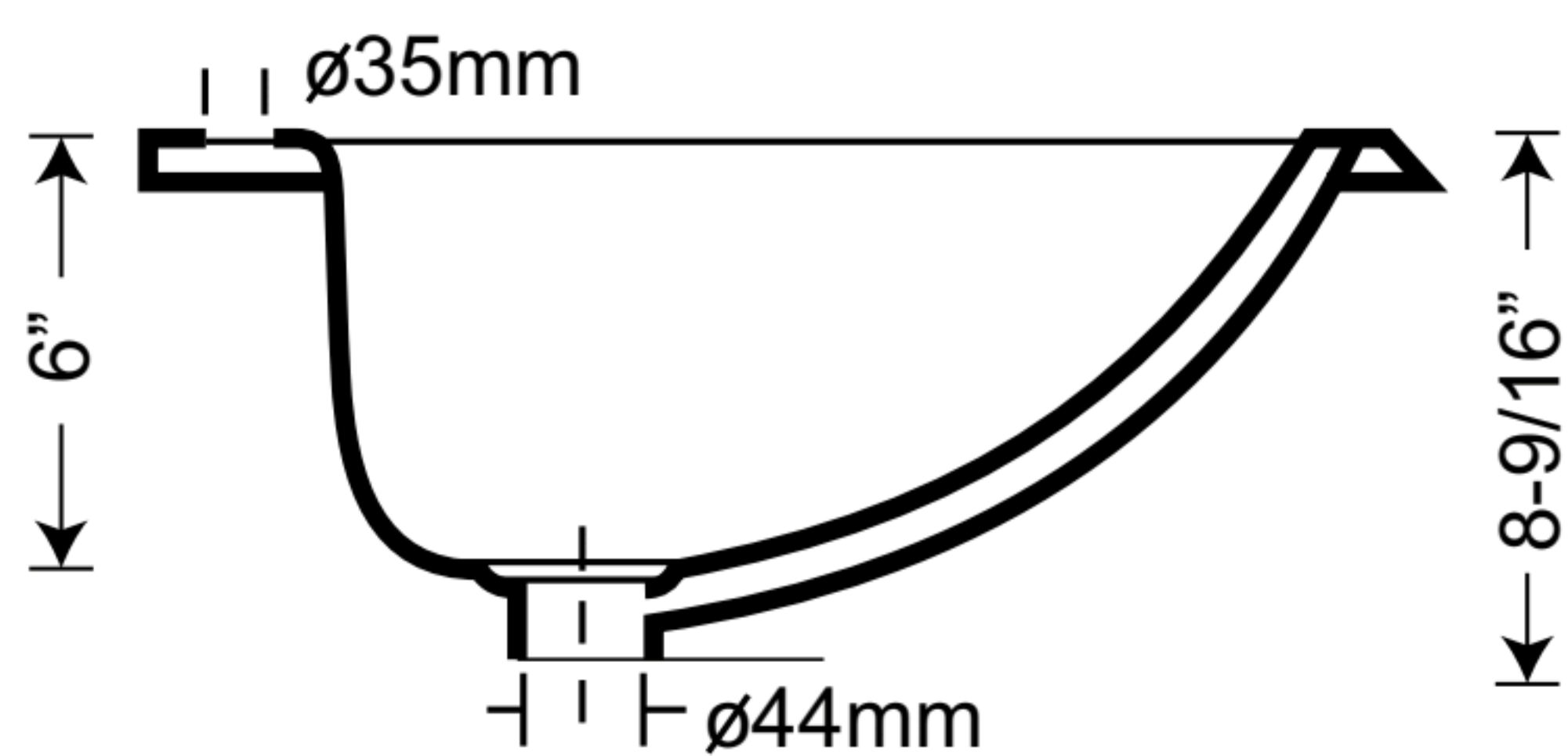
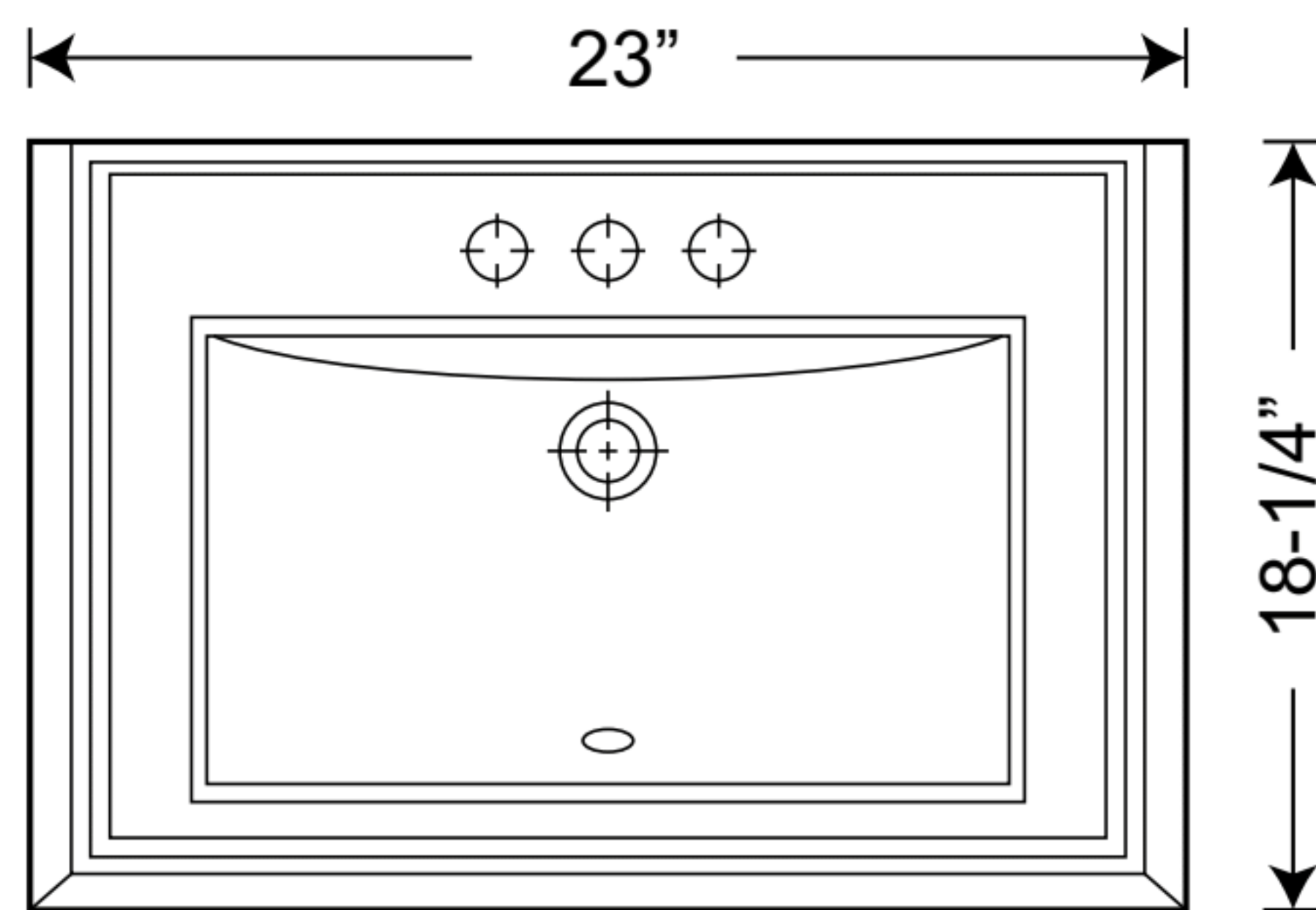


SPECIFICATIONS

- Drop-in / Overmount lavatory sink
- Premium porcelain
- 4" spread faucet holes
- Fits 24" cabinet
- 1 1/2" drain opening
- Template included



PART#	MODEL	COLOR
2648-0311	H-2318-3BK	Black
2640-0414	H-2318-3W	White
2647-0310	H-2318-3B	Biscuit
2649-0312	H-2318-3T	Tan



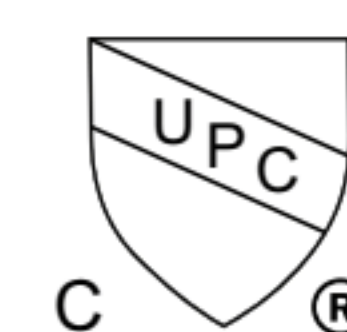
SINK FEATURES



All HIVE sinks receive expert hands-on care under strict quality control throughout every stage of our modern manufacturing process. This ensures a "NO HASSLE" Limited Lifetime Warranty against all manufacturing defects in material and workmanship under normal use.

CODE / STANDARDS COMPLIANCE

Most HIVE sinks meet or exceed the following specifications:
ASME 112.19.3-2008 - IAPMO/UPC listed - CSA B45.4-2008



JOB INFORMATION

JOB NAME: _____

MODEL SPECIFIED: _____ QUANTITY: _____

DATE: _____

ARCHITECT/ENGINEER: _____

CUSTOMER: _____

CONTRACTOR: _____