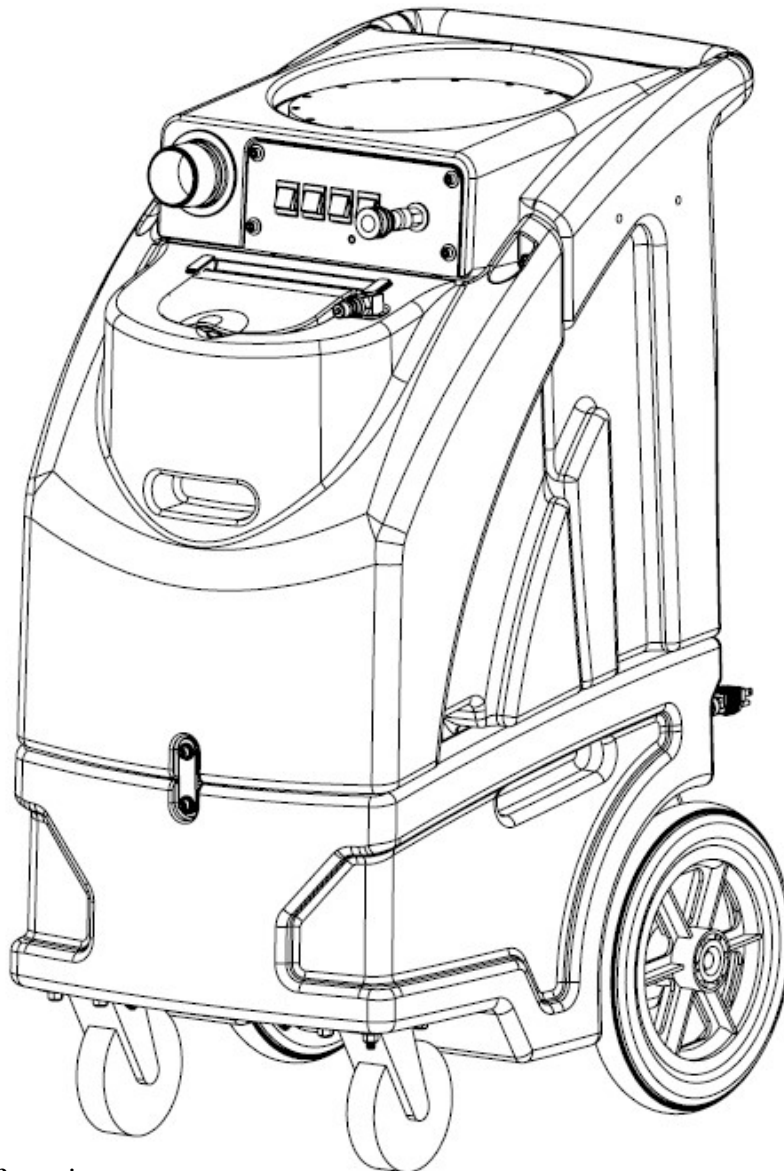


OLYMPUS

Portable Extractor

O100M
O200HM
O3-200HM
O3-500
O500HM
O1200



Hydro Force Manufacturing
4282 South 590 West
Salt Lake City, Utah, 84123
801-268-2673

INTRODUCTION

Congratulations on your purchase of the Olympus portable extractor. The Olympus is designed to give exceptional cleaning performance in a portable machine that combines versatility with ease of transport. Years of experience, engineering, and planning have gone into the design and manufacturing of the Olympus portable. We take a great deal of pride in the Olympus line and our goal is no less than your complete satisfaction.

This manual will provide users with the knowledge required to operate the Olympus portable safely and understand how to properly maintain the machine to ensure the maximum performance level.

All users must read and understand this manual completely before operating the machine. Any questions on operating or servicing this unit should be directed to your nearest Hydro-Force distributor.

This Manual is written for the Olympus portable extractor units manufactured by:

Hydro Force Manufacturing
4282 South 590 West
Salt Lake City, Utah, 84123
801-268-2673



Information in this manual is subject to change without notice and does not represent a commitment on the part of Hydro-Force or its parent or affiliated companies.

Technical Specifications

Olympus Dimensions

Solution Tank Capacity	10 Gallons (approx.)
Recovery Tank Capacity	10 Gallons (approx.)
Dimensions (WxDxH)	19.5" W x 27.25" D x 39.25" H
Wheels	12" Diameter Rear Wheels
Casters	5" Diameter Front Casters

Units at a Glance

The parameters listed below are the Manufacturers published component specifications independent of being integrated into a system.

Model No.	O100M	O200HM	O3-200HM	O3-500	O500HM	O3-500HM	O1200
Weight (lbs)	84 lbs	97 lbs	100 lbs	113 lbs	116 lbs	125 lbs	141 lbs
Vacuum Motors 5.7" Ametek Lamb Mounted in Series	(2) 2 Stage	(2) 2 Stage	(2) 3 Stage	(2) 3 Stage	(2) 2 Stage	(2) 3 Stage	(2) 3 Stage
Vacuum Flow Rate (CFM)	97 CFM	97 CFM	99 CFM	99 CFM	97 CFM	99 CFM	98 CFM
Vacuum Lift (in H2O)	131 in H2O	131 in H2O	188 in H2O	188 in H2O	131 in H2O	188 in H2O	160 in H2O
Solution Pump	100 psi 1.3 GPM	200 psi 2.0 GPM	200 psi 2.0 GPM	500 psi 2.5 GPM	500 psi 2.5 GPM	500 psi 2.5 GPM	1200 psi 2.2 GPM
Heater	-	1750 W	1750 W	-	1750 W	1750 W	-
Auto Fill / Pump Out (APO)	-	-	-	-	-	-	APO
Cord 1: Required Breaker 115VAC 60Hz	15 A	15 A	20 A	20 A	20 A	20 A	20 A
Cord 1: Components on Cord	Vacuums, Pump	Vacuums, Pump	Vacuums	Vacuums	Vacuums, Pump	Vacuums	Vacuums
Cord 2: Required Breaker 115VAC 60Hz	-	15 A	20 A	15 A	15 A	20 A	20 A
Cord 2: Components on Cord	-	Heater	Pump, Heater	Pump	Heater	Pump, Heater	Pump, APO

Electric Components at a Glance

Component	Configuration	Part #	Amp Draw 115VAC, 60Hz
Vacuum	2 Stage	1600-1253	8.6 A with 2" orifice
			5.1 A with closed orifice
	3 Stage	A64342	10.4 A with 2" orifice
			6.7 A with closed orifice
Solution Pump	100 psi	1602-2713	1.0 A
	200 psi	1606-5563	1.6 A
	500 psi	1651-3766	5.2 A
	1200 psi	1609-2330	14.3 A
Heater	1750 W	2672-0274	15.2 A
Auto Fill / Auto Pump Out	APO	57360	5 A

Important Safety Information



Use common sense to protect yourself and others while using this equipment.

- Keep pets and children away from the machine when in use.
- Keep all body parts, hair, and loose clothing away from openings and moving parts. Always wear appropriate work clothing and safety equipment when operating unit.
- Use extra care when cleaning on stairs. Wet carpet on stairs can be slippery.
- DO NOT move up or down stairs when tanks are full of water. Drain solution and recovery tanks, and secure latches before moving unit up or down stairs. Lift using only the machine handles designed & designated for moving and lifting.
- Water may be spilled, drip, or be exhausted from vacuums during operation. Place unit in area where water will not cause damage or use drop cloth to protect surfaces.



THIS MACHINE IS AN ELECTRICAL APPLIANCE. CARE MUST BE TAKEN TO REDUCE THE RISK OF ELECTRICAL SHOCK.

READ AND UNDERSTAND ALL INSTRUCTIONS BEFORE OPERATING.

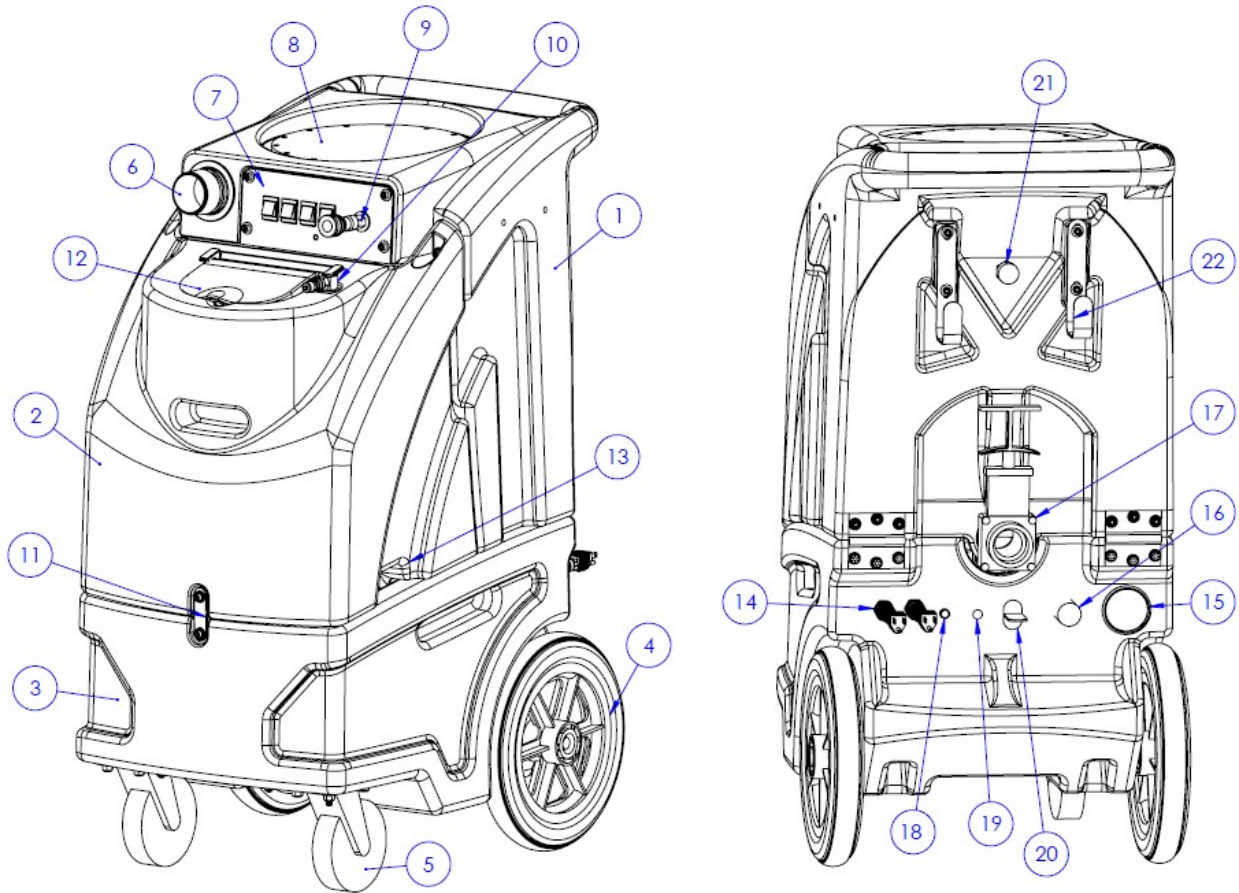
- To reduce the risk of property damage or injury, repairs to electrical systems should only be performed by experienced technicians. Contact your distributor for assistance. **Unplug machine power cord from outlet before performing any repairs on the extractor.**
- This machine shall be grounded while in use to protect the operator from electric shock and is provided with a three-conductor cord and a three-contact grounding type attachment plug to fit the proper grounding type receptacle. The green (or green and yellow) conductor in the cord is the grounding wire. Never connect this wire to other than the grounding pin of the attachment plug.
- DO NOT use a plug adapter with this machine.
- The power cords supplied with this machine are properly sized to handle the electrical load of this machine and properly grounded as described above. Any extension cords used with this machine must be similarly sized with an equal or greater load rating and grounded to assure safe operation. A properly sized or rated GFCI protected cord can be used for additional protection.
- DO NOT use Olympus outdoors, in standing water or on wet surfaces. Do not store in wet conditions. If extractor is leaking, unplug machine power cords from outlets before approaching or touching machine.
- DO NOT unplug power cord by pulling on the cord. Grasp the plug end when unplugging the cord. Do not pull the extractor by the cord. If cord or plug is damaged, do not use cord. Replace with new cord or repair as needed before use.
- An overloaded circuit may not always trip circuit breaker. Reduced voltage to a machine on an overloaded circuit will prevent components from operating properly.

NOTICE

THIS MACHINE MUST BE PROTECTED FROM CONDITIONS WHICH MAY DAMAGE THE PUMP, TANK, HOSES AND OTHER COMPONENTS.

- **Freezing of water in this machine will cause serious damage.** The Olympus, solution hoses, and tools must be protected from freezing temperature. Store, transport, and use this equipment only in temperatures well above freezing. (32°F or 0°C). If you suspect the unit has been frozen, do not plug in or turn on machine until you are sure it has thawed completely.
- If the equipment cannot be stored or transported in a warm environment, it can be guarded from freezing by running an anti-freeze solution through the incoming water lines, chemical feed system, solution pump, solution lines, tools and pump-out pump. The machine may have been filled at the factory with anti-freeze to eliminate damage during shipment in cold weather, if so it will have a label on the tank lid indicating that anti-freeze is in the system.
 - Anti-freeze solution must be completely flushed from the machine before use.
- DO NOT use Olympus to pick up flammable or combustible materials or use in areas where these materials may be present.
- Solvent-based or water-based solutions containing certain types of solvents or high solvent percentages may damage the pump, hoses, and other components. Do not assume chemical compatibility. Contact your distributor or Aramsco if you have questions regarding the compatibility of your chemicals with the machine.
- DO NOT allow solution in clean water tank to exceed temperatures above 130°F.
- Rinse the solution tank, chemical system, and pump with fresh water after each day's use.
- DO NOT allow pump to run dry. Always maintain adequate solution level to supply solution pump.
- High pressure hoses may rupture if worn or damaged. Do not use HP solution hoses if hose covering is cut, bulging, or otherwise damaged. Examine HP solution hoses daily and replace or repair hoses as needed.
- Use of a defoamer in recovery tank will help eliminate foam build-up during cleaning and prevent foam/moisture from entering vacuums.

Olympus Features



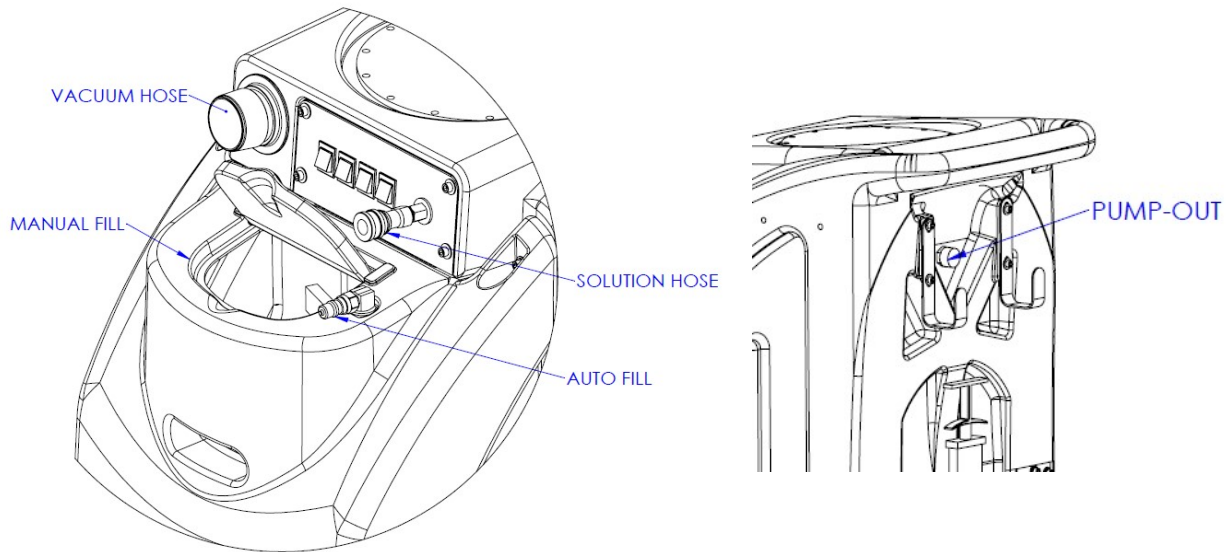
1	Waste Tank	12	Solution Tank Lid
2	Solution Tank	13	Base Vacuum Air Intake
3	Base	14	Power Cords
4	12" Rear Wheels	15	Pressure Gauge *
5	5" Front Casters	16	Pressure Regulator *
6	Vacuum Hose Attachment	17	Waste Tank Drain Gate Valve
7	Switch Plate	18	Dual Circuit Indicator
8	Waste Tank Lid	19	Circuit Breaker *
9	Solution Line Quick Connect	20	Pump Priming Lever *
10	Auto Fill Quick Connect	21	Pump-Out Hose Connection *
11	Base Access Bracket	22	Cord Wrap Bracket
*Feature availability varies by model			

SET UP AND OPERATION:

Electrical Specifications:

The Olympus is equipped with power cords and is designed to work with an 115VAC, 60hz, 15 or 20 amp circuits. These outlets are commonly found in homes and commercial buildings.

If your machine has two cords, plug into separate outlets from different circuit breakers. Check that the Dual Circuit Indicator green light comes on, showing the two cords are on separate breakers.



Water Supply

Use either the manual fill or the auto fill method (if equipped) to fill the solution tank with water. Hot water can be used as long as the temperature does not exceed 130°F. **DO NOT** run out of water while using this machine, this can damage the pump,

Manual Fill:

Pour up to 10 gallons of water into the solution tank, lift the lid and pour in the manual fill opening.

Auto Fill and Pump Out:

Connect the unit to the water source using a Water Supply Hose. The garden hose connection attaches to the water source, connect the hose to the Olympus using Male Quick Connect on the front of the unit.

Auto Pump-Out (If Equipped)

Remove the cap from the pump-out outlet fitting on the back of the machine. Connect the pump-out hose to the outlet fitting. Place the other end of the hose in a commode or drain connected to the sanitary sewer system. Secure hose end to prevent movement during pumping. Use defoamer in recovery tank to prevent foam build-up during cleaning and to keep foam/moisture from entering vacuums.

Connect Solution Hose

Connect the high pressure solution hose to the Olympus using the female quick connect on the front of the switch plate. The solution hose is then attached to the cleaning tool.

Connect Vacuum Hose

Connect the vacuum hose to the unit using the 2" Flash Cuff connector included on the vacuum hose supplied with the Olympus. The vacuum hose is then attached to the cleaning tool.

Switching on the Olympus

1. With fluid in the solution tank switch on the Pump. Open the valve or trigger on your tool to open the solution line, wait for the pump to prime and for pressure in the solution line. If pump fails to prime see methods below to manually prime the pump.
2. Turn on the Heater (if Equipped). It will take a few minutes for the heater to reach working temperature.
3. Turn on Vacuums
4. Begin Cleaning.

Pump Prime

Pump Prime Lever (if Equipped)

Push down and hold the pump prime lever on the back of the unit. Release the lever when water has filled the pump and wait for the pressure to build in the solution line.

Manual Pump Prime

If the pump does not prime quickly, the vacuum may be used to aid priming:

- Direct the end of a short prime hose (1605-4177 sold separately) into the vacuum barb on the front of the machine. The prime hose, 1605-4177, has a quick connect into the machine on one end and is open on the other.
- Turn on one or both of the vacuum motors.
- Turn on the solution pump.
- Cup a hand around the hose & barb to increase the vacuum suction on the hose.
- When water is flowing out of the hose, direct the hose to the solution tank and turn off the vacuum motors to ensure the flow continues when the vacuum is removed.
- When the flow is steady, turn off the solution pump, remove the hose, and proceed with machine set-up procedures. If the pump still does not prime, or if flow is low or unsteady, check the hose from the solution tank to the pump (as well as the inline filter) for clogging, kinks, or restrictions. Clean or replace hose and/or filter and repeat the priming procedure.

If you are having trouble with the pump, refer to the trouble shooting guide or contact your distributor for advice or assistance.

Pressure adjustment

If Applicable.

When the pump is on and primed, pressure will show on the gauge on the back of the Olympus (for units that have a pressure gauge). The pressure reading on the gauge will drop from its static state when the solution line is open and the tool is spraying. Re-adjust as need for desired running pressure.

- To decrease the pressure, turn the pressure regulator counter-clockwise.
- To increase the pressure, turn the pressure regulator clockwise.

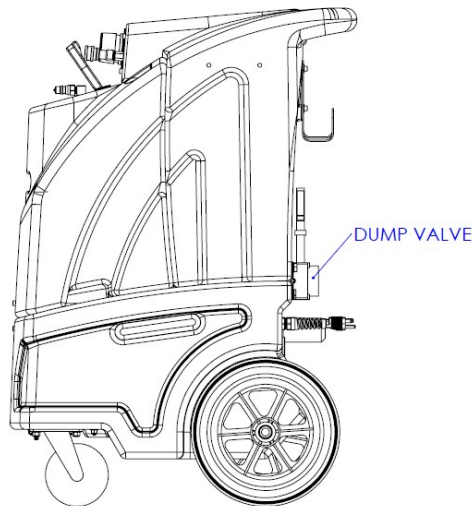
The maximum pressure setting varies by Olympus model and is offered in 100, 200, 500 and 1200 PSI configurations. Working pressures seen in real world environments are generally lower than labeled on the pump.

The pressures labeled on the pumps are a maximum possible pressure they can output at a set flow rate. Jet size and water flow rate on the cleaning tool effects the highest possible pressure rate the pump can output. Smaller jets and lower flow will allow for higher pressure at the tool. Larger jets and higher flow will lower the maximum pressure attained at the tool

Empty Waste Tank

The Waste Tank will automatically shut off the vacuum airflow to the tank when it fills with wastewater. When the waste tank is full, the vacuum float will rise and block the inlet airflow to the tank and loss of vacuum at the tool. When this happens, shut the machine off immediately;

- Turn off the Vacuum switches.
- Turn off the Pump switch.
- Drain the waste tank by lifting the Dump valve on the back of the Olympus.



- Close the dump valve, turn on the Olympus and resume cleaning.

If the Vacuum shutoff is not working properly, refer to the Trouble Shooting guide or contact your distributor for assistance.

If the Pump-Out is not working properly, refer to the Trouble Shooting guide or contact your distributor for assistance.

Heater

If Applicable.

The solution tank needs to be filled with the pump running and primed before the heater is switched on. Running the heater without water will damage the heater core. Allow the heater to heat up for about 5 minutes before starting to spray the tool.

The heat delivered to the tool is dependent on two factors:

- Starting temperature of the water in the tank. Hotter water will require a smaller temperature increase from the heater to reach the maximum temperature. The water temperature in the solution tank cannot exceed 130°F. Flow rate:
- Flow rate at the tool head. The lower the flow rate of the water through the heater, the more time the water will be inside the heater. High water usage and flow rate will not allow the water enough time to be heated and the temperature of the water delivered to the tool will be much lower. The flow rate can be lowered by putting smaller jets in the cleaning tool and by reducing the amount of time the wand is sprayed.

Shutdown procedures

- Turn off all switches.
- If using Auto fill, disconnect the water inlet hose from the quick-connect on the front of the machine.
- Remove any remaining water from the solution tank. Use the vacuum hose and extract water from the solution tank through the manual fill opening.
- Disconnect the vacuum hose from the Olympus. Pull valve trigger to release pressure from the solution hose then disconnect the solution hose from Olympus.
- Empty out waste tank and dispose in sanitary drain. Do not use the same bucket to drain the tank that you use to fill the tank.
- Disconnect the power cords from the outlets and from the machine.
- Remove the waste tank lid and clean off float, cage and cap as needed. Spray out waste tank with fresh water. Replace lid and empty tank.

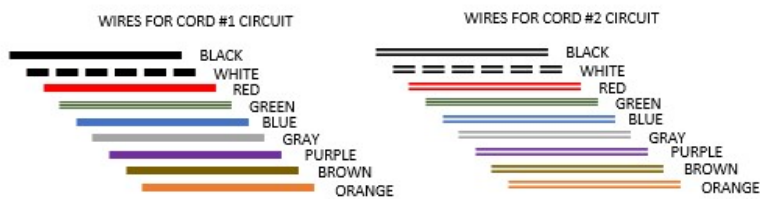
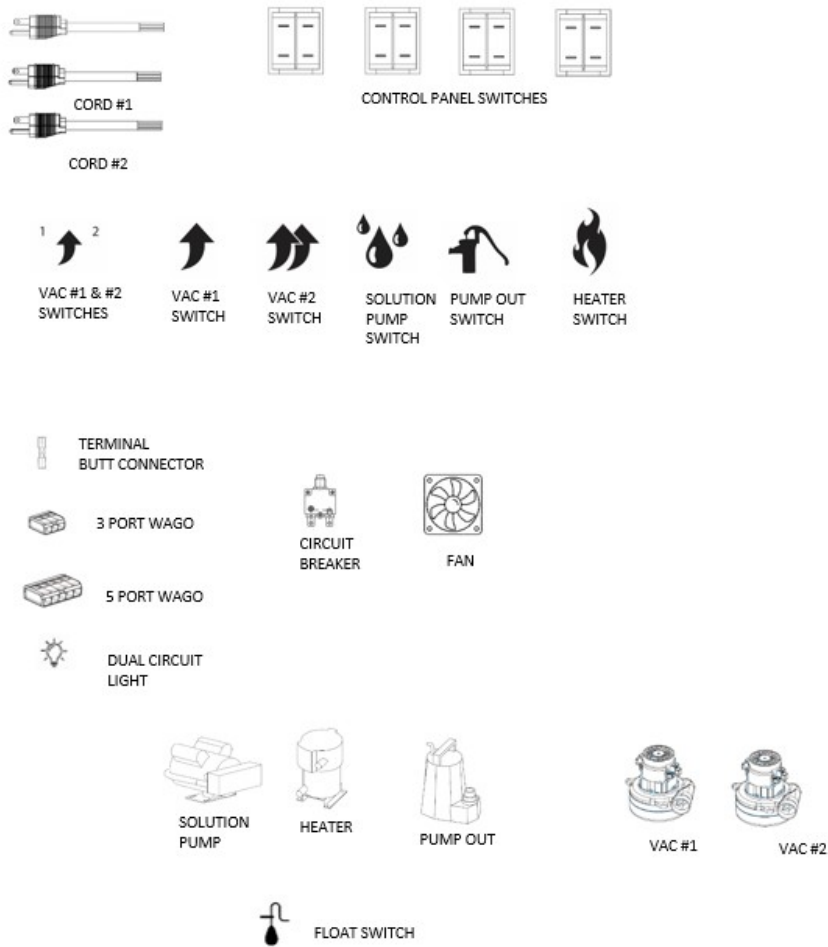
Maintenance

Maintenance Item	Daily	Weekly	As needed	Procedure
Clean waste and solution tanks	x			<ol style="list-style-type: none"> 1. Remove the waste tank lid. 2. Use a hose to rinse the dirt and debris out of the waste tank. 3. (Optional) Spray the waste tank with a deodorizer or disinfectant. 4. Flush solution tank and pump with fresh water, if any fluid other than water was used in the solution tank during cleaning.
Clean and inspect hoses	x			
Check tanks, hoses, filters and power cables for any signs of damage or wear		x		
Clean waste tank gate valve		x	x	
Clean Pump inlet filter		x	x	<ol style="list-style-type: none"> 1. Remove the filter screen from inside the solution tank and clean as needed. 2. Do not operate the machine without the pump inlet filter in place. 3. Replace filter, hose & barb as needed.
Storage Freeze Protection			x	<ol style="list-style-type: none"> 1. In a separate container mix 1 pint of water with 1 pint of automotive radiator anti-freeze. (Ethylene glycol type). 2. Mix well and pour into the solution tank. 3. Connect the solution hose to the solution outlet female quick connect and hold the tool over a bucket. 4. Turn the solution pump switch to the ON position. Spray the tool into the bucket until you see the antifreeze solution coming out of the jet into the bucket. 5. Turn the solution pump off. 6. Drain the remaining anti-freeze solution from the solution tank and the machine is ready for storage. <p>To Return to Service: Repeat steps above using clean water ONLY until anti-freeze has been cleaned from the unit.</p>

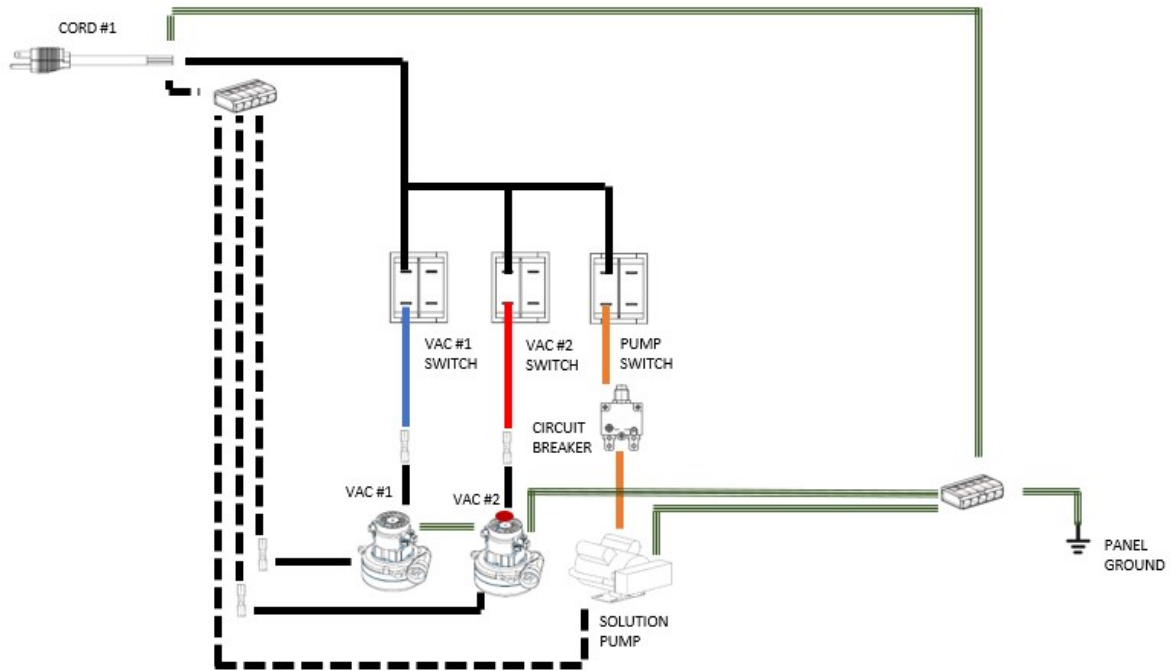
NOTE: HydroForce Manufacturing has implemented a color coded universal wiring system on Olympus Extractor Models beginning late 2021. Further wiring improvements were made mid 2023. The time frame in which your unit was manufactured will determine which wiring system is applicable. For your convenience, current and previous wiring systems are outlined below. Contact your place of purchase with any questions regarding your Olympus Portable Extractor.

Wiring Diagrams:

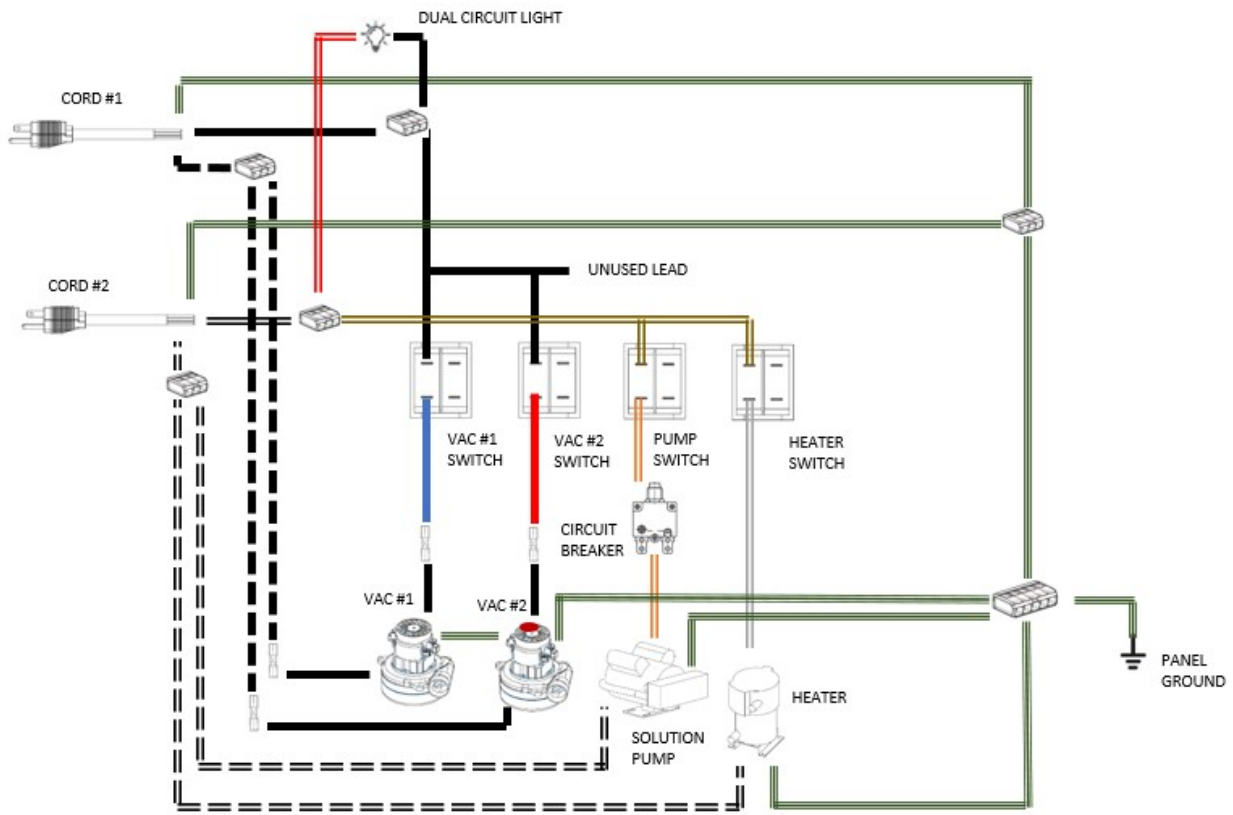
Wiring Diagram Key



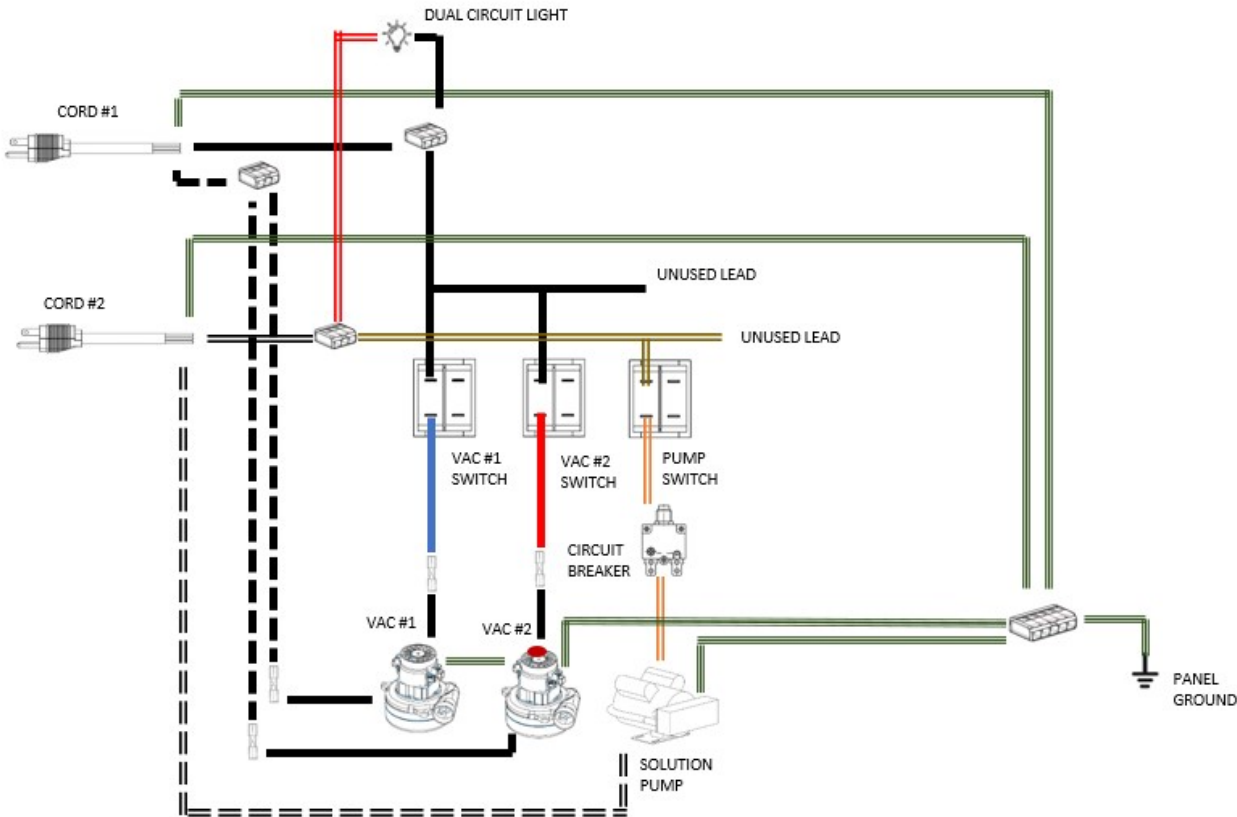
Olympus O100M wiring



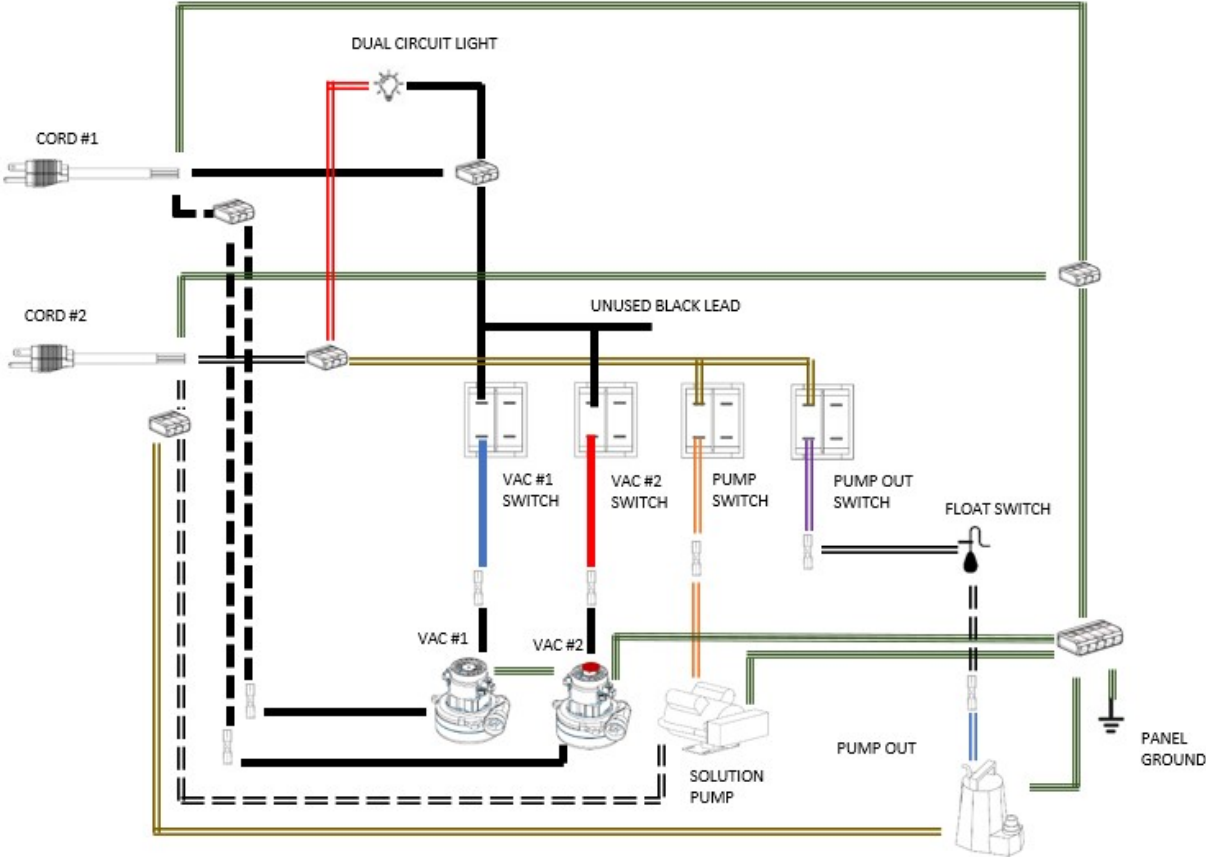
Olympus O200HM, O3-200HM, O500HM, and O3-500HM wiring



Olympus O3-500M wiring

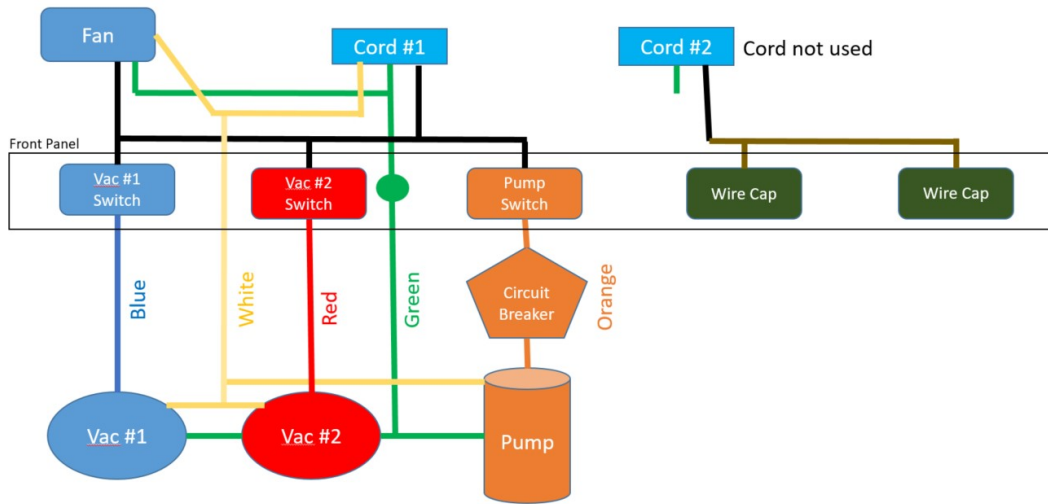


Olympus O1200 wiring

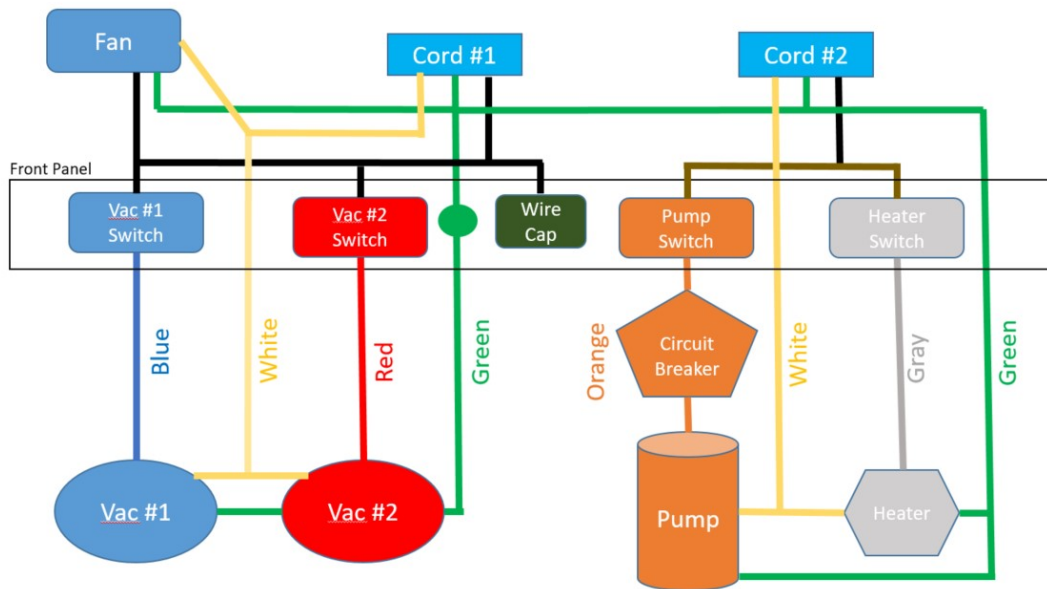


Previous Wiring System

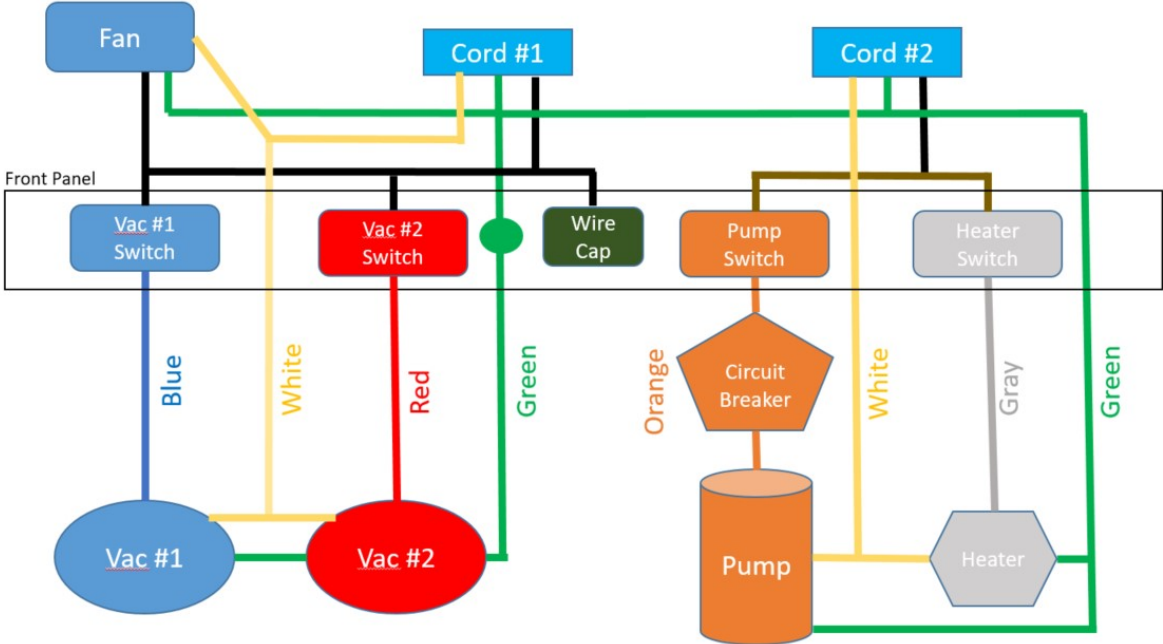
Olympus O 100M Wiring



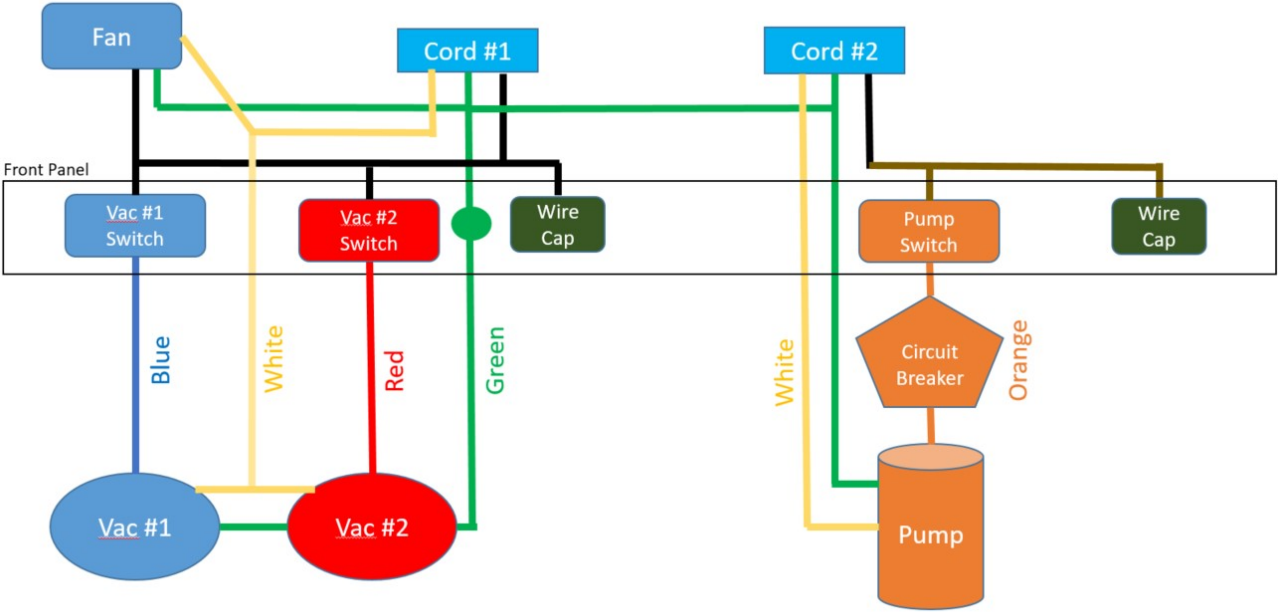
Olympus O 200HM Wiring



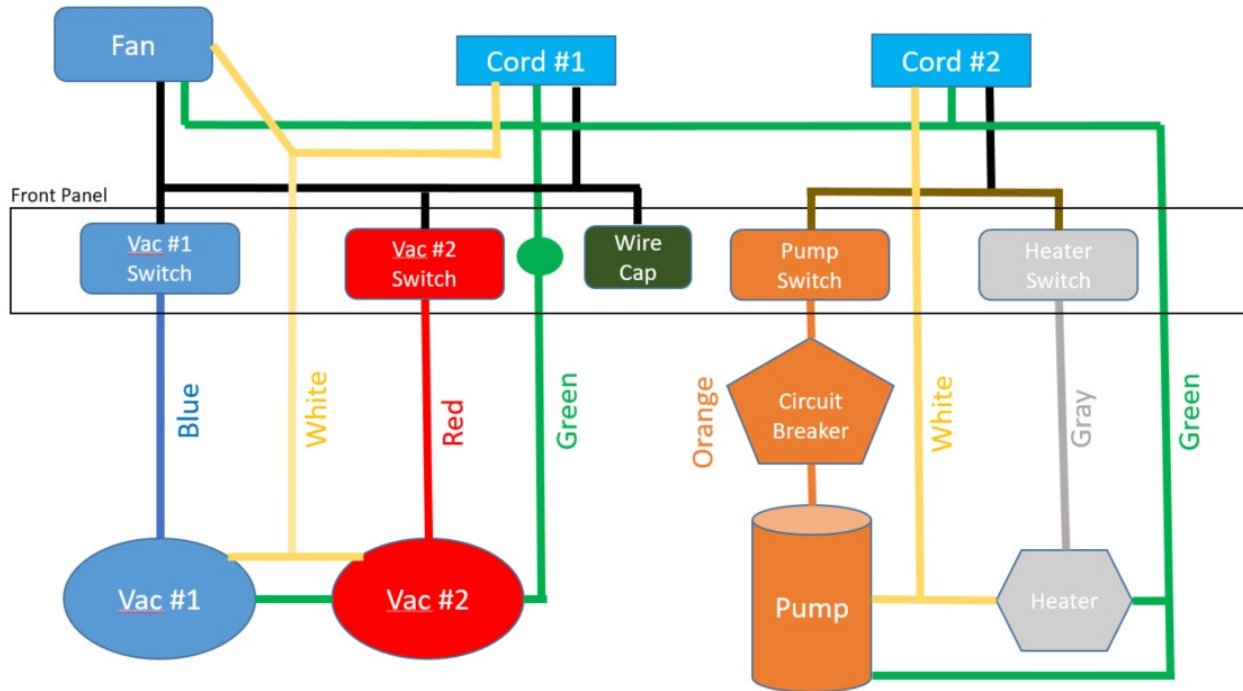
Olympus O3-200HM Wiring



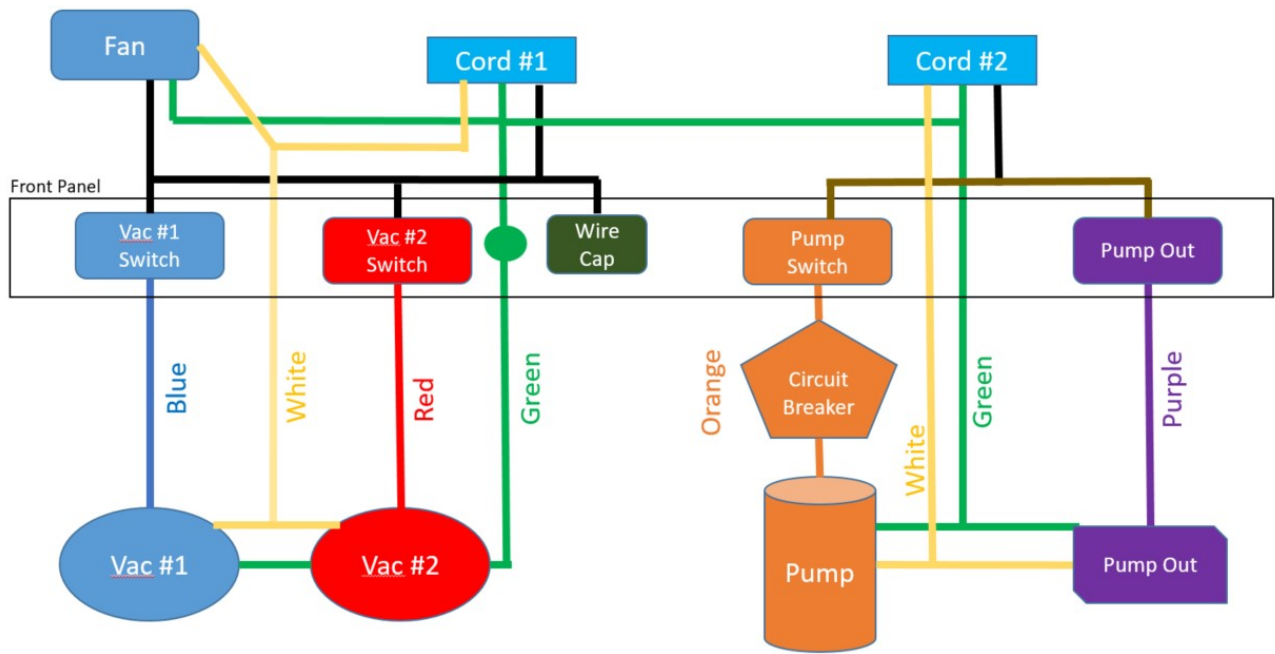
Olympus O3-500 Wiring



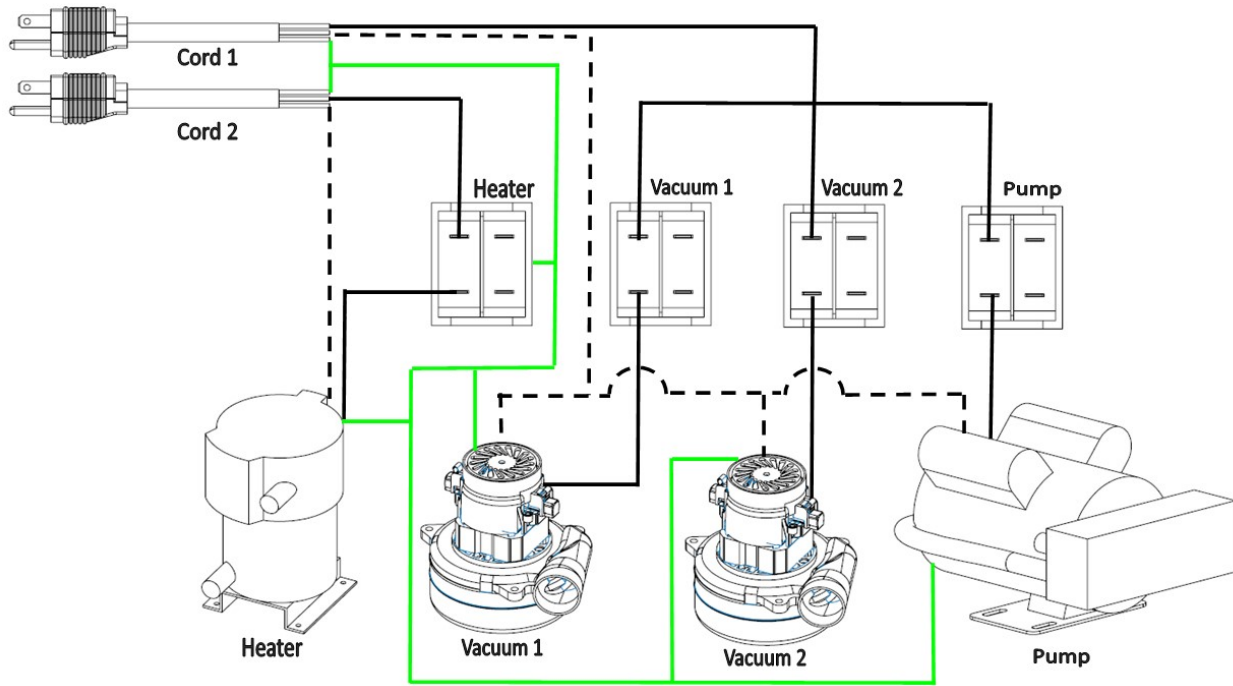
Olympus O 500HM Wiring



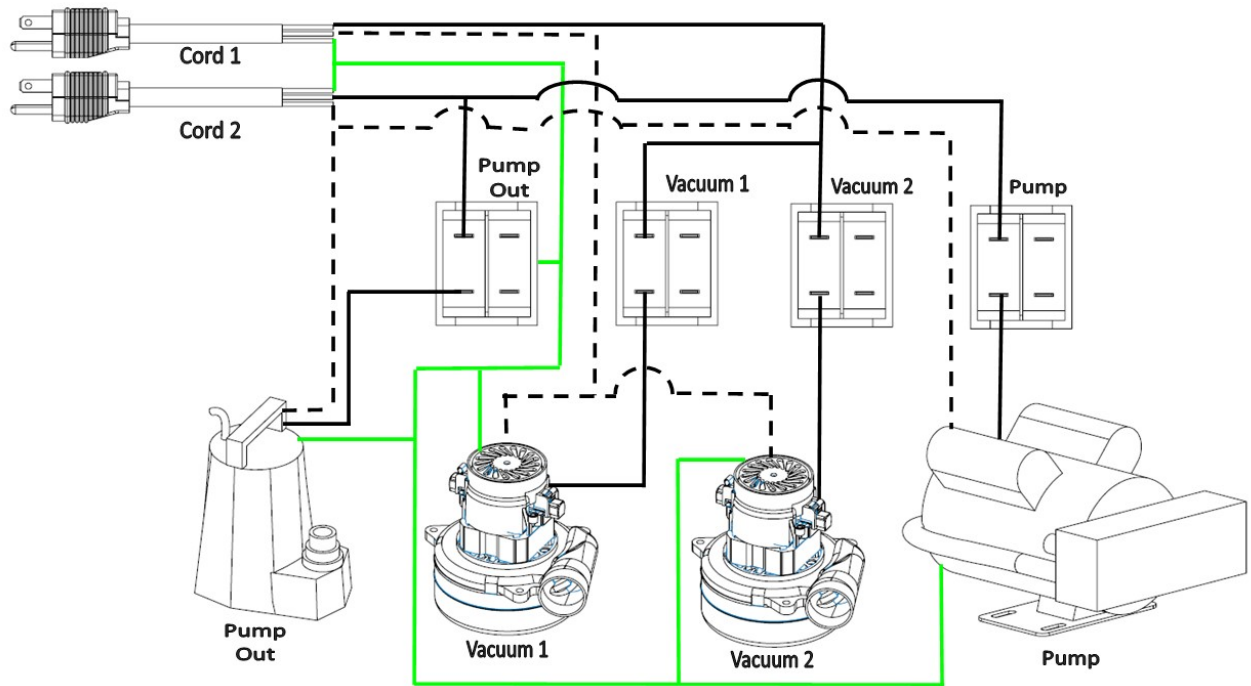
Olympus O 1200 Wiring



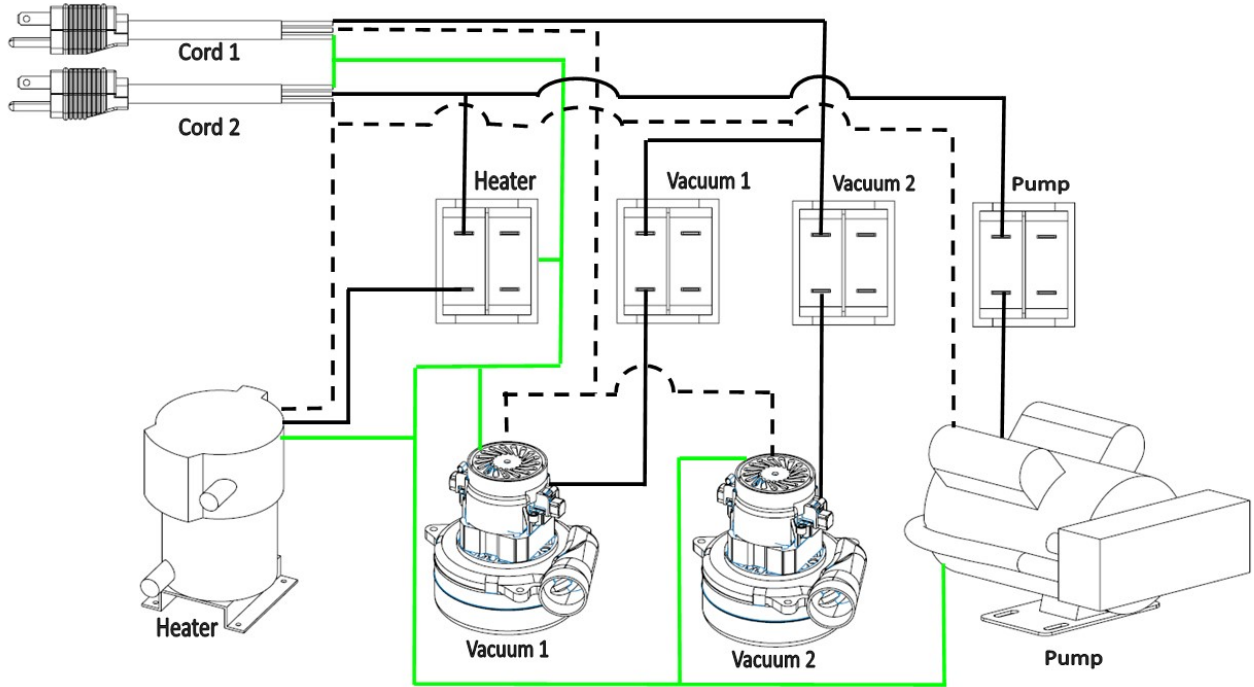
O200H, O500H



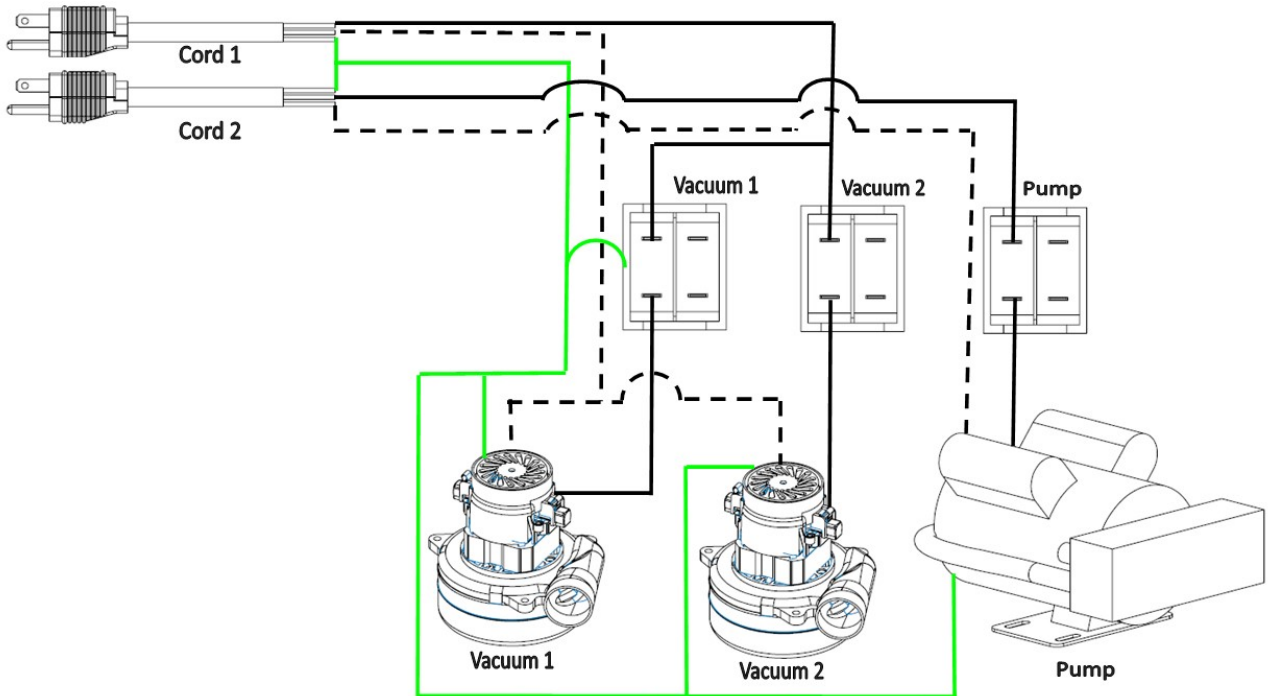
O1200



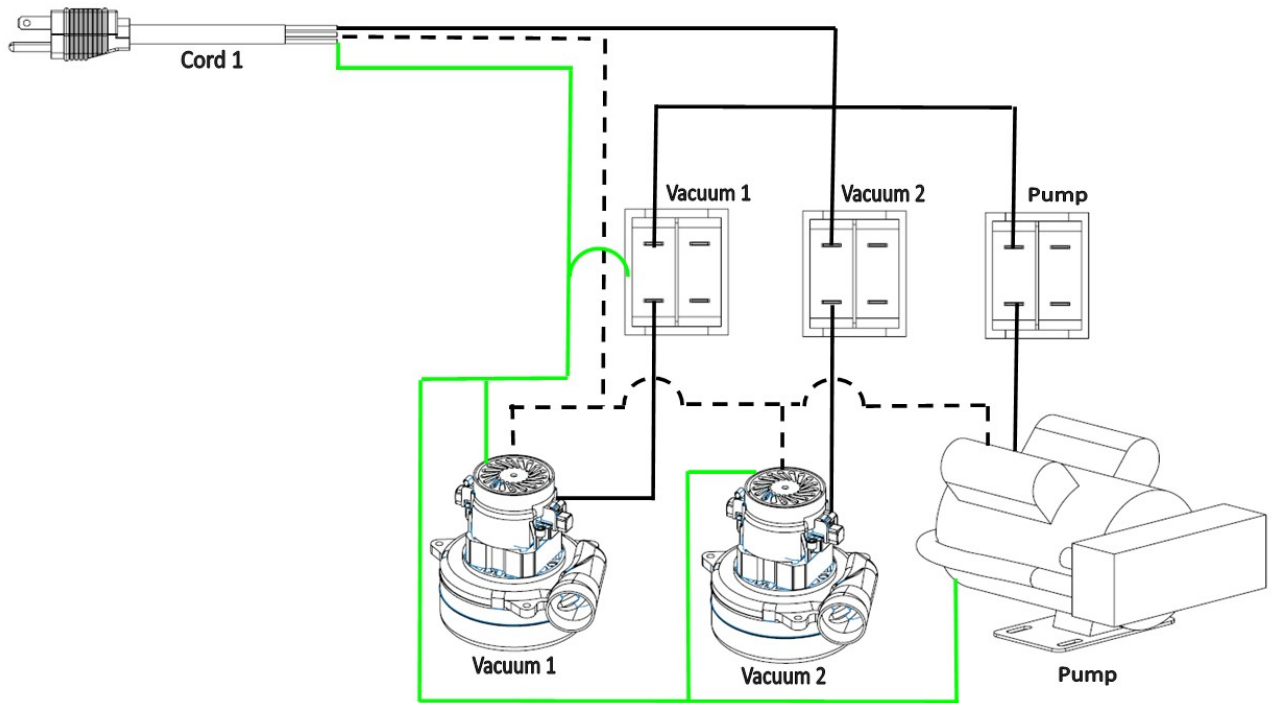
O3-200H



O3-500



O100



Troubleshooting

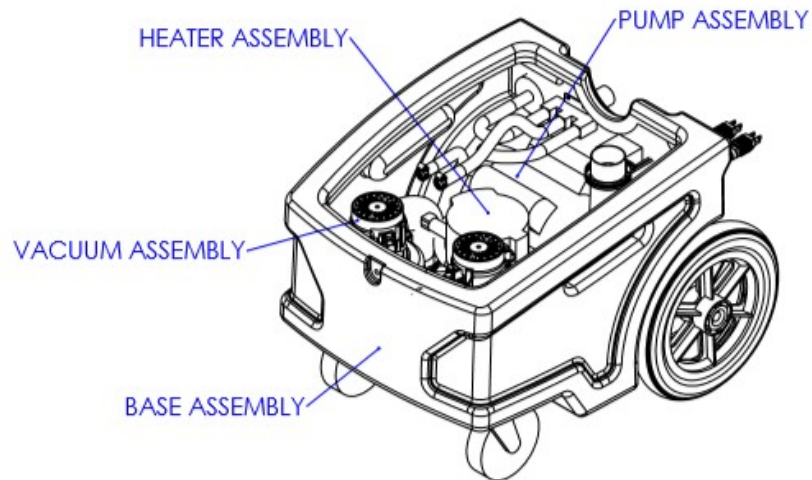
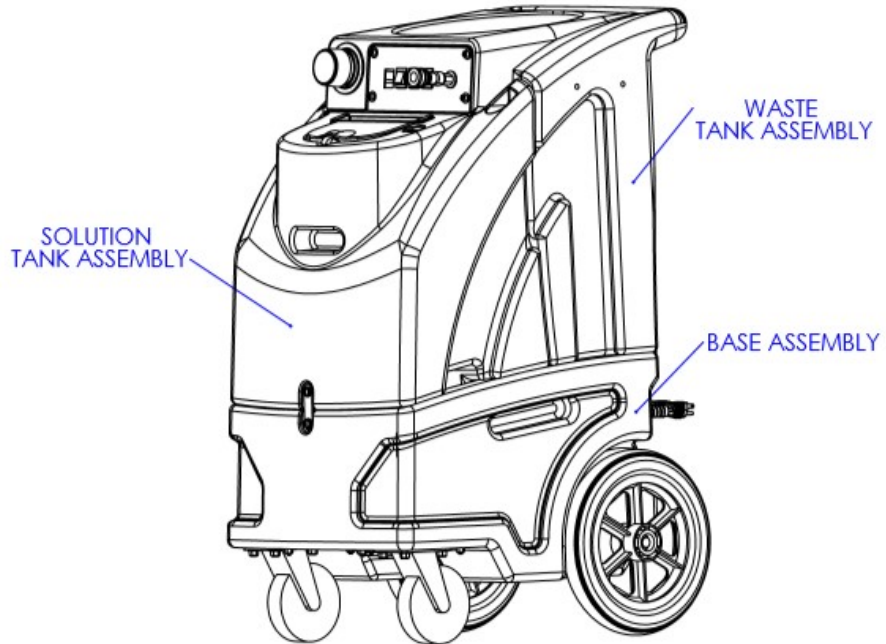
Problem	Cause	Solution
Machine not turning on - No power	Building circuit breaker tripped.	Reset building circuit breakers or move cords to other outlets. Reset machine circuit breaker
	Faulty power cord	Replace cord
	Faulty switches or internal wiring	Check wiring & test switches - Repair as needed *
Solution Pump not running	Building circuit breaker tripped.	Reset building circuit breakers or move cords to other outlets. Reset machine circuit breaker
	Faulty power cord	Replace cord
	Faulty switches or internal wiring	Check wiring & test switches - Repair as needed *
	Pump faulty	Replace pump
Low Solution Pressure and/or Pulsation	Jets too large for pressure desired	Check jets size & flow rates / use smaller jets
	Jets worn allowing too much flow	Replace jets
	Hose from solution tank restricted	Repair or replace hose
	Pump intake hose or fittings leaking	Repair or replace hose. Tighten clamps or replace fittings
	Solution tank empty	Add water to tank
	Pump faulty	Repair or replace pump
	Tool valve faulty	Repair or replace valve
	Quick connects or hoses restricted	Clean out or replace quick connects and/or hoses
	Heater Restricted with scale	De-scale or replace the heater
Can't connect solution hose to machine	Pressure in lines	Release pressure
	Quick connects faulty	Replace quick connects (AH101B, AH102B)
	Wrong style/size quick connects	Replace quick connects to match connects on machine
Heater Not Heating (Heated Units Only)	Faulty switches or internal wiring	Check wiring & test switches - Repair as needed *
	Temperature Switch tripped	Reset manual reset temperature switch.
	Faulty temperature switches	Replace temperature switches on heater
	Faulty Heater Core	Replace heater core
	Flow too high for proper heating	Use smaller jet or slow use of water
	Water Starting out too cold	Heat water before filling tank – Maximum 130°F

Troubleshooting Continued

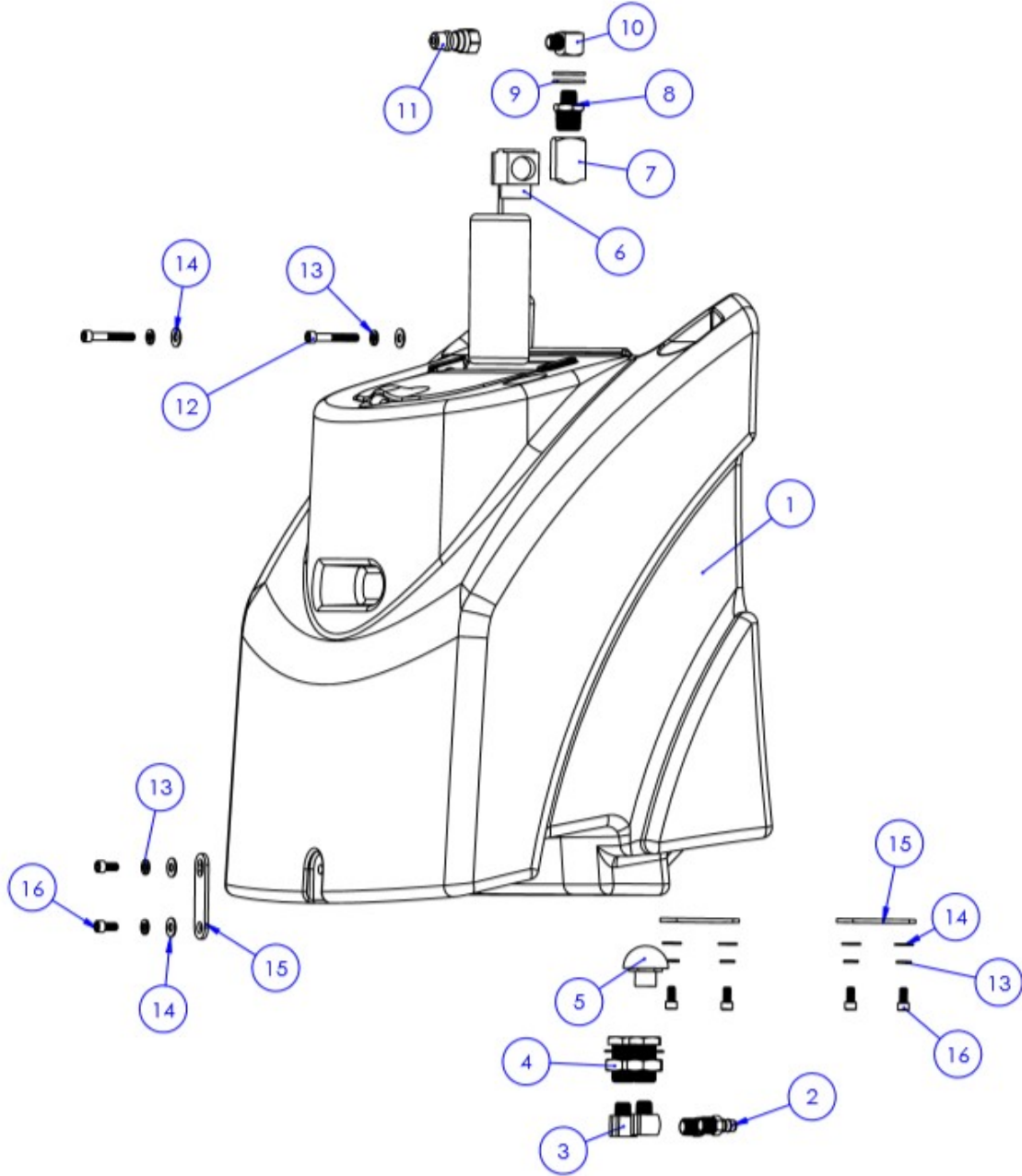
Problem	Cause	Solution
Vacuum Motor Not Running	Building circuit breaker tripped. Reset breaker or move cord to other outlet	Reset building circuit breakers or move cords to other outlets. Reset machine circuit breaker
	Faulty power cord	Replace cord
	Faulty switch or internal wiring Check wiring & test switch	Repair as needed *
	Vacuum motor faulty	Replace vacuum motor
Loss of Vacuum	Vacuum motor faulty	Replace vacuum motor
	Vacuum motor gasket damaged	Replace gasket
	Recovery tank lid gasket damaged	Replace lid assembly or gasket
	Vacuum hose or tool clogged	Clean out vacuum hoses and tool
	Vacuum hoses or cuffs leaking	Replace vacuum hoses, cuffs & connectors as needed
	Recovery tank full	Drain tank
	Float shutoff filter clogged	Clean float shutoff filter
	Float shutoff stuck	Repair or replace float shutoff
Recovery tank damaged	Replace recovery tank	
Tool won't spray - slow or uneven spray	Jet clogged	Clean out or replace jet
	Inline filter clogged	Clean out or replace filter if so equipped
	Jet worn	Replace jet
	Jet not aligned properly	Re-align jet
	Tool valve faulty	Repair or replace valve
	Quick connects or hoses restricted	Clean out or replace quick connects and/or hoses
	Pump not pumping	See Troubleshooting sections relating to solution pump

Parts List and Breakdown

Olympus Sub-Assemblies

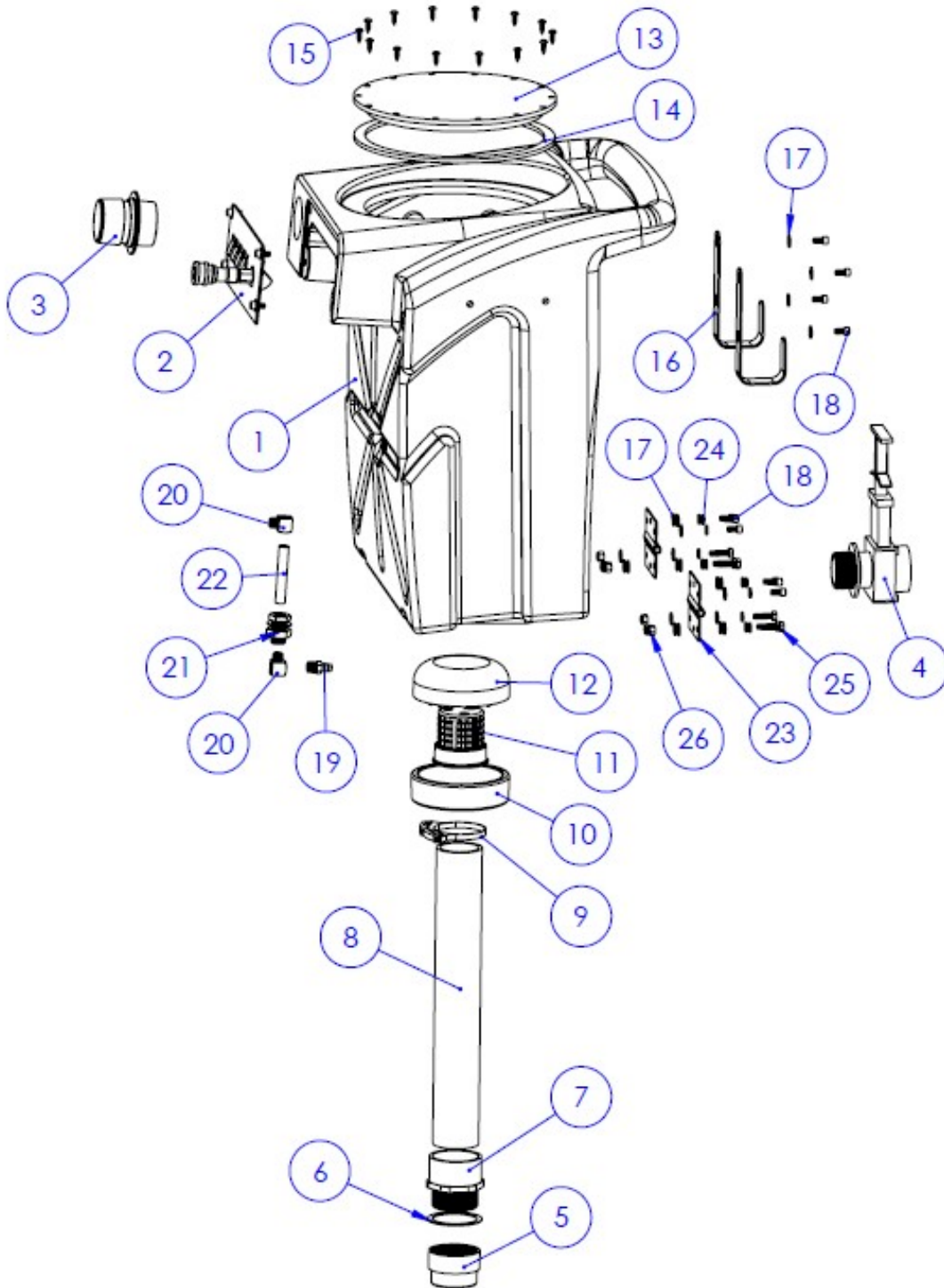


Solution Tank Assembly



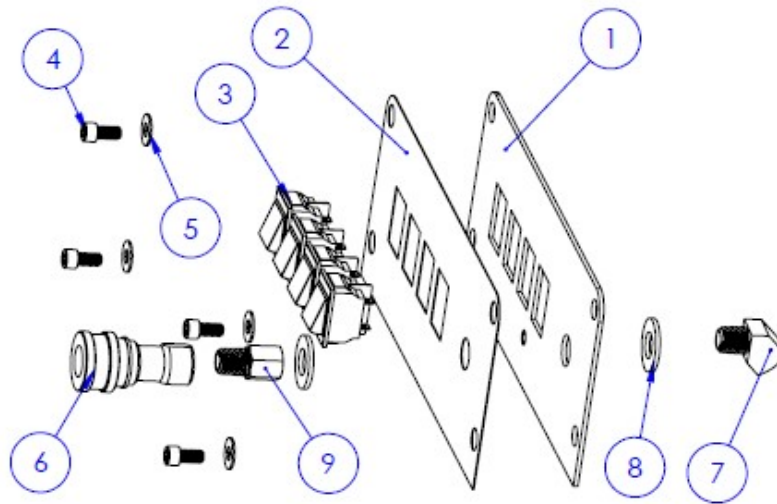
Solution Tank Assembly				
Balloon	Part Number	Description	Qty	Configuration
1	2617-0922	Olympus Solution Tank	1	All
2	1638-1408	Barb, 1/2" x 3/8" MPT	2	All
3	1650-0074	Elbow, 90, 3/8" Street	2	All
4	1645-1914	Fitting Bulkhead 3/8"	2	All
5	1641-1201	Strainer Acorn 3/4"	1	All
6	1664-2011	Kit Float Valve Assembly	1	Pump Out
7	1658-0173	Elbow 90 1/2" NPT	1	Pump Out
8	1631-0892	Nipple, 1/2" x 1/4" NPT	1	Pump Out
9	1674-3864	Washer 1/2" Flat	2	Pump Out
10	1628-3549	Elbow 90 Street 1/4"	1	Pump Out
11	1626-0325	Quick Connect 1/4" Male	1	Pump Out
12	2620-0028	Screw, 1/4" x 1-5/8"	2	All
13	1696-2603	Washer, 1/4"	8	All
14	1639-2831	Washer, 1/4" Flat	8	All
15	1616-2430	Bracket	3	All
16	1690-2708	Screw, 1/4-20 x 1/2"	6	All

Waste Tank Assembly



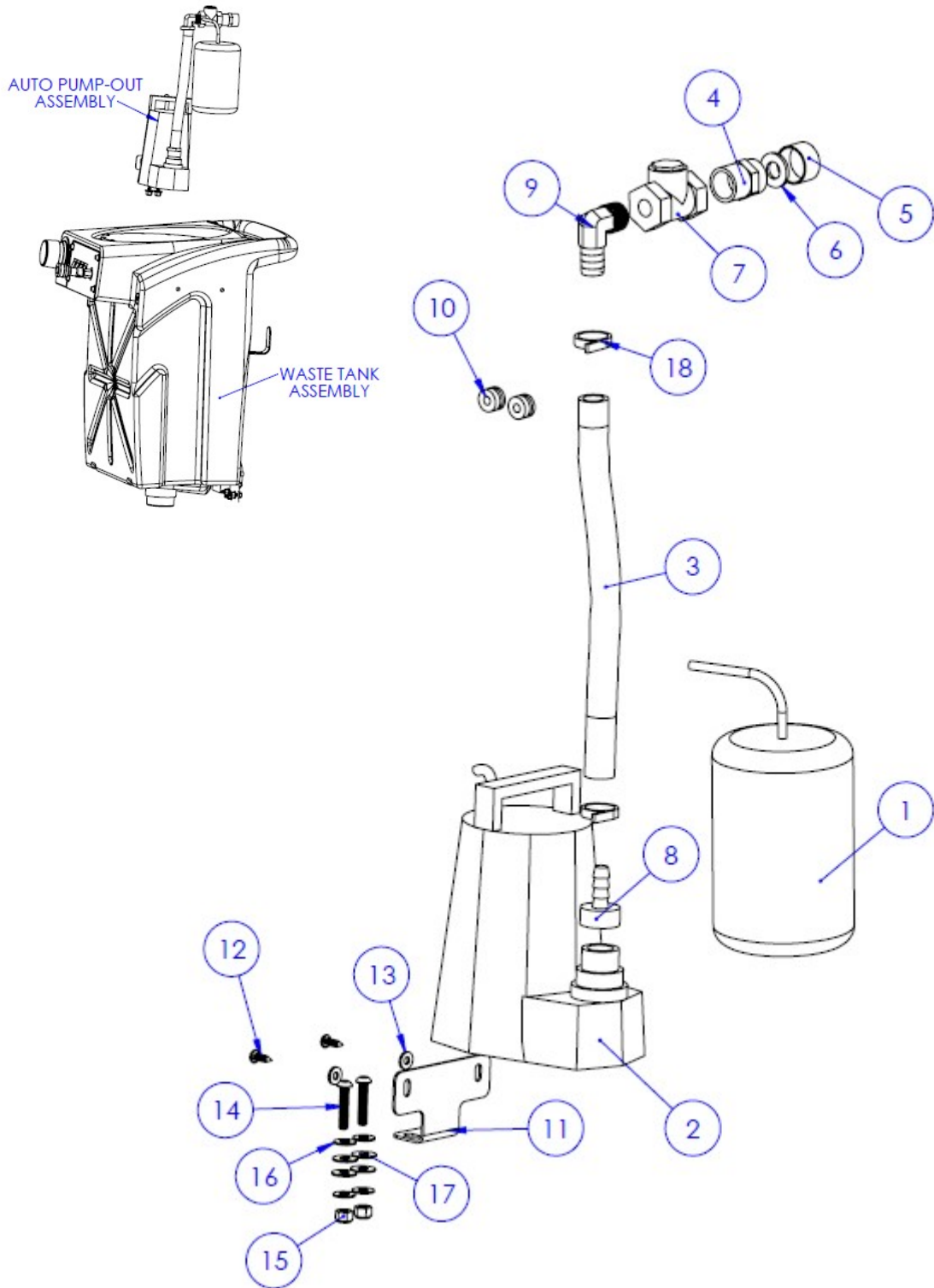
Waste Tank Assembly				
Balloon	Part Number	Description	Qty	Configuration
1	2618-0923	Waste Tank	1	All
2	-	Switch Plate Assembly	1	All
3	1665-2810	Flash Cuff 2" MPT	1	All
4	1617-1314	Gate Valve, 1-1/2" MNPT	1	All
5	1638-2018	Adapter 2" FPT x 2" Slip	1	All
6	1671-2628	Gasket, Stand Pipe	1	All
7	1600-2735	Adapter, 2" MPT x 2" Slip	1	All
8	1619-4591	Pipe, 2", ABS	16''	All
9	1644-2129	Clamp, 2.25"-2.58"	1	All
10	1625-2734	Float	1	All
11	1673-3762	Float Cage	1	All
12	1674-3763	Float Cap	1	All
13	1650-5695	LID 9"	1	All
14	1663-5397	GASKET 8"	1	All
15	A94223	SCREW #10 X 5/8"	14	All
16	1661-2917	Bracket, Cord Wrap	2	All
17	1639-2831	Washer, 1/4" Flat	22	All
18	1690-2708	Screw, 1/4"-20 x 1/2"	10	All
19	1604-0990	Barb, 3/8" x 1/4" MPT	1	Pump Out
20	1653-0382	Elbow 90, 1/4" Street	2	Pump Out
21	1683-0679	Bulkhead Fitting 1/4"	1	Pump Out
22	1653-2412	NIPPLE 1/4" X 3"	1	Pump Out
23	2627-0710	Hinge, 3"x3"	2	All
24	1696-2603	Washer, Split, Lock, SS	12	All
25	1693-2701	Screw, 1/4-20 x 1"	6	All
26	1699-2404	Nut, 1/4-20, SS, Nylock	6	All

Switch Plate Assembly



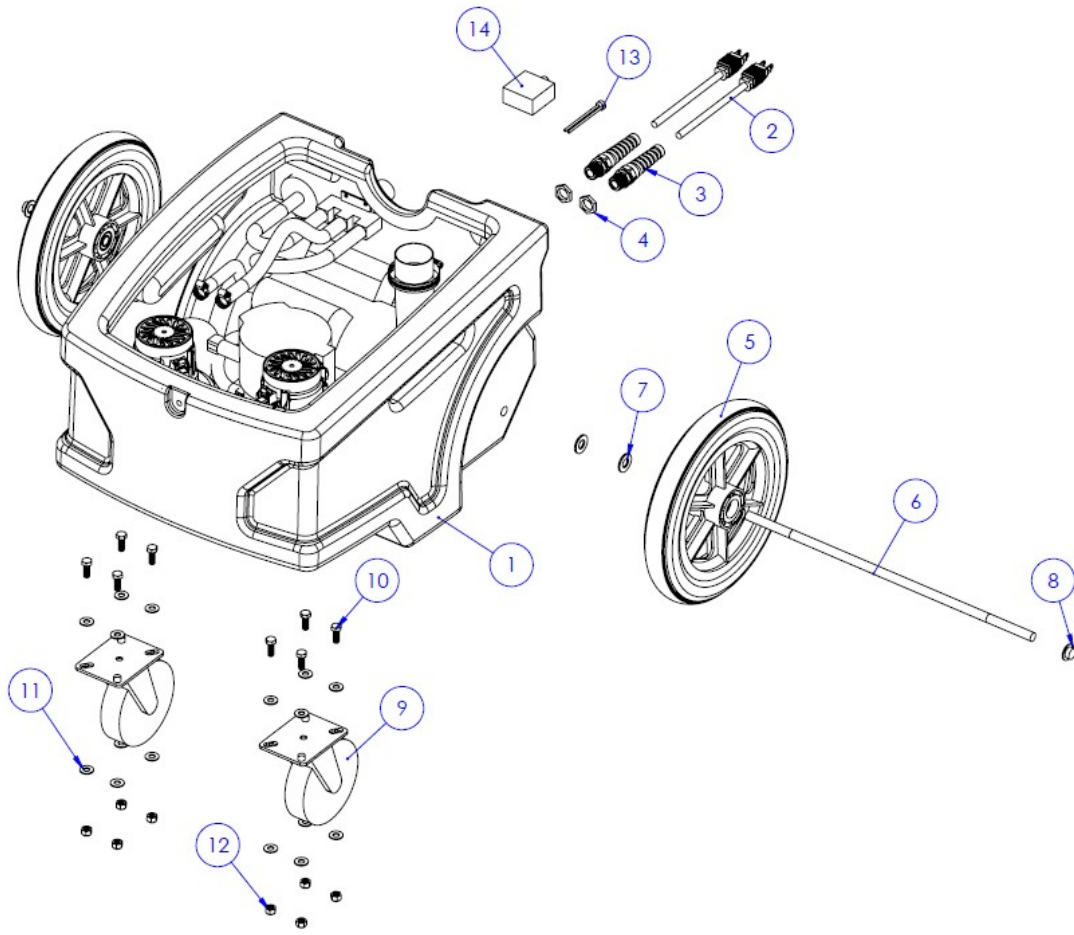
Switch Plate Assembly				
Balloon	Part Number	Description	Qty	Configuration
1	2625-0718	Switch Mounting Plate	1	All
2	-	Decal, Olympus Switch Plate	1	All
3	1658-2025	Switch Rocker Single	3-4	All
4	1690-2708	Screw, 1/4-20 x 1/2"	4	All
5	1639-2831	Washer, 1/4" Flat	4	All
6	1625-0324	Quick Connect 1/4" F	1	All
7	1653-0382	Elbow 90, 1/4" Street	1	All
8	1674-3864	Washer 1/2" Flat	2	All
NS	1675-3865	Washer Flat 1/2" W/Neoprene	2	All
9	1641-1415	Adapter 1/4" MPT - 1/4" FPT	3	All

Auto Pump-Out Assembly



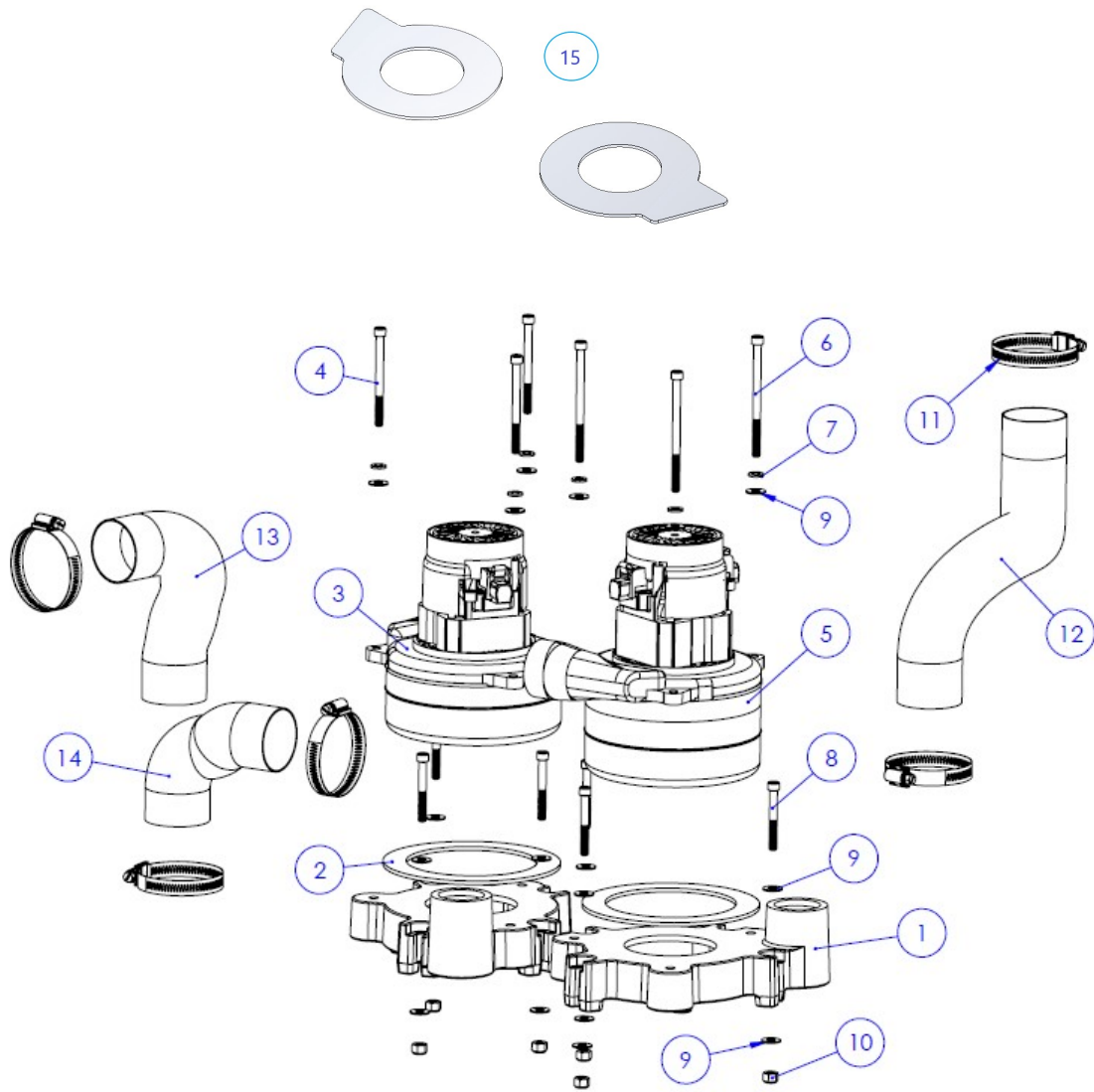
Auto Pump-Out Assembly				
Ballo on	Part Number	Description	Qty	Configuration
1	1690-2912	SWITCH FLOAT	1	Pump Out
2	57360	PUMP LITTLE GIANT	1	Pump Out
3	1602-2826	HOSE 3/4" WATER	19"	Pump Out
4	1664-1805	ADAPTER 3/4" MPT TO GARDEN HOSE	1	Pump Out
5	1664-1805	CAP GARDEN HOSE	1	Pump Out
6	1669-1824	GASKET	1	Pump Out
7	1653-2929	CHECK VALVE	1	Pump Out
8	1652-0470	BARB 3/4" X 3/4" FGH	1	Pump Out
9	1654-2932	ELBOW 3/4" MPT X 3/4	1	Pump Out
10	1600-2127	STRAIN RELIEF	2	Pump Out
11	2628-0711	BRACKET PUMP OUT	1	Pump Out
12	A94223	SCREW, 10 x 0.625	2	Pump Out
13	1698-2403	WSHR #10 FLAT	2	Pump Out
14	1602-2016	SCREW 1/4-20 X 1.25"	2	Pump Out
15	1699-2404	NUT 1/4-20 SS NYLOCK	2	Pump Out
16	1639-2831	WASHER 1/4" FLAT SS	4	Pump Out
17	1658-2328	WASHER RUBBER FLAT	4	Pump Out
18	1609-2316	HOSE CLAMPS	2	Pump Out

Base Assembly



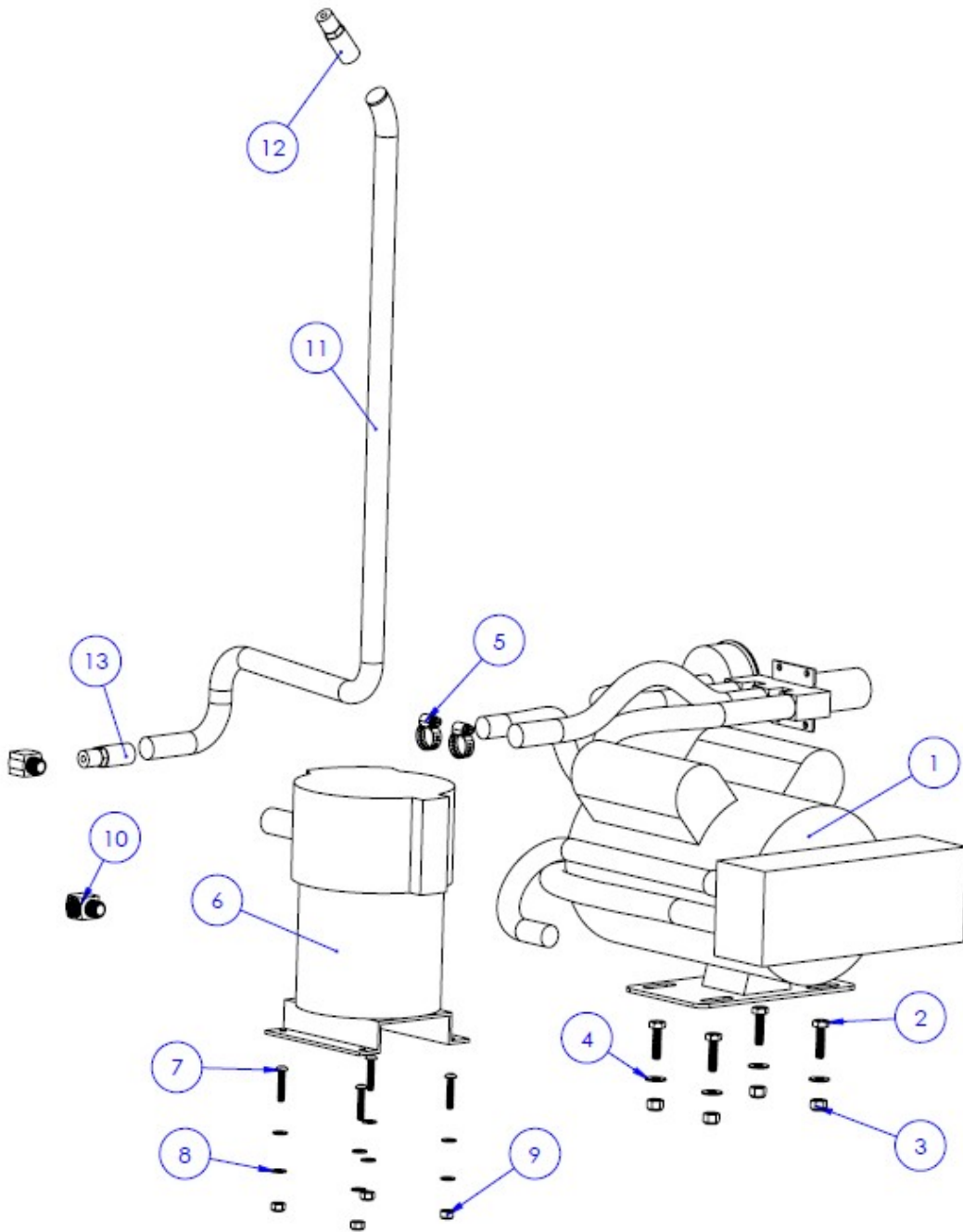
Base Assembly				
Balloon	Part Number	Description	Qty	Configurat ion
1	2616-0921	OLYMPUS LOWER BODY	1	All
2	1662-2514	CORD 12/3 X 2'	2	All
3	1609-2025	STRAIN RELIEF	2	All
4	1697-1032	NUT STRAIN RELIEF	1	All
5	1674-3864	WHEEL 12" - 1/2" HUB	2	All
6	2626-0719	AXLE OLYMPUS	1	All
7	1674-3864	WASHER 1/2" FLAT SS	4	All
8	1692-2609	CAP AXLE NAUTILUS RE	2	All
9	NM5720	CASTER 5" NAUTILUS	2	All
10	2608-0630	SCREW 5/16-18 x 7/8"	8	All
11	1604-2311	WASHER 5/16 Flat SS	8	All
12	1605-2312	NUT 5/16-18 SS	16	All
13	1660-4833	KIT DUEL CIRCUIT INDICATOR		ALL EXCEPT 100
14	1677-1115	CIRCUIT BREAKER 20 A	1	1200
14	1613-1942	CIRCUIT BREAKER 10 A	1	500
14	1656-3761	CIRCUIT BREAKER 5 A	1	200, 100

Vacuum Assembly



Vacuum Assembly				
Balloon	Part Number	Description	Qty	Configuration
1	2614-0929	OLYMPUS VACUUM MOUNT	2	All
2	1654-1056	GASKET VAC MOTOR 5.7	2	All
3	1600-1253	VAC MOTOR 5.7" 2 STAGE	1-2	2 Stage
4	1653-3869	SCREW 1/4-20 x 3.25"	3	2 Stage
5	A64342	VAC MOTOR 5.7" 3 STAGE	1-2	3 Stage
6	1651-3867	Screw 1/4-20 x 4.5" SOCHD SS	3	3 Stage
7	1696-2603	WASHER 1/4" SPLITLOC	18	All
8	1652-3868	SCREW 1/4-20 X 2"	6	All
9	1639-2831	WASHER 1/4" FLAT SS	18	All
10	1699-2404	NUT 1/4-20 SS NYLOCK	6	All
11	1602-2218	CLAMP HOSE 2 1/2"	5	All
12	1675-2418	VAC HOSE 2"	27"	All
13	1675-2418	VAC HOSE 2	10"	All
14	1675-2418	VAC HOSE 2	5.5"	All
15	2666-6014	VACUUM BAFFLE OLYMPUS	2	O3-500H

Pump and Heater Assembly



Pump and Heater Assembly				
Balloon	Part Number	Description	Qty	Configuration
1	1609-2330	PUMP ASSEMBLY	1	1200
1	1651-3766	PUMP ASSEMBLY	1	500
1	1606-5563	PUMP ASSEMBLY	1	200
1	1602-2713	PUMP ASSEMBLY	1	100
2	1693-2701	SCREW 1/4-20 X 1"	4	All
3	1699-2404	NUT 1/4-20 SS NYLOCK	4	All
4	1639-2831	WASHER 1/4" FLAT SS	4	All
5	1684-1811	HOSE CLAMP	2	100, 200
5	1611-5533	HOSE CLAMP	2	500, 1200
6	2672-0274	HEATER 110 VOLT 1750	1	Heated
7	1650-3866	SCREW 8-32 X 0.75" PHP SS	4	Heated
8	1698-2403	WASHER #10 FLAT	8	Heated
9	1646-3364	NUT 10-32 HEX NYLOCK	4	Heated
10	1623-0676	ELBOW 45 - 1/4"	2	Heated
11	1646-4467	GREY HOSE 1/4"	50"	Heated
12	1670-6335	HOSE END 1/4" SWIVEL	1	Heated
13	1678-6232	HOSE END 1/4" STRAIGHT	1	Heated

Limited Warranty

Your Olympus is designed to give you years of reliable service. If a problem should arise use the troubleshooting section in the operation manual to diagnose and correct the problem if possible.

If you are unable to determine the cause or solution to the problem contact your distributor or Hydro-Force for assistance.

Hydro-Force warrants the rotational-molded tanks and base of the Olympus to be free from defects in material or workmanship for five years from the date of purchase.

All other components of the Olympus are warranted to be free of defects in material and workmanship for one year from the date of purchase.

During the warranty period, Hydro-Force will, at its option, repair or replace components which prove to be defective. This warranty does not provide for replacement of complete units due to defective components. Any costs for transportation or related service labor are not covered in this warranty. Replacement parts are warranted only for the remainder of the original warranty period.

This warranty shall not apply to defects resulting from improper operation, lack of maintenance, unauthorized modification, chemical incompatibility, misuse, abuse or exposure to freezing temperature conditions. It does not cover normal wear items such as o-rings, valve seals, pump seals, hoses, jets, cords, or other items which require replacement as a result of ordinary usage.

To obtain warranty service for the Olympus, contact your distributor or Hydro-Force. If the extractor must be returned to Hydro-Force or an authorized service center, the purchaser shall prepay shipping charges for products returned for warranty service. No returned items will be accepted by Hydro-Force without prior authorization. All returns must have a return authorization number, issued by Hydro-Force, clearly marked on the exterior of the package.

Hydro-Force makes no other warranty either expressed or implied with respect to this product.

The remedies provided herein are the purchaser's sole and exclusive remedies. In no event shall Hydro-Force be liable for any direct, indirect, special, incidental or consequential damages.

This warranty gives you specific legal rights. You may also have other rights, which vary from jurisdiction to jurisdiction.