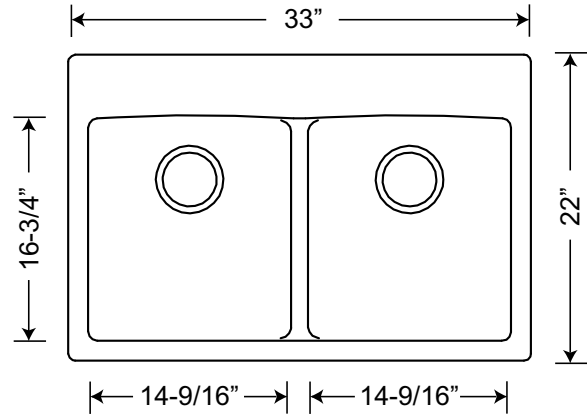


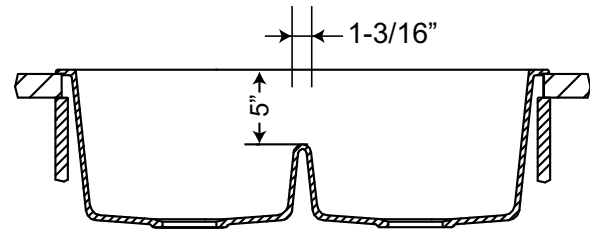
SIS-GR202CLD-01 1641-6087 Black Sand	SIS-GR202CLD-02 1642-6088 Wheat	SIS-GR202CLD-03 1643-6089 Iceberg	SIS-GR202CLD-04 1644-6080 Grey Moon	SIS-GR202CLD-05 1645-6081 Chocolate	SIS-GR202CLD-06 1694-9719 Silver Fox	SIS-GR202CLD-07 1695-9710 Storm Cloud	SIS-GR202CLD-08 1696-9711 Eclipse

Double Bowl Granite Sink



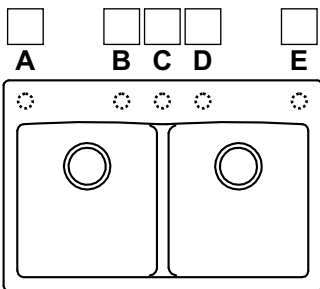
SIS-GR202CLD - DURAGRANIT SERIES

- 80% quartz and 20% acrylic resins
- Undermount or drop-in installation
- Scratch and stain resistant
- Heat and acid resistant
- Non-fading
- Easy to clean, extremely hygienic
- Suitable for food preparation
- Fits 36" cabinet
- 3 1/2" drain opening

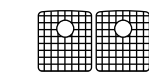


Depth = 10" / 10"

KNOCKOUT HOLE LOCATION



AVAILABLE ACCESSORIES



SIS-G-GR202CLD
Stainless Steel Grid

QTY



SIS-S01-
Basket Strainer

QTY



SIS-S06-
Disposal Flange

QTY



SIS-GCB1709
Glass Cutting Board

QTY

CODE / STANDARDS COMPLIANCE



Sinks are listed by IAPMO® as meeting the applicable requirements of the Uniform Plumbing Code®, International Plumbing Code®, and National Plumbing Code of Canada. Product Compliance: CSA B45.5-11/IAPMO Z124-201 including Update No. 1 dated May 2012

JOB INFORMATION

JOB NAME: _____ **MODEL SPECIFIED:** _____ **QUANTITY:** _____

DATE: _____ **ARCHITECT/ENGINEER:** _____

CUSTOMER: _____ **CONTRACTOR:** _____