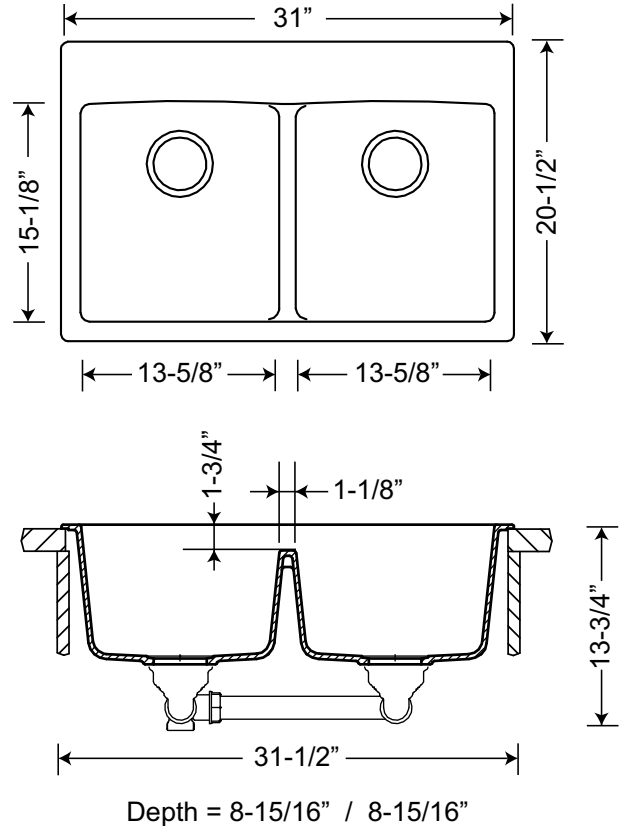


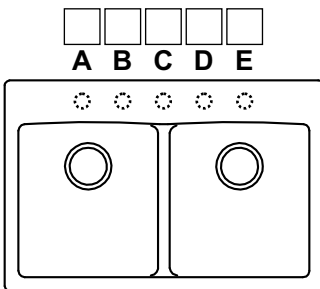
Double Bowl Granite Sink



SIS-GR202C - DURAGRANIT SERIES

- 80% quartz and 20% acrylic resins
- Undermount or drop-in installation
- Scratch and stain resistant
- Heat and acid resistant
- Non-fading
- Easy to clean, extremely hygienic
- Suitable for food preparation
- Fits 36" cabinet
- 3 1/2" drain opening

KNOCKOUT HOLE LOCATION



AVAILABLE ACCESSORIES

SIS-G-GR202C Stainless Steel Grid	SIS-S01- Basket Strainer	SIS-S06- Disposal Flange	SIS-GCB1709 Glass Cutting Board
QTY <input type="checkbox"/>	QTY <input type="checkbox"/>	QTY <input type="checkbox"/>	QTY <input type="checkbox"/>

CODE / STANDARDS COMPLIANCE

Sinks are listed by IAPMO® as meeting the applicable requirements of the Uniform Plumbing Code®, International Plumbing Code®, and National Plumbing Code of Canada. Product Compliance: CSA B45.5-11/IAPMO Z124-201 including Update No. 1 dated May 2012

JOB INFORMATION

JOB NAME: _____ **MODEL SPECIFIED:** _____ **QUANTITY:** _____

DATE: _____ **ARCHITECT/ENGINEER:** _____

CUSTOMER: _____ **CONTRACTOR:** _____