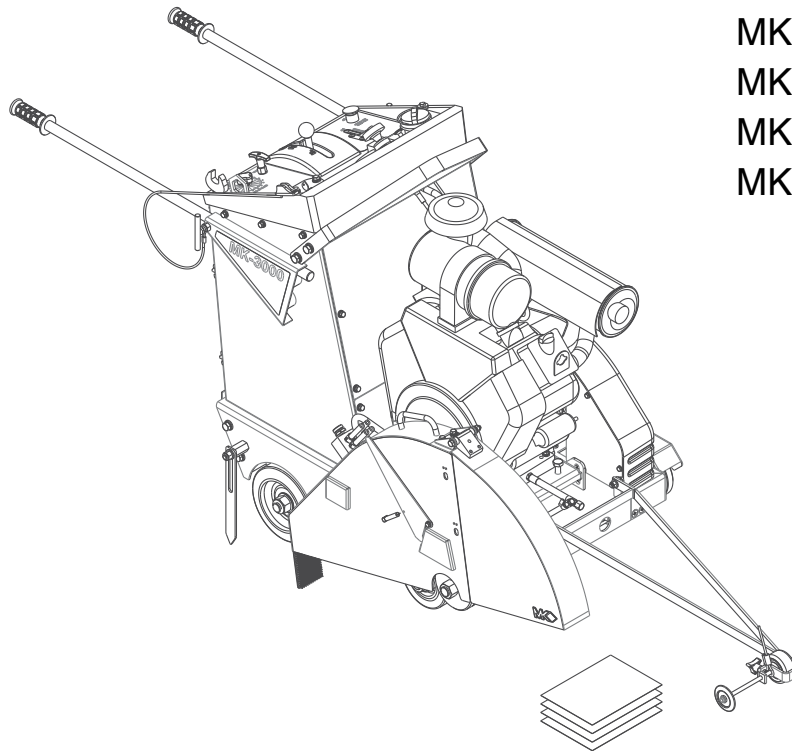




MK Diamond Products, Inc.

www.mkdiamond.com

# MK-3000 SERIES CONCRETE SAW PARTS LIST & EXPLODED VIEWS



MODELS	P/N
MK-3020V	166447-20
MK-3026V	166447-26
MK-3030V	166447-30
MK-3020K	166449-20
MK-3026K	166449-26
MK-3030K	166449-30

Revision 303	04.2018
Manual Part# 166447-PM	

**Caution:** Read all safety and operating instructions before using this equipment. This parts list **MUST** accompany the equipment at all times.



MK Diamond Products, Inc.

We at MK Diamond want to congratulate you on selecting the MK-3000 Concrete Saw. We are certain that you will be pleased with your purchase. MK Diamond takes pride in producing the finest products in the industry.

Operated correctly, your MK-3000 Concrete Saw should provide you with years of quality service. In order to help you, we have included this manual. This owners manual contains information necessary to operate and maintain your MK-3000 Concrete Saw safely and correctly. Please take a few minutes to familiarize yourself with the MK-3000 Concrete Saw by reading and reviewing this manual.

If you should have questions concerning your MK-3000 Concrete Saw, please feel free to call our friendly customer service department at: 800 421-5830

Regards,

MK Diamond

**NOTE THIS INFORMATION FOR FUTURE USE:**

<b>MODEL NUMBER:</b>	
<b>SERIAL NUMBER:</b>	
<b>PURCHASE PLACE:</b>	
<b>PURCHASE DATE:</b>	

**NOTE:** For your (1) one year warranty to be effective, complete the warranty card (including the Serial Number) and mail it in as soon as possible.

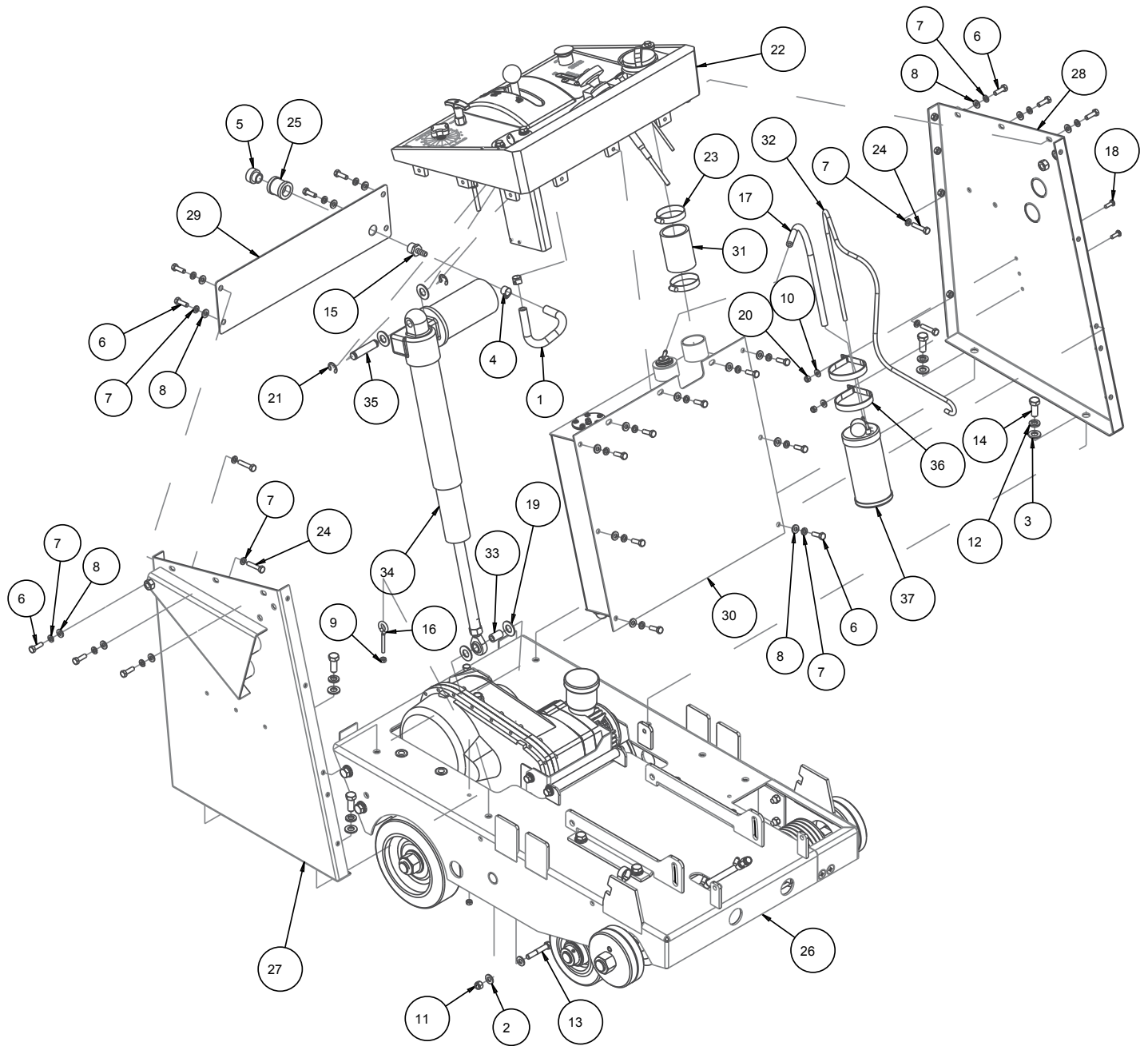
**MK-3000 SERIES****INTRODUCTION**

Welcome	3
---------	---

**PARTS LIST**

<b>FIGURE 1-4</b> - MK-3000V CONCRETE SAW PARENT A-D - P/N 166447	4-10
<b>FIGURE 5</b> - MK-3020V CONCRETE SAW - P/N 166447-20	11
<b>FIGURE 6</b> - MK-3026V CONCRETE SAW - P/N 166447-26	12
<b>FIGURE 7</b> - MK-3020V CONCRETE SAW - P/N 166447-30	13
<b>FIGURE 8-11</b> - MK-3000K CONCRETE SAW PARENT A-D - P/N 166449	14-20
<b>FIGURE 12</b> - MK-3020K CONCRETE SAW - P/N 166449-20	21
<b>FIGURE 13</b> - MK-3026K CONCRETE SAW - P/N 166449-26	22
<b>FIGURE 14</b> - MK-3030K CONCRETE SAW - P/N 166449-30	23
<b>FIGURE 15</b> - ASSY, 20" BLADE GUARD - P/N 168279-20	24
<b>FIGURE 16</b> - ASSY, 26" BLADE GUARD - P/N 168279-26	25
<b>FIGURE 17</b> - ASSY, 30" BLADE GUARD - P/N 168279-30	26
<b>FIGURE 18</b> - ASSY, ENGINE, 3000V - P/N 162737	27
<b>FIGURE 19</b> - ASSY, ENGINE, 3000K - P/N 162738	28
<b>FIGURE 20</b> - ASSY, BLADESHAFT, 1-7/16 - P/N 166335	29
<b>FIGURE 21</b> - ASSY, CONTROL PANEL, 3000V - P/N 162739	30-31
<b>FIGURE 21</b> - ASSY, CONTROL PANEL, 3000K - P/N 166700	32-33
<b>FIGURE 22</b> - ASSY, FRAME SUB - P/N 166326	34-35
<b>FIGURE 24</b> - ASSY, TRUCK - P/N 162742	36
<b>FIGURE 26</b> - ASSY, AXLE, REAR - P/N 166331	37
<b>FIGURE 25</b> - ASSY, TRANSMISSION - P/N 166338	38-39
<b>FIGURE 27</b> - ASSY, FUEL TANK, GASOLINE - P/N 166357	40
<b>FIGURE 28</b> - ASSY, POINTER - P/N 162732	41
<b>FIGURE 29</b> - ASSY, SHAFT GUARD - P/N 166056	42
<b>FIGURE 30</b> - ASSY, CONTROLHEAD, FUR - P/N 162882	43
<b>FIGURE 31</b> - ASSY, WATER VALVE - P/N 164161	44
<b>FIGURE 32</b> - ASSY, ACTUATOR - P/N 167994	44
<b>FIGURE 33</b> - ASSY, DEPTH INDICATOR - P/N 162881	45
<b>FIGURE 34</b> - ASSY, TRANS. IDLER - P/N 164163	46
<b>FIGURE 35</b> - ASSY, WATER MANIFOLD, 2T - P/N 167624	46
<b>FIGURE 36</b> - ASSY, WATER MANIFOLD, 4T - P/N 167625	47
<b>FIGURE 37</b> - ASSY, REAR POINTER - P/N 163824	47

FIGURE 1 - PARTS LIST: MK-3000V CONCRETE SAW PARENT A - P/N 166447



ITEM NO.	DESCRIPTION	PART#	QTY.
1	HOSE, 3/8 X 5/8 VINYL, 12"	150845	1
2	WASHER, 3/8 SAE FLAT	150923	2
3	WASHER, 1/2 SAE FLAT	150924	4
4	CLAMP, 5/8 HOSE	151198	2
5	FITTING, 1/2 MNPT X 3/4 FNH	151322	1

FIGURE 1 - PARTS LIST: MK-3000V CONCRETE SAW PARENT A - P/N 166447

ITEM NO.	DESCRIPTION	PART#	QTY.
6	SCREW, 5/16-18 X 1 HEX HEAD	151743	19
7	WASHER, LOCK, SPLIT, 5/16	151747	23
8	WASHER, FLAT, SAE, 5/16	151754	19
9	NUT, 1/4-20 HEX	151893	2
10	WASHER, FLAT, SAE, 1/4	151915	2
11	NUT, 3/8-16 NYLK HEX	152505	1
12	WASHER, 1/2 SPLIT LOCK	153524	4
13	SCREW, HEX HEAD, CAP, 3/8-16X2-1/4	153529	1
14	SCREW, 1/2-13 X 1-1/4 HEX HEAD CAP	153532	4
15	FITTING, 1/2 MNPT X 3/8 BARB	153653	1
16	EYEBOLT, 1/4-20 X 2	153887	1
17	HOSE, 1/4 FUEL, 16"	154163	1
18	SCREW, PAN HD, 1/4-20X 3/4	157523	2
19	WASHER, FLAT, 5/8 SAE	158350	4
20	NUT, HEX, NYLK, 1/4-20	159857	2
21	RING, 5/8 E-STYLE RETAINING	160815	2
22	ASSY, CONTROL PANEL, 3000V	162739	1
23	CLAMP, HOSE, 15/16 TO 2-1/4	162816	2
24	BOLT, 5/16-18 X 1-1/2 HEX HEAD TAP	162819	4
25	FITTING, 1/2 NPT COUPLER	164208	1
26	ASSY, FRAME SUB	166326	1
27	PANEL, TOWER R/H	166351	1
28	PANEL, TOWER L/H	166352	1
29	PANEL, TOWER UPPER BACK	166353	1
30	ASSY, FUEL TANK, GASOLINE	166357	1
31	HOSE, 2.0 ID FUEL FILL (COMP)	167213	1
32	HOSE, FUEL, 1/2, LOW PERM, 32"	167674	1
33	BUSHING, 3/8 X 5/8 X 1	167993	1
34	ASSY, ACTUATOR	167994	1
35	PIN, MOUNTING, 5/8	167998	1
36	CLAMP, CUSHION LOOP, 3	170398	2
37	CANISTER, CARBON, 400CC	172607	1

FIGURE 2 - PARTS LIST: MK-3000V CONCRETE SAW PARENT B - P/N 166447

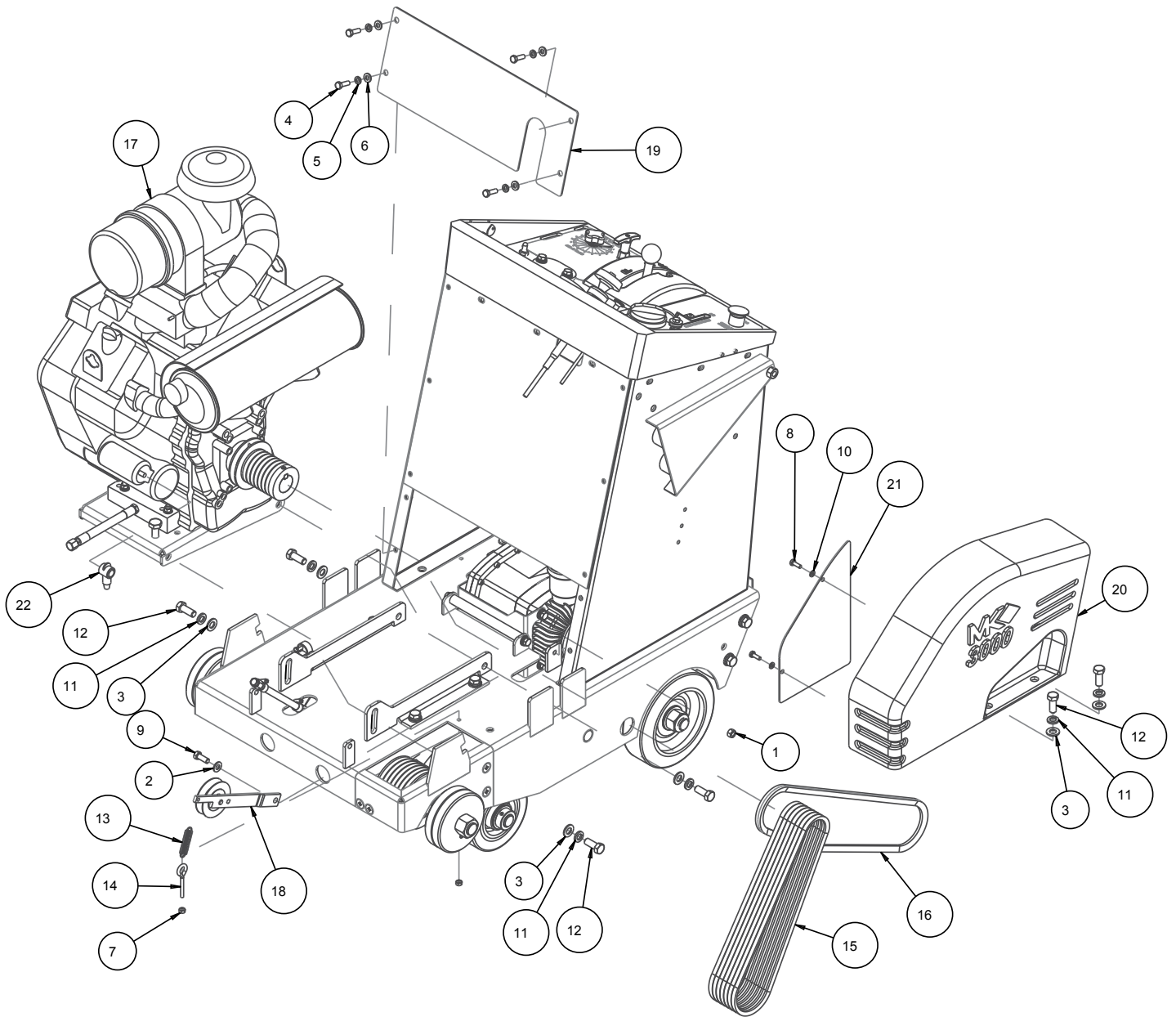


FIGURE 2 - PARTS LIST: MK-3000V CONCRETE SAW PARENT B - P/N 166447

ITEM NO.	DESCRIPTION	PART #	QTY.
1	NUT, 3/8-16 HEX	101188	1
2	WASHER, 3/8 SAE FLAT	150923	1
3	WASHER, 1/2 SAE FLAT	150924	6
4	SCREW, 5/16-18 X 1 HEX HEAD	151743	4
5	WASHER, LOCK, SPLIT, 5/16	151747	4
6	WASHER, FLAT, SAE, 5/16	151754	4
7	NUT, 1/4-20 HEX	151893	2
8	SCREW, 1/4-20 X 3/4 HEX HEAD	152370	2
9	SCREW, HEX HD CAP, 3/8-16 X 1	152507	1
10	WASHER, 1/4 SPLIT LOCK	152591	2
11	WASHER, 1/2 SPLIT LOCK	153524	6
12	SCREW, 1/2-13 X 1-1/4 HEX HEAD CAP	153532	6
13	SPRING, EXTENSION 9/16OD X 2.5L X .072WIRE	153807	1
14	EYEBOLT, 1/4-20 X 2	153887	1
15	BELT, V, 3VX375	157891	7
16	BELT, AX-44	161418	1
17	ASSY, ENGINE, 3000V	162737	1
18	ASSY, TRANS IDLER	164163	1
19	PANEL, TOWER LOWER FRONT	166356	1
20	CASTING, BELT GUARD (COMP)	166362	1
21	PLATE, BLT GRD, INNER	166637	1
22	INSULATOR, 8-2GA, RED	169355	1

FIGURE 3 - PARTS LIST: MK-3000V CONCRETE SAW PARENT C - P/N 166447

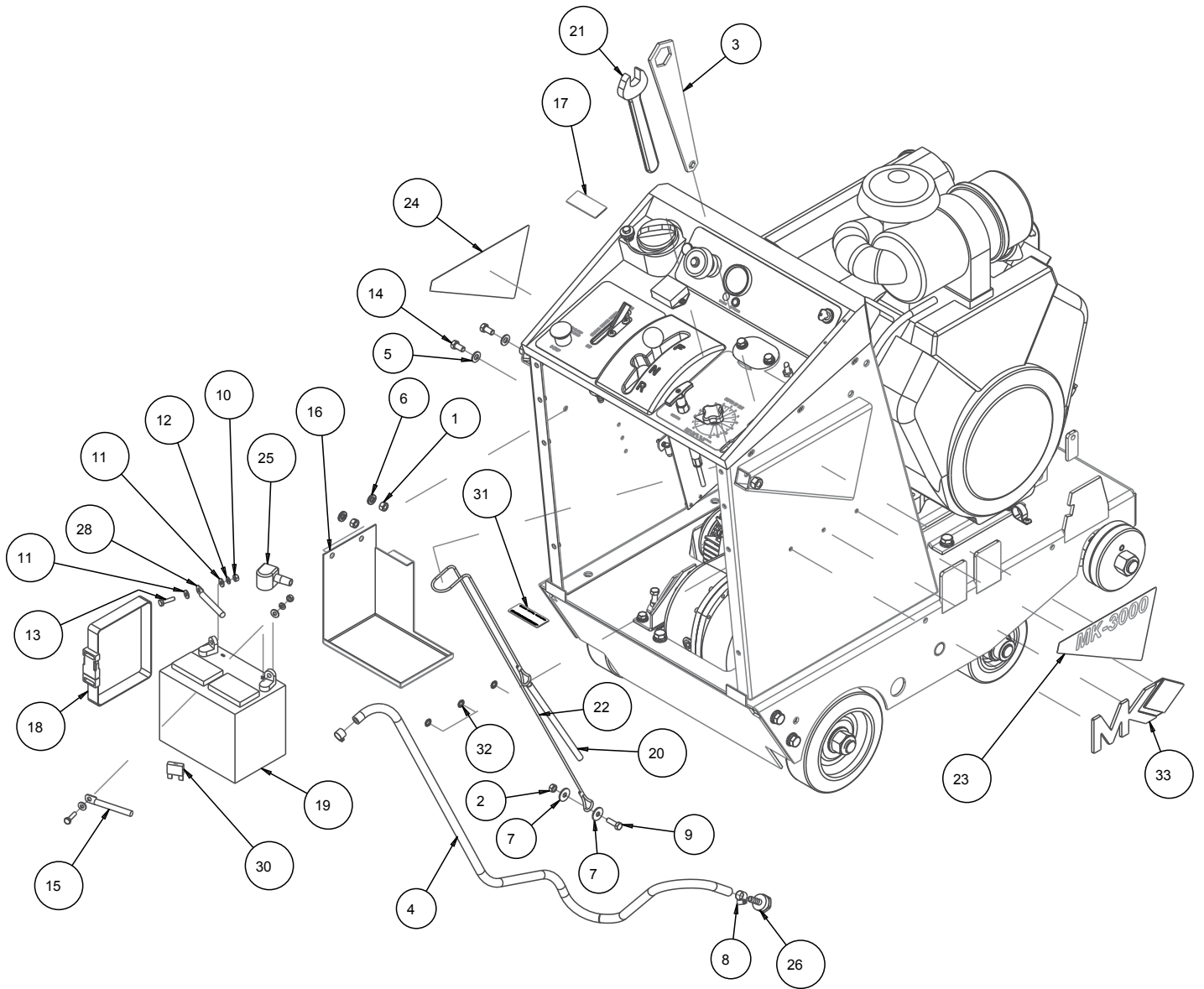
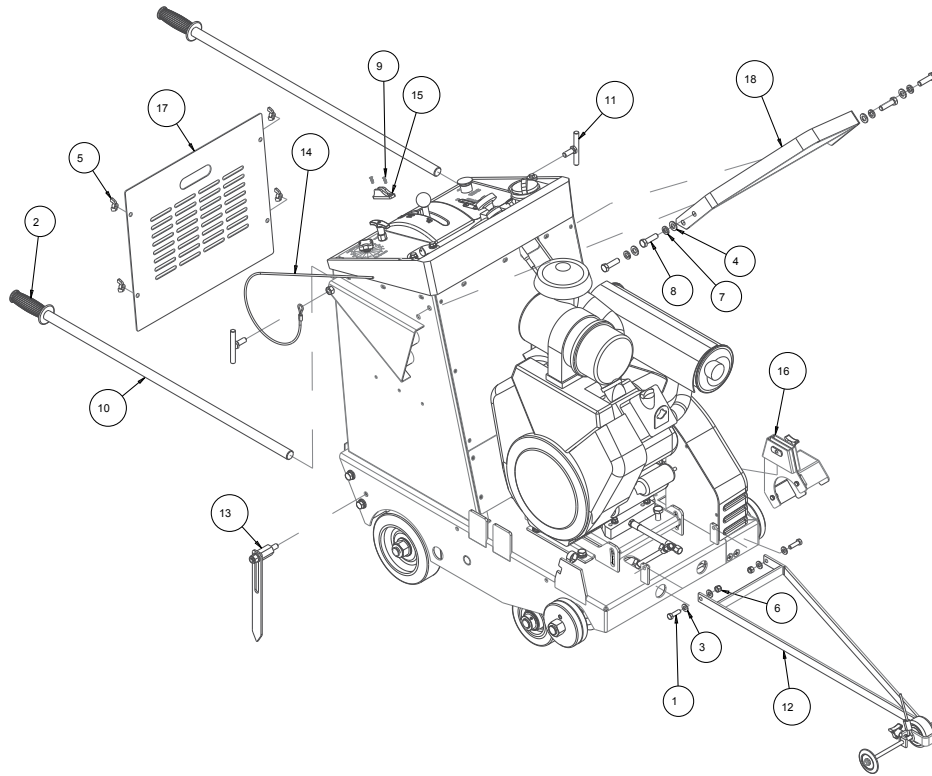




FIGURE 3 - PARTS LIST: MK-3000V CONCRETE SAW PARENT C - P/N 166447

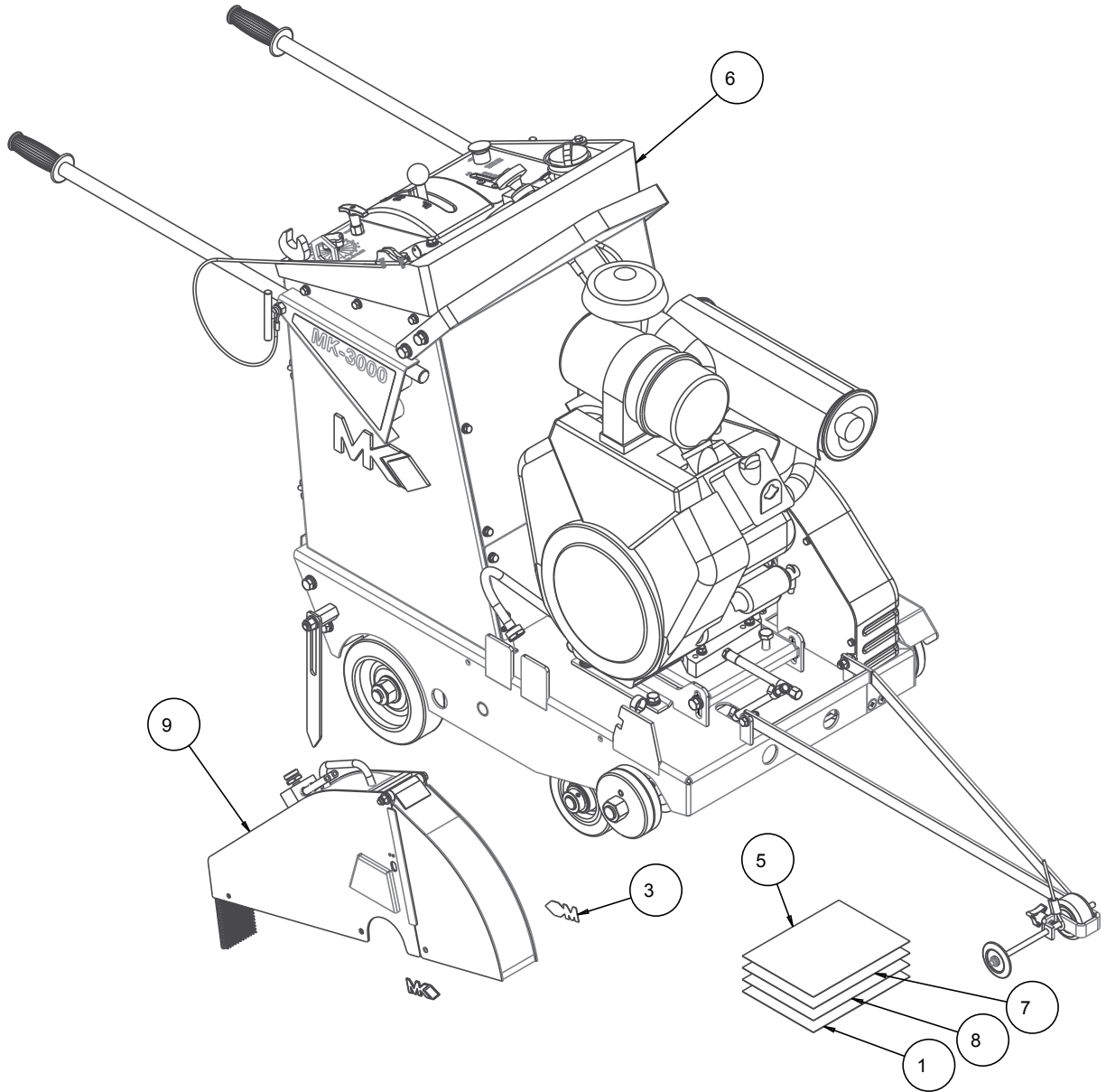
ITEM NO.	DESCRIPTION	PART #	QTY.
1	NUT, 3/8-16 HEX	101188	2
2	NUT, HEX, 5/16-18	101196	1
3	WRENCH, BOX END, 1-1/2 X 9/16	137976	1
4	HOSE, 3/8 X 5/8 VINYL, 36"	150845	1
5	WASHER, 3/8 SAE FLAT	150923	2
6	WASHER, 3/8 SPLIT LOCK	150925	2
7	WASHER, FENDER, 5/16 X 1.0	151053	2
8	CLAMP, 5/8 HOSE	151198	2
9	SCREW, 5/16-18 X 1 HEX HEAD	151743	1
10	NUT, 1/4-20 HEX	151893	2
11	WASHER, 1/4 SAE FLAT	151915	4
12	WASHER, 1/4 SPLIT LOCK	152591	2
13	SCREW, HEX HD TAP, 1/4-20 X 1	152676	2
14	SCREW, HEX, 3/8-16 X 3/4	153527	2
15	CABLE, 4GA X 48 RED BATTERY	153848	1
16	BOX, BATTERY	156634	1
17	TAG, SERIAL NUMBER, BLANK	157500-RW	1
18	STRAP, NYLON, 1"	158094	1
19	BATTERY, 12V, 35AH	162589	1
20	SPRING, EXTENSION, 7/16OD X 10.3L X .041WIRE	162627	1
21	WRENCH, 1" OPEN END	162656	1
22	CABLE, 44" DEPTH INDICATOR	162724	1
23	LABEL, PANEL, LOGO, RH	162725	1
24	LABEL, PANEL, LOGO, LH	162725	1
25	COVER, 1" BATTERY TERMINAL, RED	162769	1
26	FITTING, 3/4 X 11.5 FNH X 3/8 BARB	163991	1
27	WIRE HARNESS, 3000V	166355	1
28	CABLE, BATTERY, BLACK, 4GA 36"	167289	1
29	WIRE HARNESS, ELEC RAISE/LOWER	168009	1
30	FUSE, 50A MAXI BLADE	168970	1
31	TAG, EVAP, 30S, PARENT	169945-30S	1
32	RING, RETAINING, 5/16 SHAFT	171878	3
33	CASTING, MK LOGO, 3IN, COMP	172227	1

**FIGURE 4 - PARTS LIST: MK-3000V CONCRETE SAW PARENT D - P/N 166447**



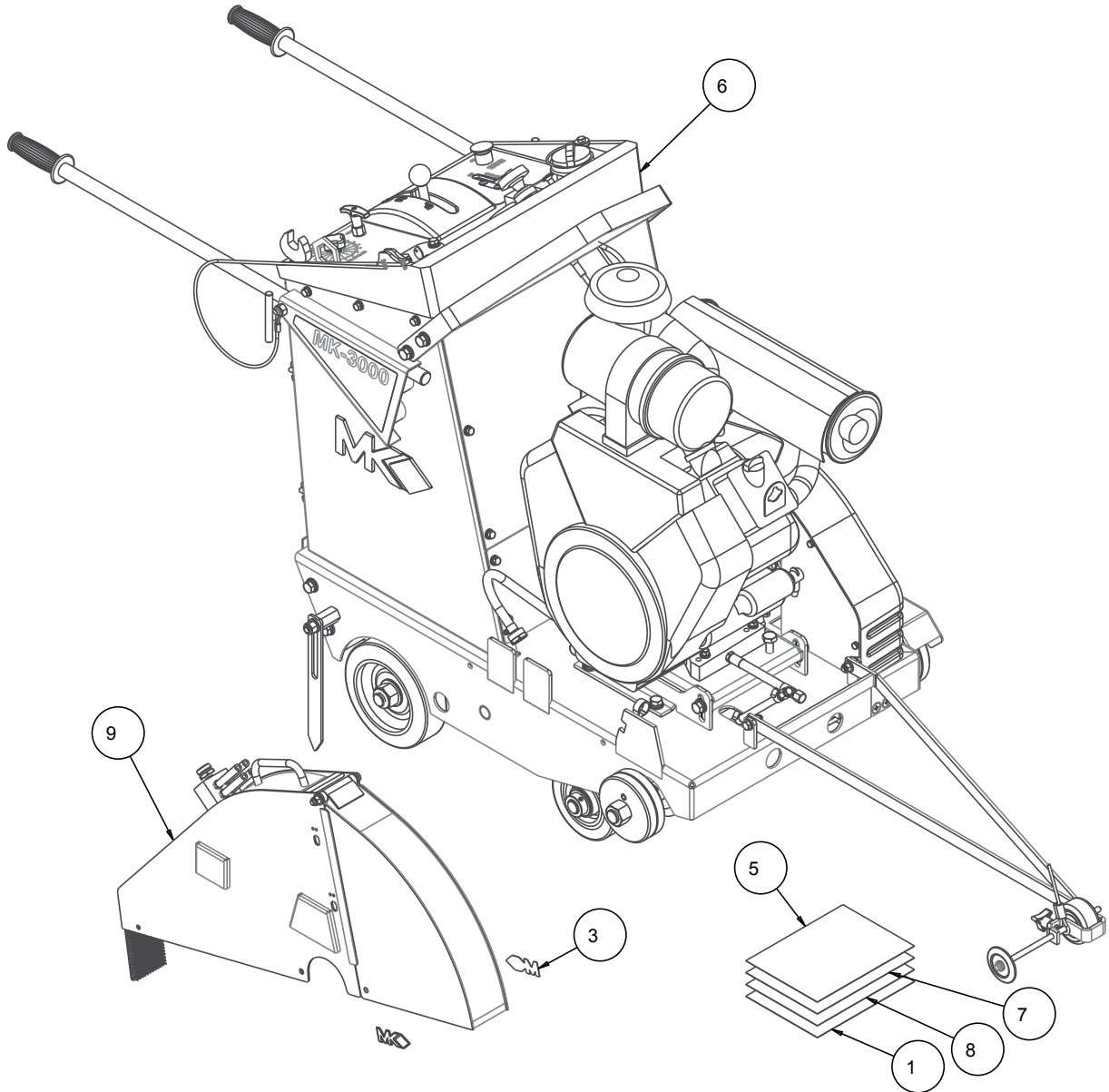
ITEM NO.	DESCRIPTION	PART #	QTY.
1	SCREW, 3/8-16 X 1-1/4 HEX HEAD CAP	150774	2
2	GRIP, HANDLE, 1.0 ID	150842	2
3	WASHER, 3/8 SAE FLAT	150923	4
4	WASHER, 1/2 SAE FLAT	150924	4
5	NUT, WING, 5/16-18 NYLOK	151746	4
6	NUT, 3/8-16 NYLOK HEX	152505	2
7	WASHER, 1/2 SPLIT LOCK	153524	4
8	SCREW, 1/2-13 X 1-3/4 HEX HEAD CAP	153853	4
9	SCREW, FLAT HD 10-24 X 5/8	154295	2
10	HANDLEBAR	161158	2
11	KNOB, 1/2-13 T-HANDLE	162635	2
12	ASSY, POINTER	162732	1
13	ASSY, REAR POINTER	163824	1
14	ASSY, CABLE, POINTER, 90"	165739-1	1
15	CLEAT, 1/8" CABLE	165740	1
16	ASSY, SHAFT GUARD	166056	1
17	PANEL, TOWER LOWER BACK	166354	1
18	BAIL, LIFTING	169089	1

**FIGURE 5 - PARTS LIST: MK-3020V CONCRETE SAW - P/N 166447-20**



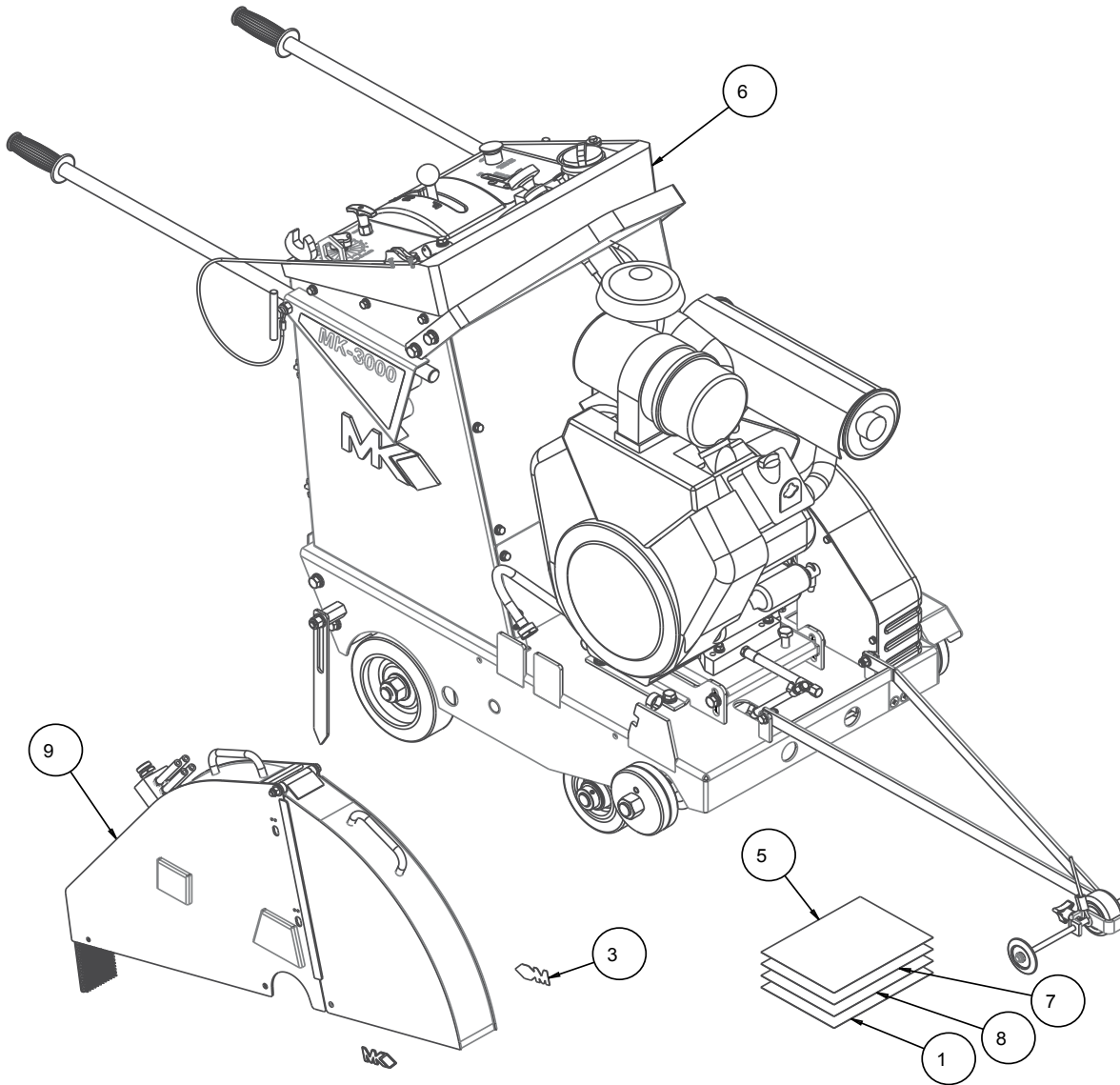
ITEM NO.	DESCRIPTION	PART #	QTY.
1	CARD, WARRANTY REGISTER SAW	155037	1
2	MANUAL TUBE, CLEAR	155419	1
3	LOGO, MK ADHESIVE	157914	2
4	PALLET, 4000	162658	1
5	ASSY, WARNING LABELS, CONCRETE	166009	1
6	MK-3000V CONC SAW PARENT	166447	1
7	OWNERS MANUAL, MK-3000 SERIES	166447-OM	1
8	PARTS MANUAL, MK-3000 SERIES	166447-PM	1
9	ASSY, BLADE GUARD 20"	170173-20	1

**FIGURE 6 - PARTS LIST: MK-3026V CONCRETE SAW - P/N 166447-26**



ITEM NO.	DESCRIPTION	PART #	QTY.
1	CARD, WARRANTY REGISTER SAW	155037	1
2	MANUAL TUBE, CLEAR	155419	1
3	LOGO, MK ADHESIVE	157914	2
4	PALLET, 4000	162658	1
5	ASSY, WARNING LABELS, CONCRETE	166009	1
6	MK-3000V CONC SAW PARENT	166447	1
7	OWNERS MANUAL, MK-3000 SERIES	166447-OM	1
8	PARTS MANUAL, MK-3000 SERIES	166447-PM	1
9	ASSY, BLADE GUARD 26"	170173-26	1

**FIGURE 7 - PARTS LIST: MK-3030V CONCRETE SAW - P/N 166447-30**



ITEM NO.	DESCRIPTION	PART #	QTY.
1	CARD, WARRANTY REGISTER SAW	155037	1
2	MAUNAL TUBE, CLEAR	155419	1
3	LOGO, MK ADHESIVE	157914	2
4	PALLET, 4000	162658	1
5	ASSY, WARNING LABELS, CONCRETE	166009	1
6	MK-3000V CONC SAW PARENT	166447	1
7	OWNERS MANUAL, MK-3000 SERIES	166447-OM	1
8	PARTS MANUAL, MK-3000 SERIES	166447-PM	1
9	ASSY, BLADE GUARD 30"	170173-30	1

FIGURE 8 - PARTS LIST: MK-3000K CONCRETE SAW PARENT A - P/N 166449

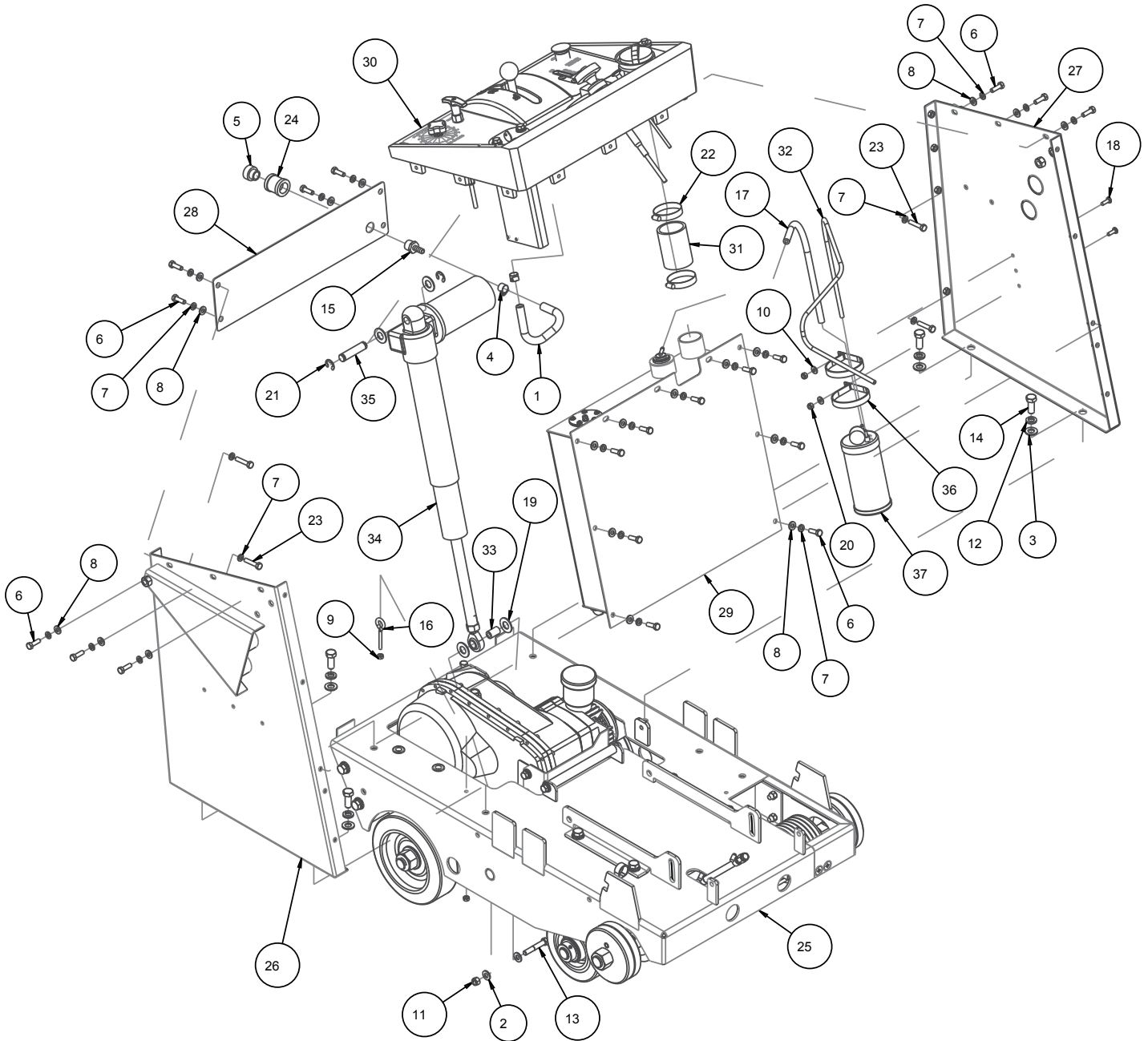


FIGURE 8 - PARTS LIST: MK-3000K CONCRETE SAW PARENT A - P/N 166449

ITEM NO.	DESCRIPTION	PART #	QTY.
1	HOSE, 3/8 X 5/8 VINYL, 12"	150845	1
2	WASHER, 3/8 SAE FLAT	150923	2
3	WASHER, 1/2 SAE FLAT	150924	4
4	CLAMP, 5/8 HOSE	151198	2
5	FITTING, 1/2 MNPT X 3/4 FNH	151322	1
6	SCREW, HEX, 5/16 - 18 X 1	151743	19
7	WASHER, LOCK, SPLIT, 5/16	151747	23
8	WASHER, FLAT, SAE, 5/16	151754	19
9	NUT, 1/4-20 HEX	151893	2
10	WASHER, FLAT, SAE, 1/4	151915	2
11	NUT, 3/8 - 16 NYLK HEX	152505	1
12	WASHER, 1/2 SPLIT LOCK	153524	4
13	SCREW, HEX HEAD, CAP, 3/8 - 16 X 2-1/4	153529	1
14	SCREW, 1/2 - 13 X 1 - 1/4 HEX HEAD CAP	153532	4
15	FITTING, 1/2 MNPT X 3/8 BARB	153653	1
16	EYEBOLT, 1/4 - 20 X 2	153887	1
17	HOSE, 1/4 FUEL, 16"	154163	1
18	SCREW, PAN HD, 1/4-20 X 3/4	157523	2
19	WASHER, FLAT, 5/8 SAE	158350	4
20	NUT, HEX, NYLK, 1/4-20	159857	2
21	RING, 5/8 E-STYLE RETAINING	160815	2
22	CLAMP, 1 - 5/16 TO 2 - 1/4 HOSE	162816	2
23	BOLT, 5/16/- 18 X 1-1/2 HEX HEAD TAP	162819	4
24	FITTING, 1/2 NPT COUPLER	164208	1
25	ASSY, FRAME SUB	166326	1
26	PANEL, TOWER R/H	166351	1
27	PANEL, TOWER L/H	166352	1
28	PANEL, TOWER UPPPER BACK	166353	1
29	ASSY, FUEL TANK, GASOLINE	166357	1
30	ASSY, CONTROL PANEL, 3000K	166700	1
31	HOSE, 2.0 ID FUEL FILL (COMP)	167213	1
32	HOSE, FUEL, 3/16, LOW PERM, 36"	167674	1
33	BUSHING, 3/8 X 5/8 X 1	167993	1
34	ASSY, ACTUATOR	167994	1
35	PIN, MOUNTING, 5/8	167998	1
36	CLAMP, CUSHION LOOP, 3	170398	2
37	CANISTER, CARBON,400CC	172607	1

FIGURE 9 - PARTS LIST: MK-3000K CONCRETE SAW PARENT B - P/N 166449

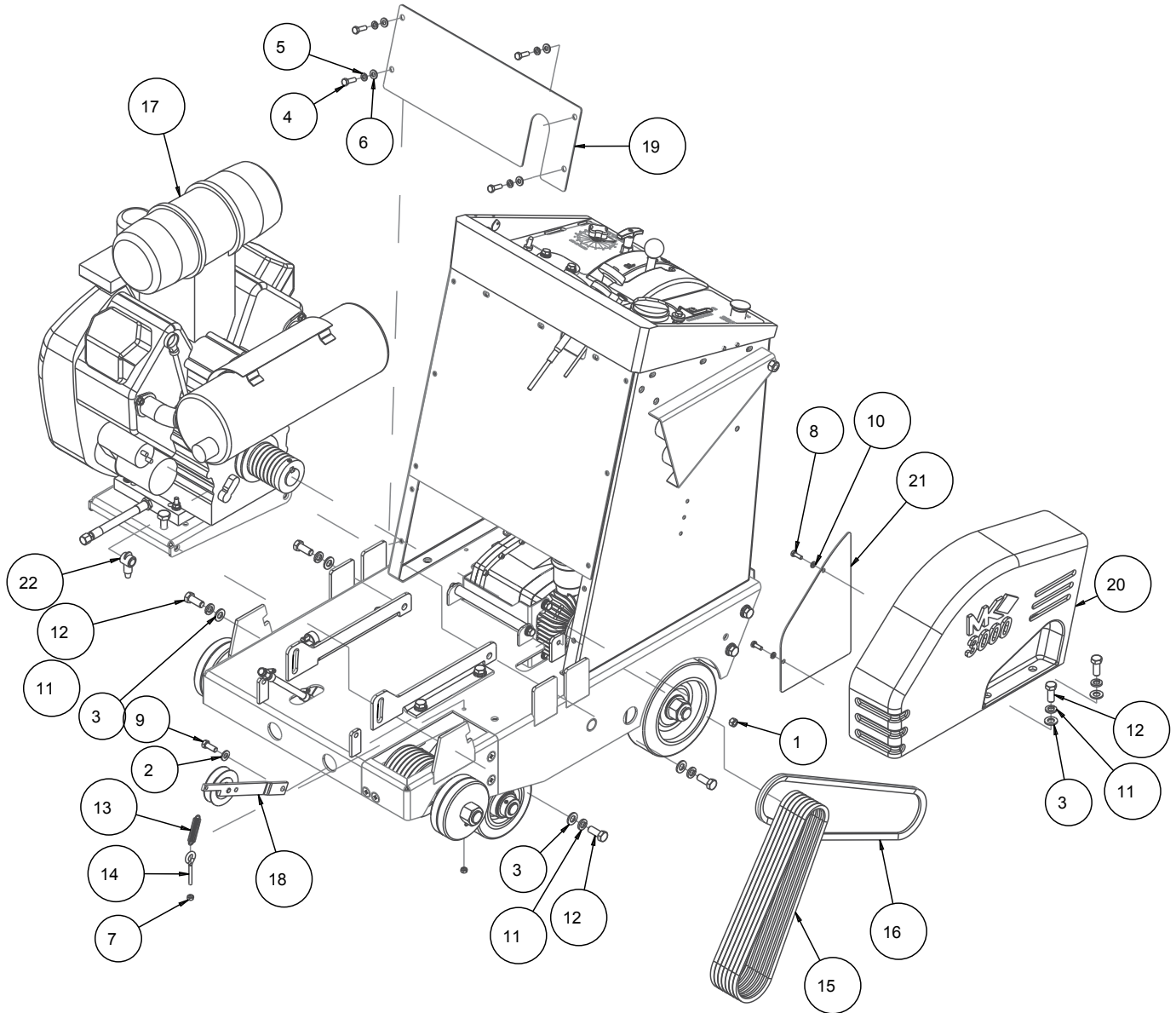




FIGURE 9 - PARTS LIST: MK-3000K CONCRETE SAW PARENT B - P/N 166449

ITEM NO.	DESCRIPTION	PART #	QTY.
1	NUT, 3/8-16 HEX	101188	1
2	WASHER, FLAT, SAE, 3/8	150923	1
3	WASHER, 1/2 SAE FLAT	150924	6
4	SCREW, HEX HEAD, 5/16-18 X 1	151743	4
5	WASHER, LOCK, SPLIT, 5/16	151747	4
6	WASHER, FLAT, SAE, 5/16	151754	4
7	NUT, 1/4-20 HEX	151893	2
8	SCREW, HEX HEAD, 1/4-20 X 3/4	152370	2
9	SCREW, HEX HD CAP, 3/8-16 X 1	152507	1
10	WASHER, LOCK, SPLIT, 1/4	152591	2
11	WASHER, 1/2 SPLIT LOCK	153524	6
12	SCREW, 1/2-13 X 1-1/4 HEX HEAD CAP	153532	6
13	SPRING, EXTENSION, 9/16OD X 2.5L X .072WIRE	153807	1
14	EYEBOLT, 1/4-20 X 2	153887	1
15	BELT, V, 3VX375	157891	7
16	BELT, AX-44	161418	1
17	ASSY, ENGINE, 3000K	162738	1
18	ASSY, TRANS IDLER	164163	1
19	PANEL, TOWER LOWER FRONT	166356	1
20	CASTING, BELT GUARD (COMP)	166362	1
21	PLATE, BLT GRD, INNER	166637	1
22	INSULATOR, 8-2GA, RED	169355	1

FIGURE 10 - PARTS LIST: MK-3000K CONCRETE SAW PARENT C - P/N 166449

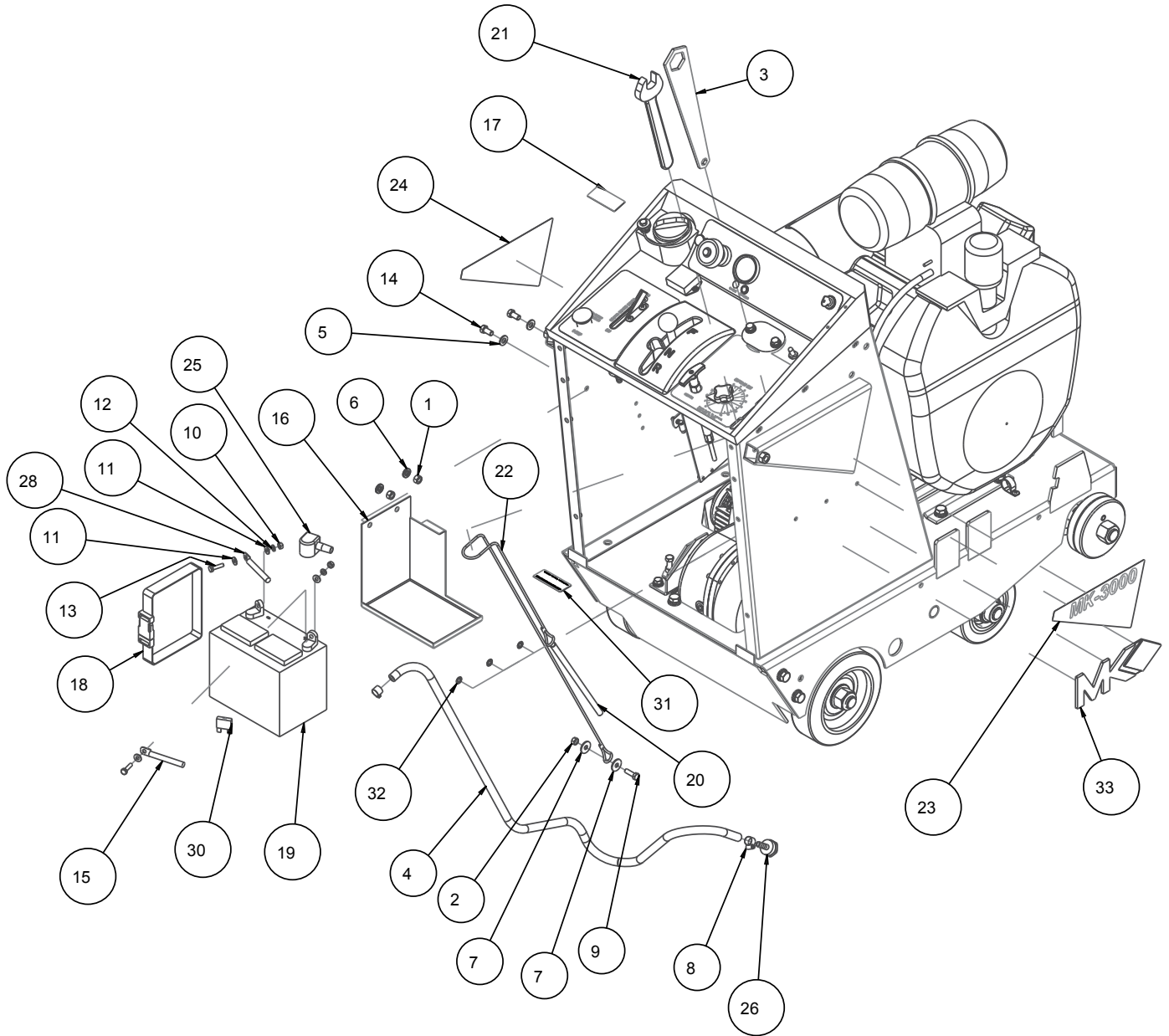
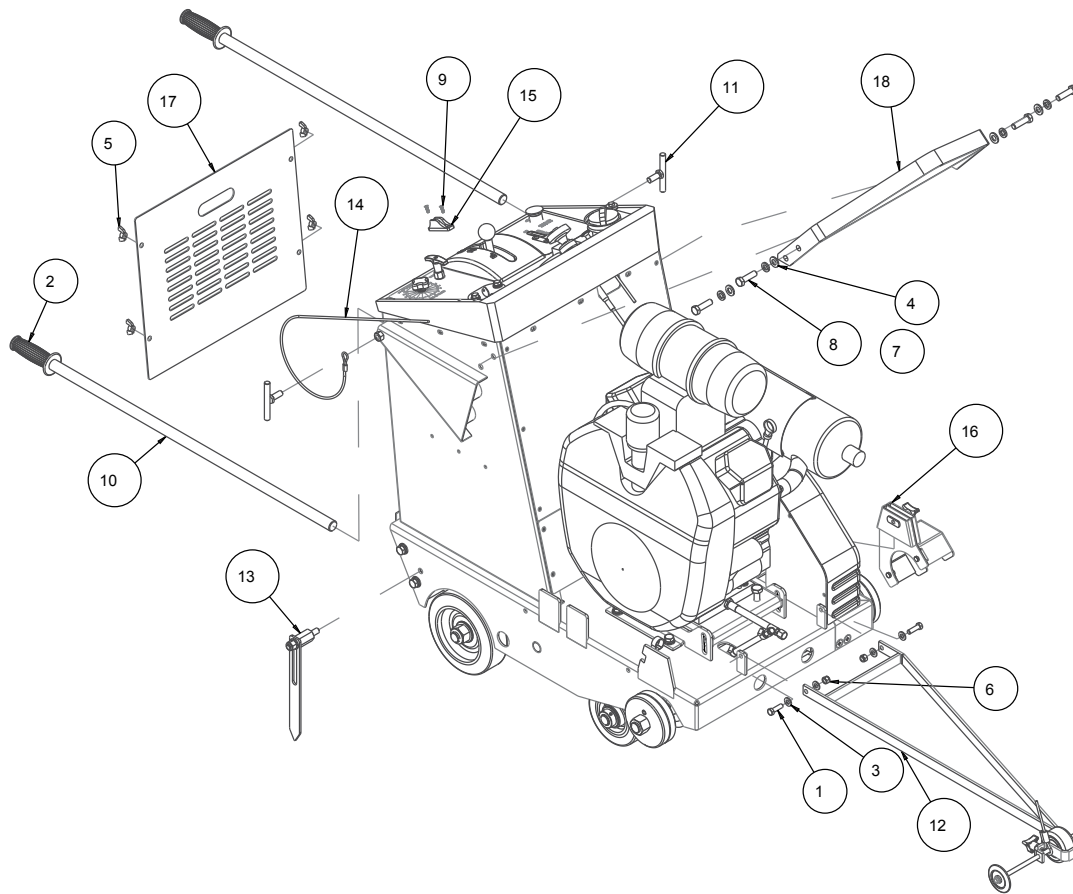


FIGURE 10 - PARTS LIST: MK-3000K CONCRETE SAW PARENT C - P/N 166449

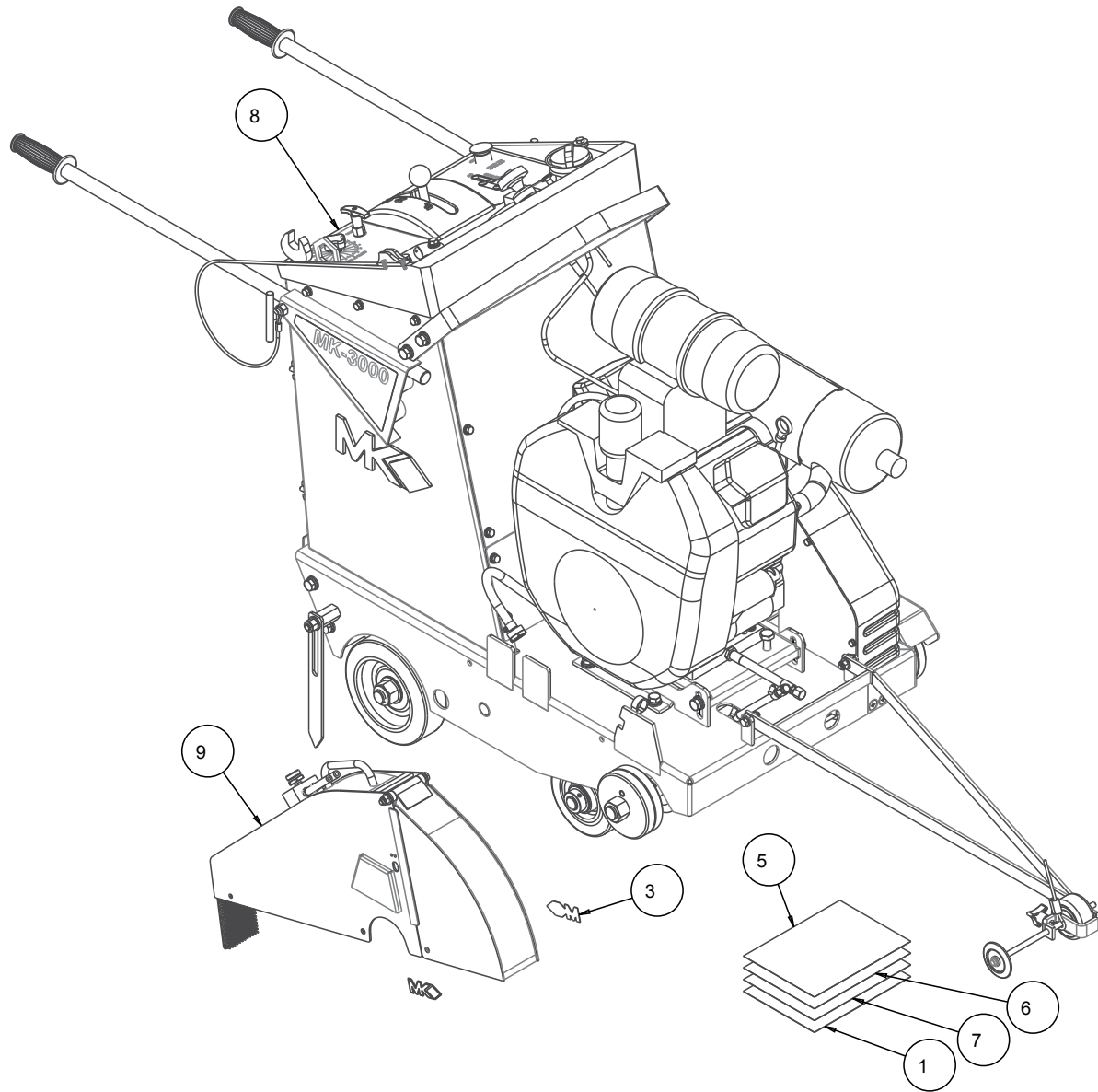
ITEM NO.	DESCRIPTION	PART #	QTY.
1	NUT, 3/8-16 HEX	101188	2
2	NUT, HEX, 5/16-18	101196	1
3	WRENCH, BOX END, 1-1/2 X 9/16	137976	1
4	HOSE, 3/8 X 5/8 VINYL, 36"	150845	1
5	WASHER, 3/8 SAE FLAT	150923	2
6	WASHER, LOCK, SPLIT, 3/8	150925	2
7	WASHER, FENDER, 5/16 X 1.0	151053	2
8	CLAMP, HOSE, 5/8	151198	2
9	SCREW, HEX HEAD, 5/16-18 X 1	151743	1
10	NUT, HEX, 1/4-20	151893	2
11	WASHER, FLAT, SAE, 1/4	151915	4
12	WASHER, LOCK, SPLIT, 1/4	152591	2
13	SCREW, HEX HD, TAP, 1/4-20X1	152676	2
14	SCREW, HEX, 3/8-16 X 3/4	153527	2
15	CABLE, 4GA X 48 RED BATTERY	153848	1
16	BOX, BATTERY	156634	1
17	TAG, SERIAL NUMBER, BLANK	157500-RW	1
18	STRAP, NYLON, 1"	158094	1
19	BATTERY, 12V, 35AH	162589	1
20	SPRING, EXTENSION, 7/16OD X 10.3L X .041WIRE	162627	1
21	WRENCH, 1" OPEN END	162656	1
22	CABLE, 44" DEPTH INDICATOR	162724	1
23	LABEL, PANEL, LOGO, RH	162725	1
24	LABEL, PANEL, LOGO, LH	162725	1
25	COVER, 1" BATTERY TERMINAL, RED	162769	1
26	FITTING, 3/4 X 11.5 FNH X 3/8 BARB	163991	1
27	WIRE HARNESS, 3000K	166638	1
28	CABLE, BATTERY, BLACK, 4GA 36"	167289	1
29	WIRE HARNESS, RAISE/LOWER	168009	1
30	FUSE, 50A MAXI BLADE	168970	1
31	TAG, EVAP, 30S, PARENT	169945-30S	1
32	RING, RETAINING, 5/16 SHAFT	171878	3
33	CASTING, MK LOGO, 3IN COMP	172227	1

**FIGURE 11 - PARTS LIST: MK-3000K CONCRETE SAW PARENT D - P/N 166449**



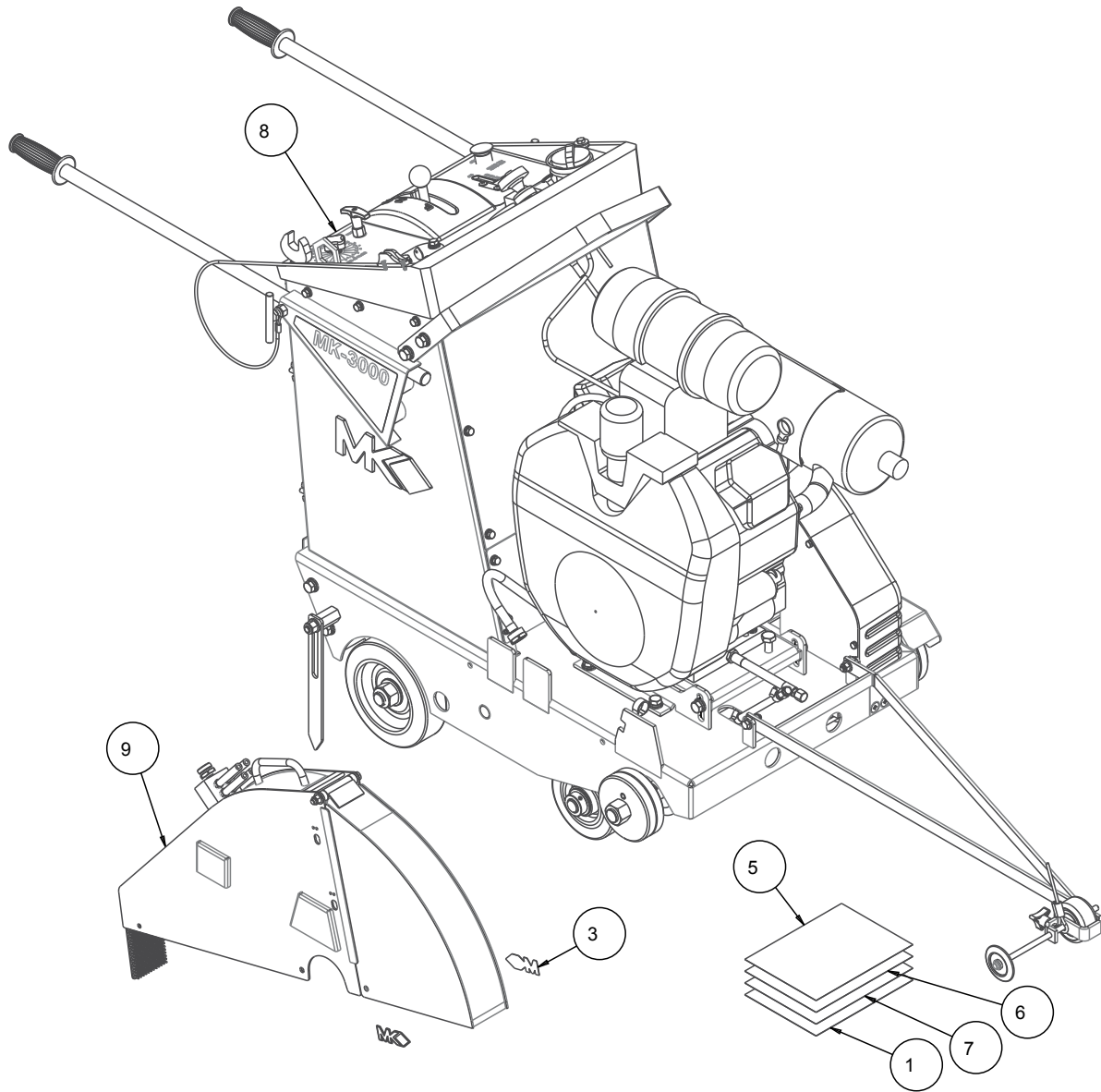
ITEM NO.	DESCRIPTION	PART #	QTY.
1	SCREW, 3/8-16 X 1-1/4 HEX HEAD CAP	150774	2
2	GRIP, HANDLE, 1.0 ID	150842	2
3	WASHER, 3/8 SAE FLAT	150923	4
4	WASHER, 1/2 SAE FLAT	150924	4
5	NUT, WING, 5/16-18 NYLOK	151746	4
6	NUT, 3/8-16 NYLOK HEX	152505	2
7	WASHER, 1/2 SPLIT LOCK	153524	4
8	SCREW, 1/2-13 X 1-3/4 HEX HEAD CAP	153853	4
9	SCREW, FLAT HD 10-24 X 5/8	154295	2
10	HANDLEBAR	161158	2
11	KNOB, 1/2-13 T-HANDLE	162635	2
12	ASSY, POINTER	162732	1
13	ASSY, REAR POINTER	163824	1
14	ASSY, CABLE, POINTER, 90"	165739-1	1
15	CLEAT, 1/8" CABLE	165740	1
16	ASSY, SHAFT GUARD	166056	1
17	PANEL, TOWER LOWER BACK	166354	1
18	BAIL, LIFTING	169089	1

**FIGURE 12 - PARTS LIST: MK-3020K CONCRETE SAW - P/N 166449-20**



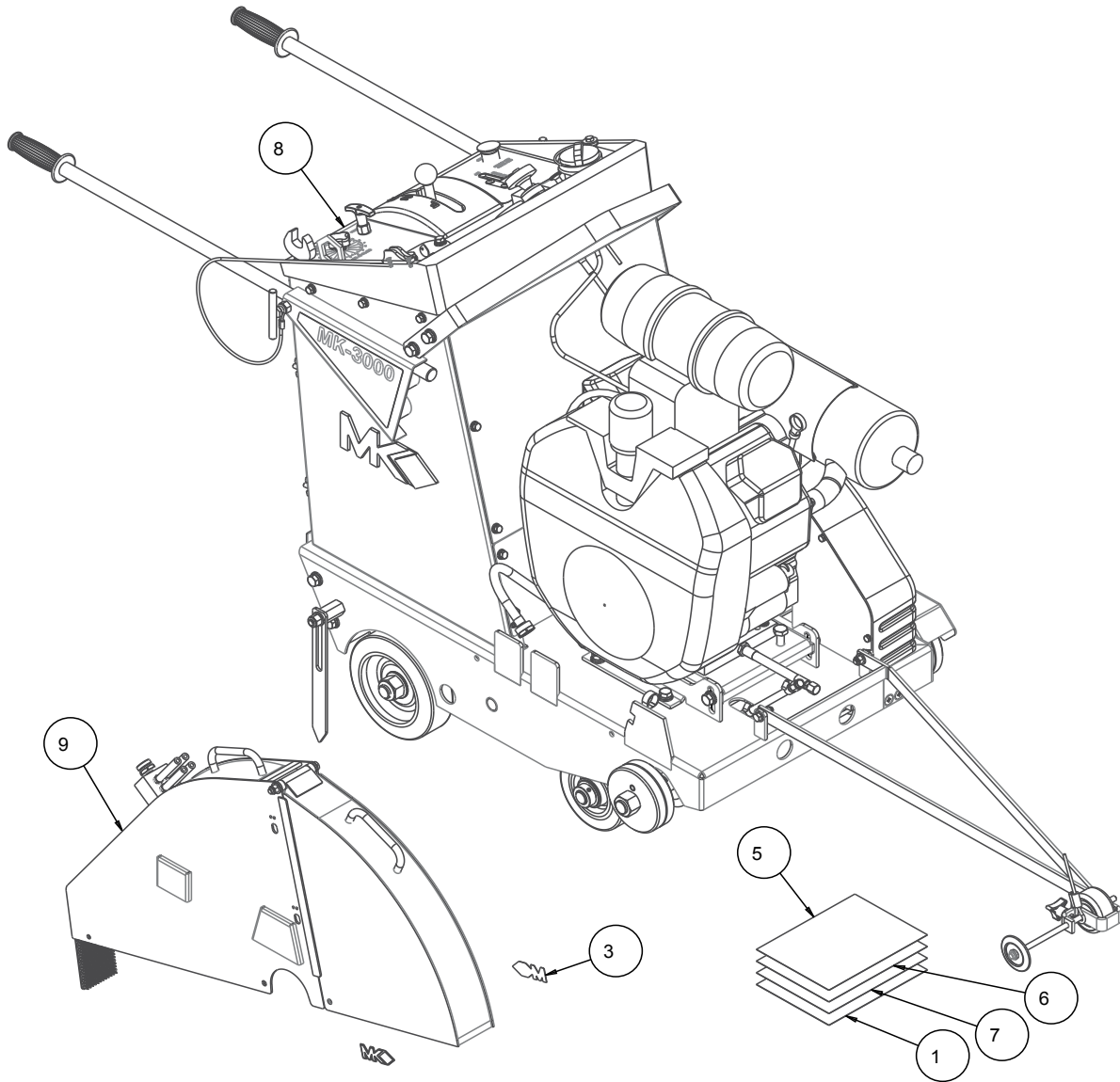
ITEM NO.	DESCRIPTION	PART #	QTY.
1	CARD, WARRANTY REGISTER SAW	155037	1
2	MANUAL TUBE, CLEAR	155419	1
3	LOGO, MK ADHESIVE	157914	2
4	PALLET, 4000	162658	1
5	ASSY, WARNING LABELS, CONCRETE	166009	1
6	OWNERS MANUAL, MK-3000 SERIES	166447-OM	1
7	PARTS MANUAL, MK-3000 SERIES	166447-PM	1
8	MK-3000K CONC SAW PARENT	166449	1
9	ASSY, BLADE GUARD 20"	170173-20	1

**FIGURE 13 - PARTS LIST: MK-3026K CONCRETE SAW - P/N 166449-26**



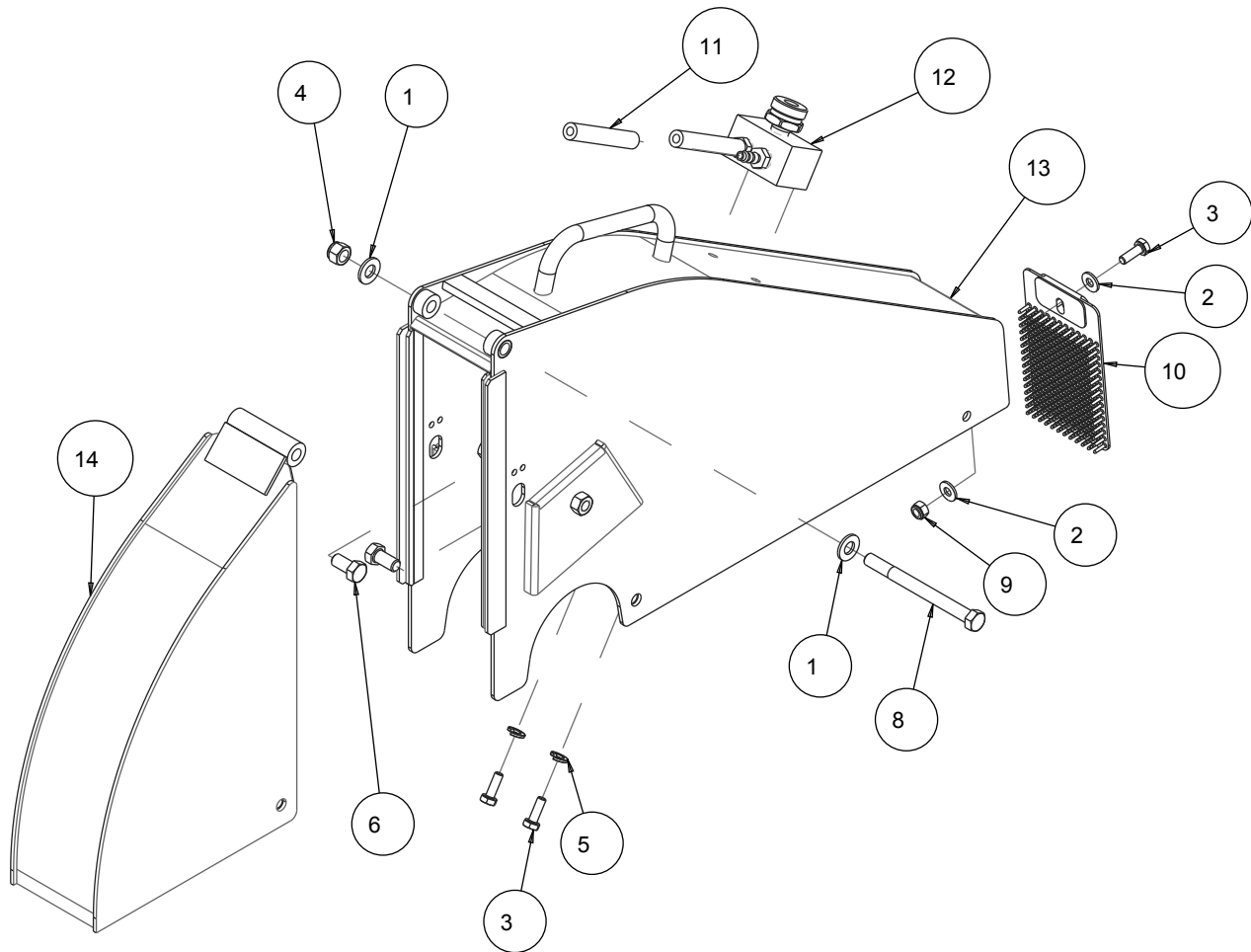
ITEM NO.	DESCRIPTION	PART #	QTY.
1	CARD, WARRANTY REGISTER SAW	155037	1
2	MANUAL TUBE, CLEAR	155419	1
3	LOGO, MK ADHESIVE	157914	2
4	PALLET, 4000	162658	1
5	ASSY, WARNING LABELS, CONCRETE	166009	1
6	OWNERS MANUAL, MK-3000 SERIES	166447-OM	1
7	PARTS MANUAL, MK-3000 SERIES	166447-PM	1
8	MK-3000K CONC SAW PARENT	166449	1
9	ASSY, BLADE GUARD 26"	170173-26	1

**FIGURE 14 - PARTS LIST: MK-3030K CONCRETE SAW - P/N 166449-30**



ITEM NO.	DESCRIPTION	PART #	QTY.
1	CARD, WARRANTY REGISTER SAW	155037	1
2	MANUAL TUBE, CLEAR	155419	1
3	LOGO, MK ADHESIVE	157914	2
4	PALLET, 4000	162658	1
5	ASSY, WARNING LABELS, CONCRETE	166009	1
6	OWNERS MANUAL, MK-3000 SERIES	166447-OM	1
7	PARTS MANUAL, MK-3000 SERIES	166447-PM	1
8	MK-3000K CONC SAW PARENT	166449	1
9	ASSY, BLADE GUARD 30"	170173-30	1

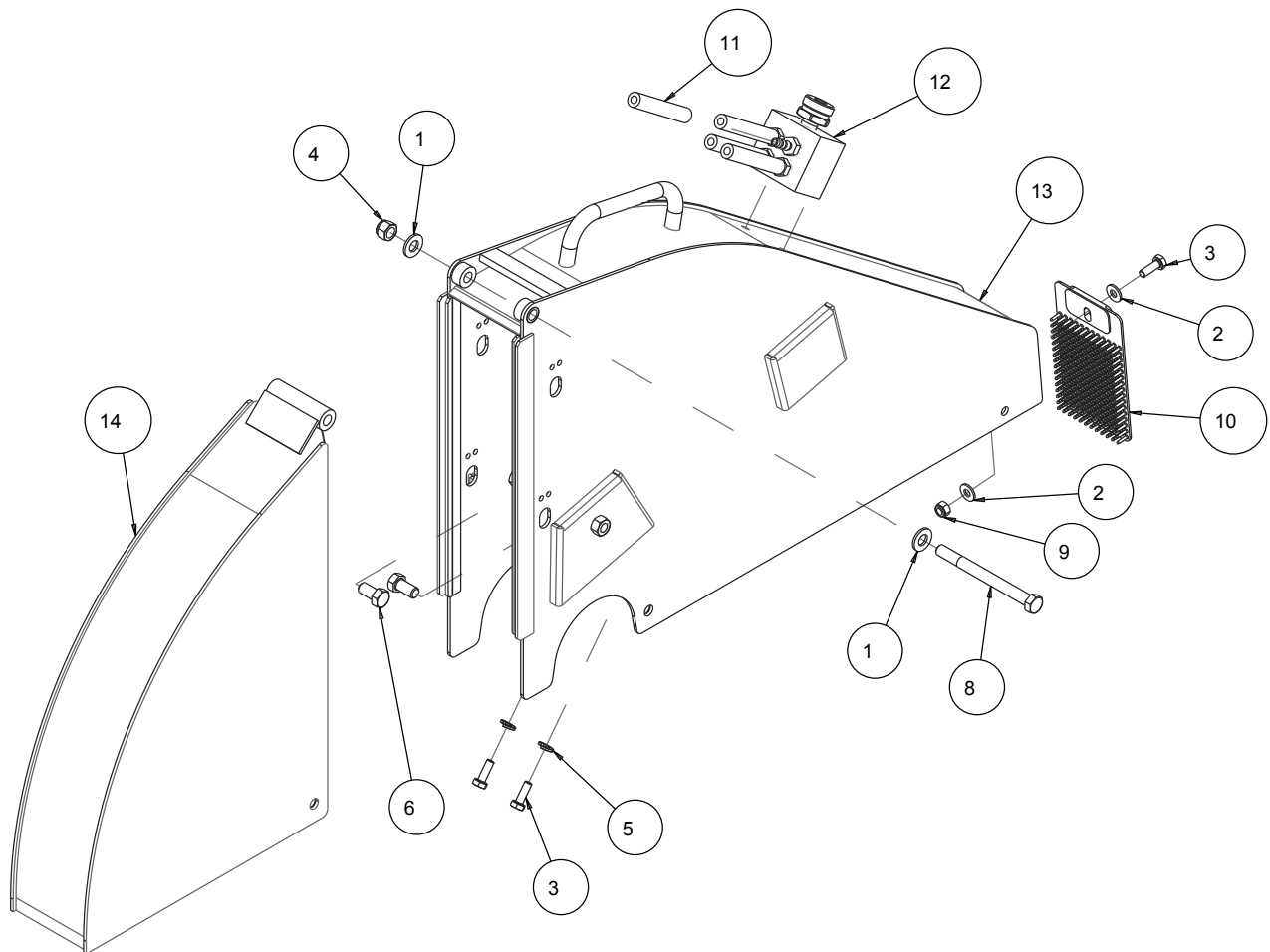
FIGURE 15 - PARTS LIST: ASSY, 20" BLADE GUARD - P/N 170173-20



ITEM NO.	DESCRIPTION	PART #	QTY.
1	WASHER, FLAT, SAE, 3/8	150923	2
2	WASHER, FLAT, SAE, 1/4	151915	2
3	SCREW, HEX HD, 1/4-20X3/4	152370	3
4	NUT, HEX, NYLK, 3/8-16	152505	1
5	WASHER, LOCK, SPLIT, 1/4	152591	2
6	SCREW, HEX, 3/8-16 X 3/4	153527	2
7	TIE, NYLON CABLE, 1/8 X 4, BLACK	158528	4
8	SCREW, HEX HD, 3/8-16 X 4-1/4	158604	1
9	NUT, HEX NYLOK, 1/4-20	159857	1
10	GUARD, SPLASH	160310	1
11	HOSE, VINYL, 1/4 X 1/2 (24"L)	167620	2
12	ASSY, WATER MANIFOLD, 2T	167624	1
13	GUARD, BLD, 20" REAR	170171-20	1
14	GUARD, BLD, 20" FRONT	170172-20	1

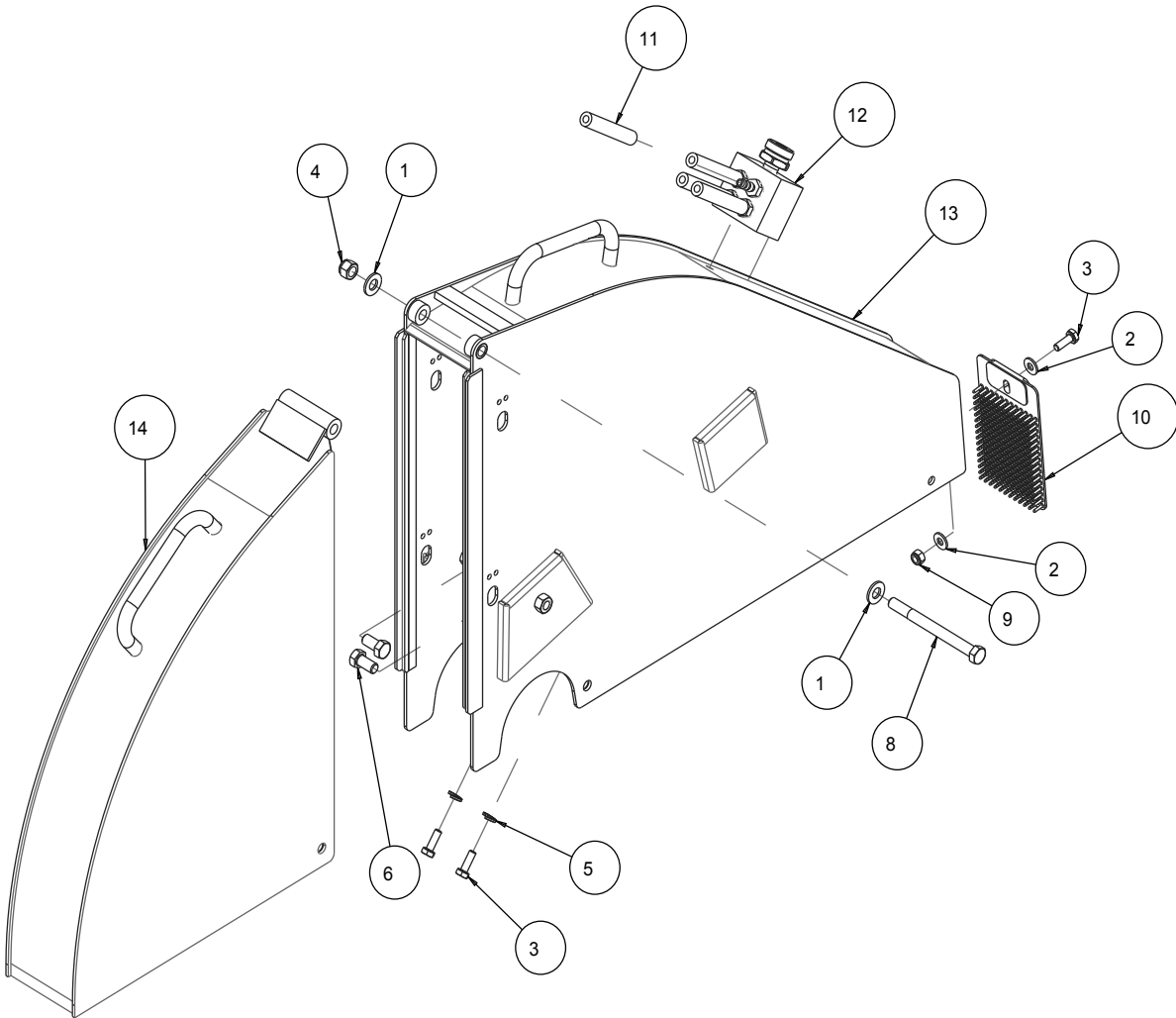


FIGURE 16 - PARTS LIST: ASSY, 26" BLADE GUARD - P/N 170173-26



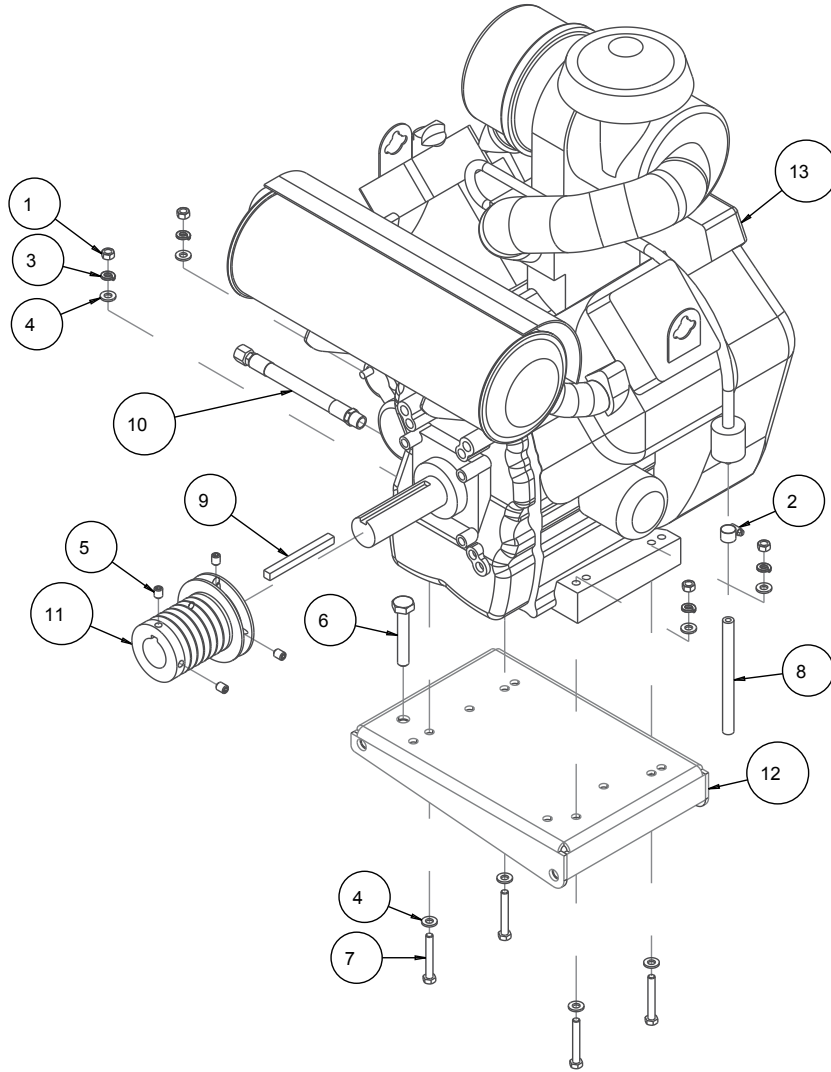
ITEM NO.	DESCRIPTION	PART #	QTY.
1	WASHER, FLAT, SAE, 3/8	150923	2
2	WASHER, FLAT, SAE, 1/4	151915	2
3	SCREW, HEX HD, 1/4-20X3/4	152370	3
4	NUT, HEX, NYLK, 3/8-16	152505	1
5	WASHER, LOCK, SPLIT, 1/4	152591	2
6	SCREW, HEX, 3/8-16 X 3/4	153527	2
7	TIE, NYLON CABLE, 1/8 X 4, BLACK	158528	4
8	SCREW, HEX HD, 3/8-16 X 4-1/4	158604	1
9	NUT, HEX NYLOK, 1/4-20	159857	1
10	GUARD, SPLASH	160310	1
11	HOSE, VINYL, 1/4 X 1/2 (24"L)	167620	4
12	ASSY, WATER MANIFOLD, 4T	167625	1
13	GUARD, BLD, 26" REAR	170171-26	1
14	GUARD, BLD, 26" FRONT	170172-26	1

FIGURE 17 - PARTS LIST: ASSY, 30" BLADE GUARD - P/N 170173-30



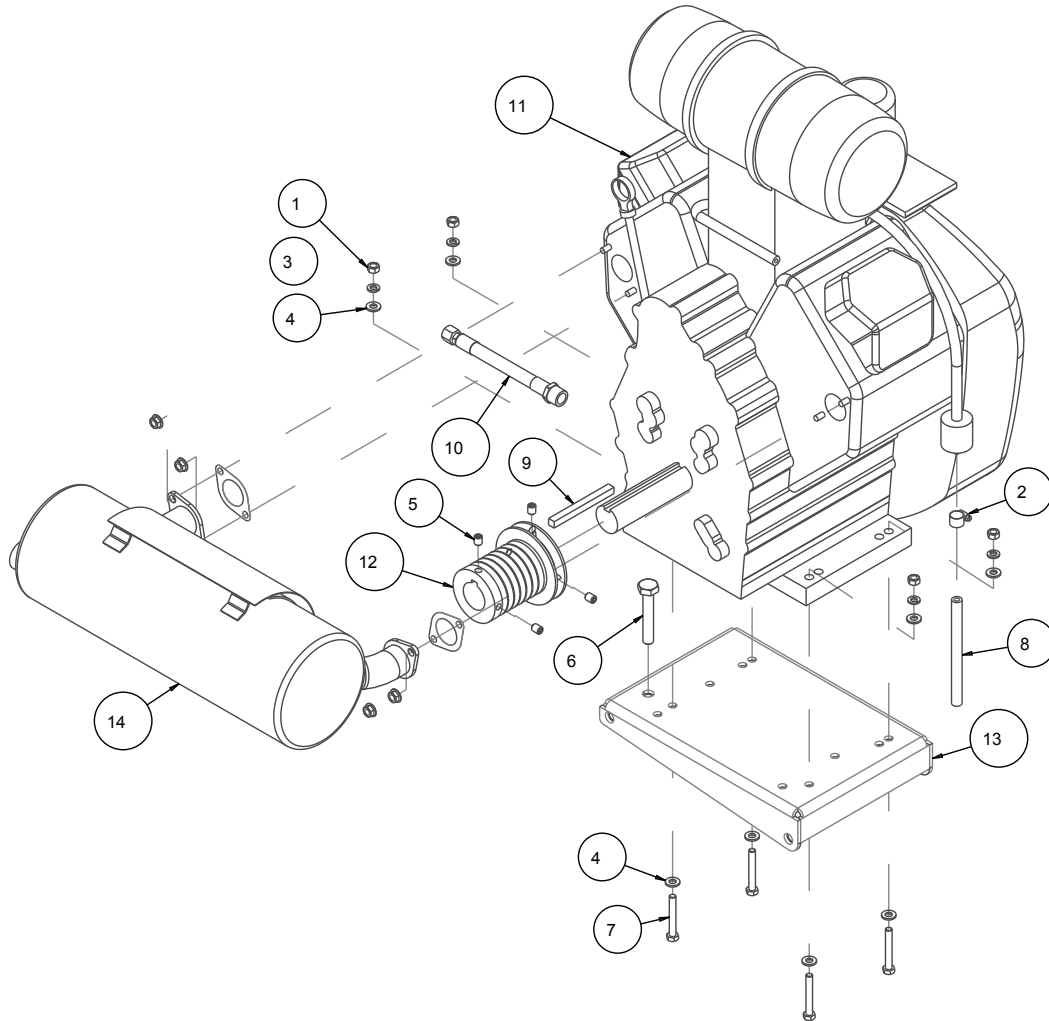
ITEM NO.	DESCRIPTION	PART #	QTY.
1	WASHER, FLAT, SAE, 3/8	150923	2
2	WASHER, FLAT, SAE, 1/4	151915	2
3	SCREW, HEX HD, 1/4-20X3/4	152370	3
4	NUT, HEX, NYLK, 3/8-16	152505	1
5	WASHER, LOCK, SPLIT, 1/4	152591	2
6	SCREW, HEX, 3/8-16 X 3/4	153527	2
7	TIE, NYLON CABLE, 1/8 X 4, BLACK	158528	4
8	SCREW, HEX HD, 3/8-16 X 4-1/4	158604	1
9	NUT, HEX NYLOK, 1/4-20	159857	1
10	GUARD, SPLASH	160310	1
11	HOSE, VINYL, 1/4 X 1/2 (24"L)	167620	4
12	ASSY, WATER MANIFOLD, 4T	167625	1
13	GUARD, BLD, 30" REAR	170171-30	1
14	GUARD, BLD, 30" FRONT	170172-30	1

FIGURE 18 - PARTS LIST: ASSY, ENGINE, 3000V - P/N 162737



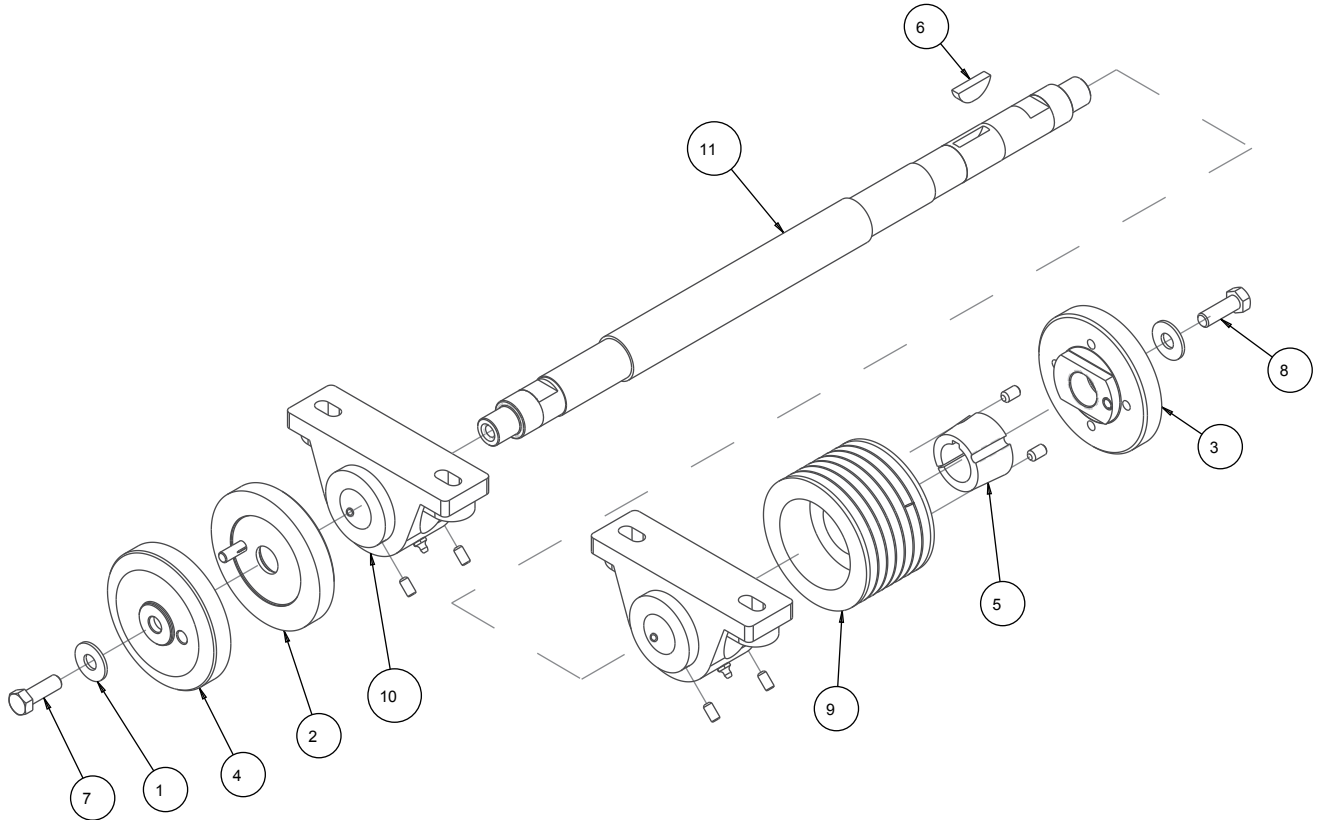
ITEM NO.	DESCRIPTION	PART #	QTY.
1	NUT, HEX, 5/16-18	101196	4
2	CLAMP, 5/8 HOSE	151198	1
3	WASHER, LOCK, SPLIT, 5/16	151747	4
4	WASHER, FLAT, SAE, 5/16	151754	8
5	SCREW, SET, SOC, CUPT, 3/8-16 X 1/2	153710	4
6	SCREW, HEX HD, TAP, 1/2-13X3	153854	1
7	SCREW, HEX, 5/16-18 X 2-1/4	153951	4
8	HOSE, 1/4 FUEL, 24"	154163	1
9	KEY, SQR, 3/8 X 4.0	154853	1
10	HOSE, OIL DRAIN, 3/8MNPT	157577-05	1
11	PULLEY, 7/3VX/2.8 X 1-7/16 BORE	165694	1
12	MOUNT, ENGINE	166348	1
13	ENGINE, B/S, VANGUARD, 35HP	166349	1

FIGURE 19 - PARTS LIST: ASSY, ENGINE, 3000K - P/N 162738



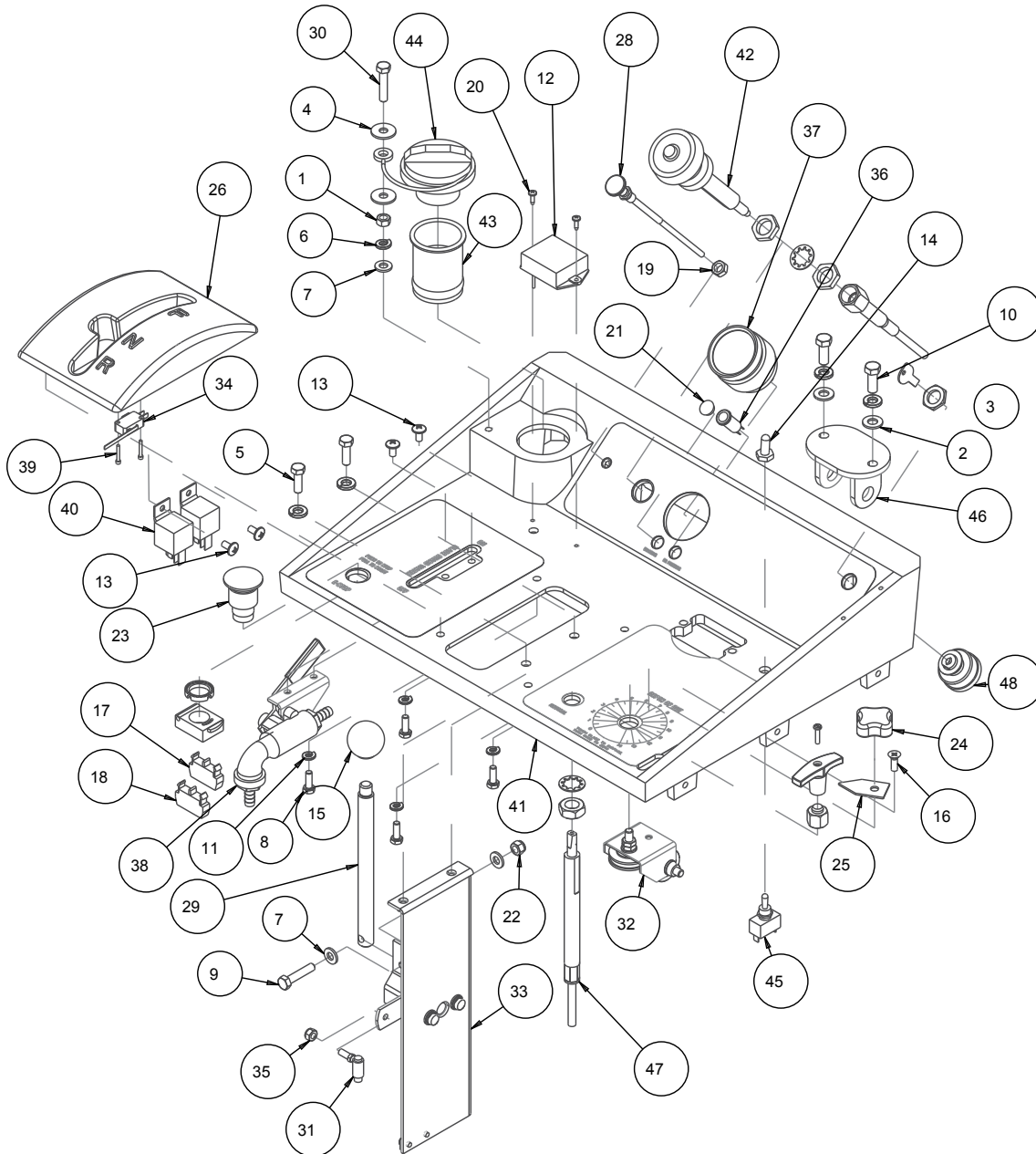
ITEM NO.	DESCRIPTION	PART #	QTY.
1	NUT, HEX, 5/16-18	101196	4
2	CLAMP, 5/8 HOSE	151198	1
3	WASHER, LOCK, SPLIT, 5/16	151747	4
4	WASHER, FLAT, SAE, 5/16	151754	8
5	SCREW, SET, SOC, CUPT, 3/8-16 X 1/2	153710	4
6	SCREW, HEX HD, TAP, 1/2-13X3	153854	1
7	SCREW, HEX, 5/16-18 X 2-1/4	153951	4
8	HOSE, 1/4 FUEL, 24"	154163	1
9	KEY, SQR, 3/8 x 4.0	154853	1
10	HOSE, OIL DRAIN, 1/2MNPT	157577-06	1
11	ENGINE, KOHLER CH980	162745	1
12	PULLEY, 7/3VX/2.8 X 1-7/16 BORE	165694	1
13	MOUNT, ENGINE	166348	1
14	MUFFLER, KOHLER CH980	166636	1

FIGURE 20 - PARTS LIST: ASSY, BLADESHAFT, 1-7/16 P/N 166335



ITEM NO.	DESCRIPTION	PART #	QTY.
1	WASHER, FLAT, USS, 1/2	157679	2
2	ASSY, FANGE, 5" INNER, LH	160783	1
3	ASSY, FLANGE, 5" INNER, RH	160784	1
4	FLANGE, 5" OUTER	1607799	1
5	BUSHING, TPR-LOCK, 1615 X 1-3/8	160811	1
6	KEY, WOODRUFF, 5/16 X 1-1/2	160816	1
7	SCREW, 1/2-13 X 1-1/2 HEX HEAD, LEFT HAND	160818	1
8	SCREW, 1/2-13 X 1-1/2 HEX FLANGE HEAD, RIGHT HAND	160819	1
9	PULLEY, 7/3VX/4.75 C 1615TB	165696	1
10	BEARING, 1-7/16 ID PILLOW BLOCK	166336	2
11	SHAFT, 1-7/16 BLADE	166337	1

FIGURE 21 - PARTS LIST: ASSY, CONTROL PANEL, 3000V - P/N 162739

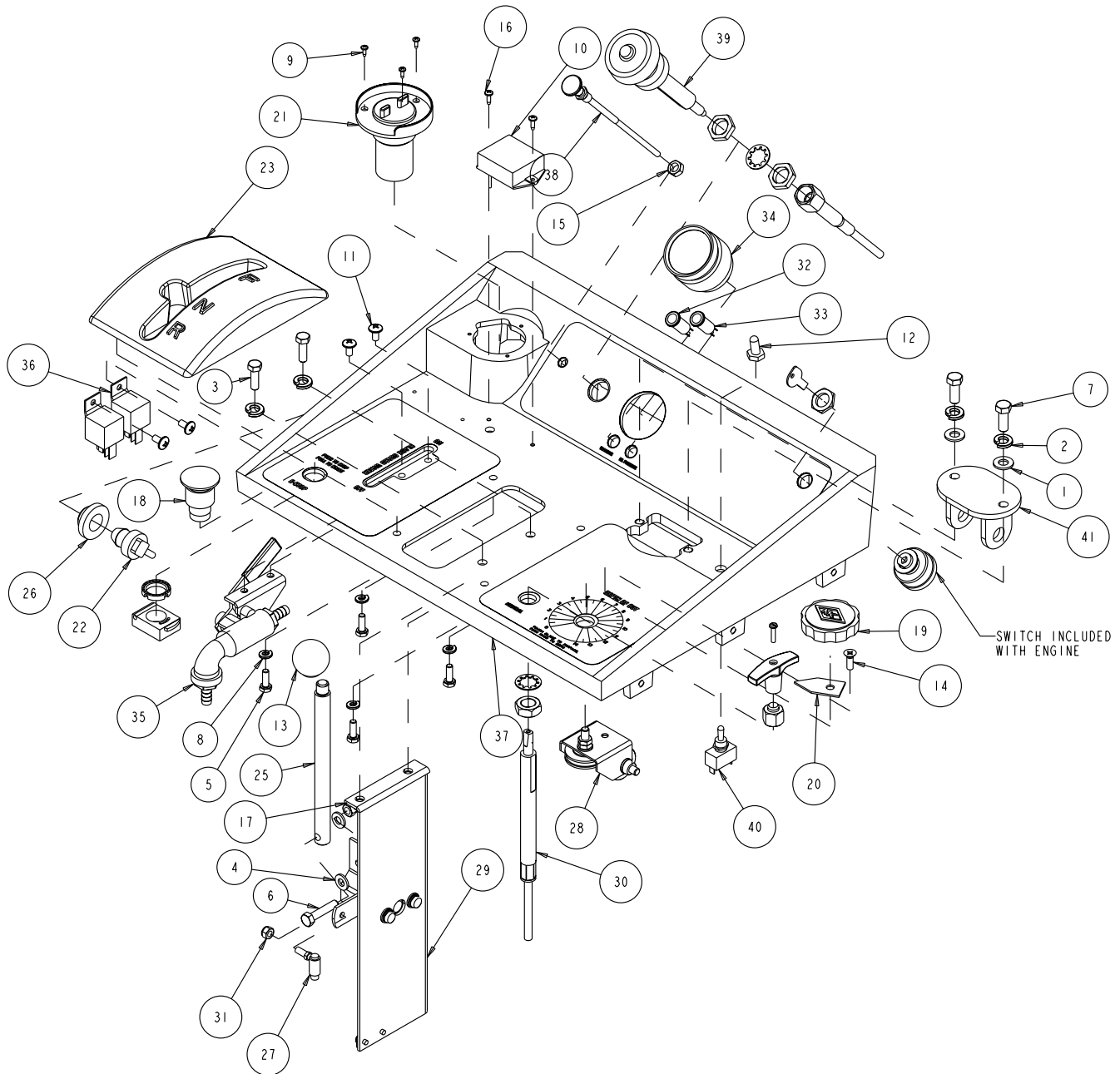


ITEM NO.	DESCRIPTION	PART #	QTY.
1	NUT, HEX, 5/16-18	101196	1
2	WASHER, 3/8 SAE FLAT	150923	2
3	WASHER, 3/8 SPLIT LOCK	150925	4
4	WASHER, FENDER, 5/16 X 1.0	151053	2
5	SCREW, HEX HD 5/16-18 X 1	151743	2
6	WASHER, LOCK, SPLIT, 5/16	151747	1
7	WASHER, FLAT, SAE, 5/16	151754	3

FIGURE 21 - PARTS LIST: ASSY, CONTROL PANEL, 3000V - P/N 162739

ITEM NO.	DESCRIPTION	PART #	QTY.
8	SCREW, HEX HD 1/4-20 X 3/4	152370	4
9	SCREW, 5/16-18 X 1-1/2 HEX HEAD MACHINE	152467	1
10	SCREW, HEX HD CAP, 3/8 - 16 X 1	152507	2
11	WASHER, 1/4 SPLIT LOCK	152591	4
12	TACHOMETER/HOURMETER	153877	1
13	SCREW, 1/4-20 X 1/2 TRUSS HEAD	153880	4
14	COVER, SWITCH	154301	1
15	KNOB, 1/2-20 FEM BALL	154486	1
16	SCREW, 1/4-20 X 3/4 FLAT HEAD	154657	1
17	CONTACTS, NO	156202	1
18	CONTACTS, NC	156204	1
19	NUT, HEX, JAM, 3/8 -24	156623	1
20	SCREW, PAN HD SELF TAP 8-32 X 1/2	156632	2
21	PLUG, 1/2 FLUSH HEAD BUTTON	156779	1
22	NUT, 5/16 -18 NYLOK HEX	158289	1
23	ASSY, SWITCH BUTTON, GAS	162080	1
24	KNOB, DEPTH INDICATOR (COMP)	162629	1
25	POINTER, DEPTH INDICATOR	162630	1
26	CASTING, FNR LEVER (COMP)	162720	1
27	LABEL SHEET, CONTROL PANEL	162725	1
28	CABLE, CHOKE, 3000V (COMP)	162734	1
29	SHAFT, FNR CONTROL	162740	1
30	BOLT, 5/16-18 X 1-1/2 HEX HEAD TAP	162819	1
31	BALL JOINT, 30 SERIES	162859	1
32	ASSY, DEPTH INDICATOR	162881	1
33	ASSY, CONTROLHEAD, FNR	162882	1
34	SWITCH, 11A/120V SPDT SNAP	162887	1
35	NUT, HEX, NYLK, 1/4-28	163936	1
36	LIGHT, 1/2" DIA. PANEL, RED	163938	1
37	GAUGE, FUEL, ANALOG	164151	1
38	ASSY, WATER VALVE	164161	1
39	SCREW, #4-40 X 3/4 SOCKET HEAD CAP	164206	2
40	RELAY, 12V, 70A	164969	2
41	CASTING, CONTROL PANEL, COMP	166360	1
42	CABLE, THROTTLE, 3000V COMP	166703	1
43	NECK, 2" FUEL FILLER	167219	1
44	CAP, 2" FUEL FILLER	167220	1
45	SWITCH, TOGGLE, (ON) OFF (ON)	167224	1
46	MOUNT, UPPER, ACTUATOR	167992	1
47	CABLE, T2L CONTROL, 33", COMP	168373	1
48	SWITCH, KEYED ON-OFF-START	169721	1

FIGURE 22 - PARTS LIST: ASSY, CONTROL PANEL, 3000K - P/N 166700



ITEM NO.	DESCRIPTION	PART #	QTY.
1	NUT, HEX, 5/16-18	101196	1
2	WASHER, 3/8 SAE FLAT	150923	2
3	WASHER, 3/8 SPLIT LOCK	150925	4
4	WASHER, FENDER, 5/16 X 1.0	151053	2
5	SCREW, HEX HD 5/16-18 X 1	151743	2
6	WASHER, LOCK, SPLIT, 5/16	151747	1
7	WASHER, FLAT, SAE, 5/16	151754	3



FIGURE 22 - PARTS LIST: ASSY, CONTROL PANEL, 3000K - P/N 166700

ITEM NO.	DESCRIPTION	PART #	QTY.
8	SCREW, HEX HD 1/4-20 X 3/4	152370	4
9	SCREW, 5/16-18 X 1-1/2 HEX HEAD MACHINE	152467	1
10	SCREW, HEX HD CAP, 3/8 - 16 X 1	152507	2
11	WASHER, 1/4 SPLIT LOCK	152591	4
12	TACHOMETER/HOURMETER	153877	1
13	SCREW, 1/4-20 X 1/2 TRUSS HEAD	153880	4
14	COVER, SWITCH	154301	1
15	KNOB, 1/2-20 FEM BALL	154486	1
16	SCREW, 1/4-20 X 3/4 FLAT HEAD	154657	1
17	CONTACTS, NO	156202	1
18	CONTACTS, NC	156204	1
19	NUT, 3/8-16 HEX	156623	1
20	SCREW, PAN HD SELF TAP 8-32 X 1/2	156632	2
21	PLUG, 1/2 FLUSH HEAD BUTTON	156779	1
22	NUT, 5/16 -18 NYLOK HEX	158289	1
23	ASSY, SWITCH BUTTON, GAS	162080	1
24	KNOB, DEPTH INDICATOR (COMP)	162629	1
25	POINTER, DEPTH INDICATOR	162630	1
26	CASTING, FNR LEVER (COMP)	162720	1
27	LABEL SHEET, CONTROL PANEL	162725	1
28	SHAFT, FNR CONTROL	162740	1
29	BOT, 5/15-18 X 1-1/2 HEX HEAD TAP	162819	1
30	BALL JOINT, 30 SERIES	162859	1
31	ASSY, DEPTH INDICATOR	162881	1
32	ASSY, CONTROLHEAD, FNR	162882	1
33	SWITCH, 11A/120V SPDT SNAP	162887	1
34	NUT, HEX, NYLK, 1/4-28	163936	1
35	LIGHT, 1/2" DIA. PANEL, RED	163938	1
36	GAUGE, FUEL, ANALOG	164151	1
37	ASSY, WATER VALVE	164161	1
38	SCREW, 4-40 X 3/4 SOCKET HEAD CAP	164206	2
39	RELAY, 12V, 70A	164969	2
40	CASTING, CONTROL PANEL, COMP	166360	1
41	CABLE, CHOKE, 3000K (COMP)	166701	1
42	CABLE, THROTTLE, 3000K COMP	166702	1
43	NECK, 2" FUEL FILLER	167219	1
44	CAP, 2" FUEL FILLER	167220	1
45	SWITCH, TOGGLE, (ON) OFF (ON)	167224	1
46	MOUNT, UPPER, ACTUATOR	167992	1

FIGURE 23 - PARTS LIST: ASSY, FRAME SUB - P/N 166326

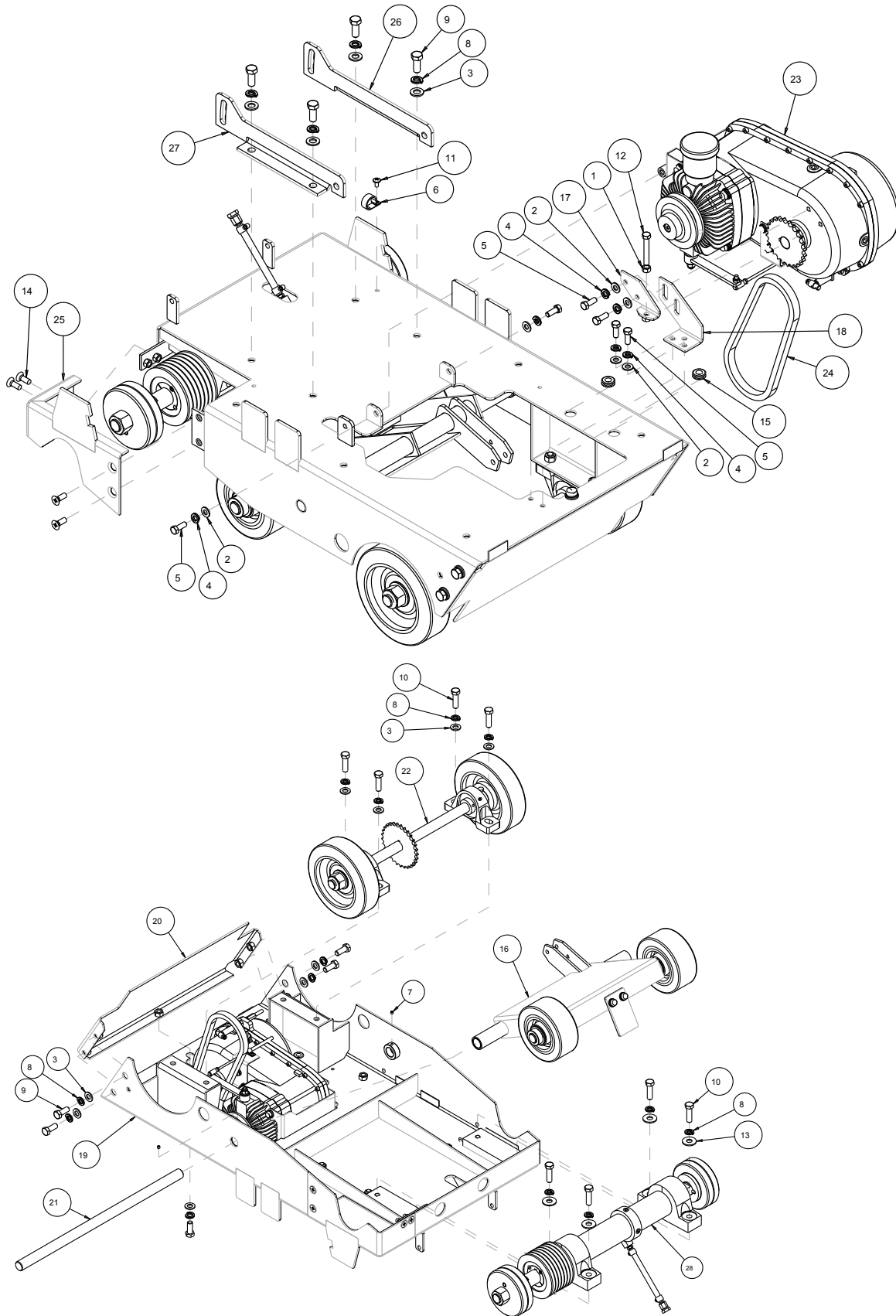
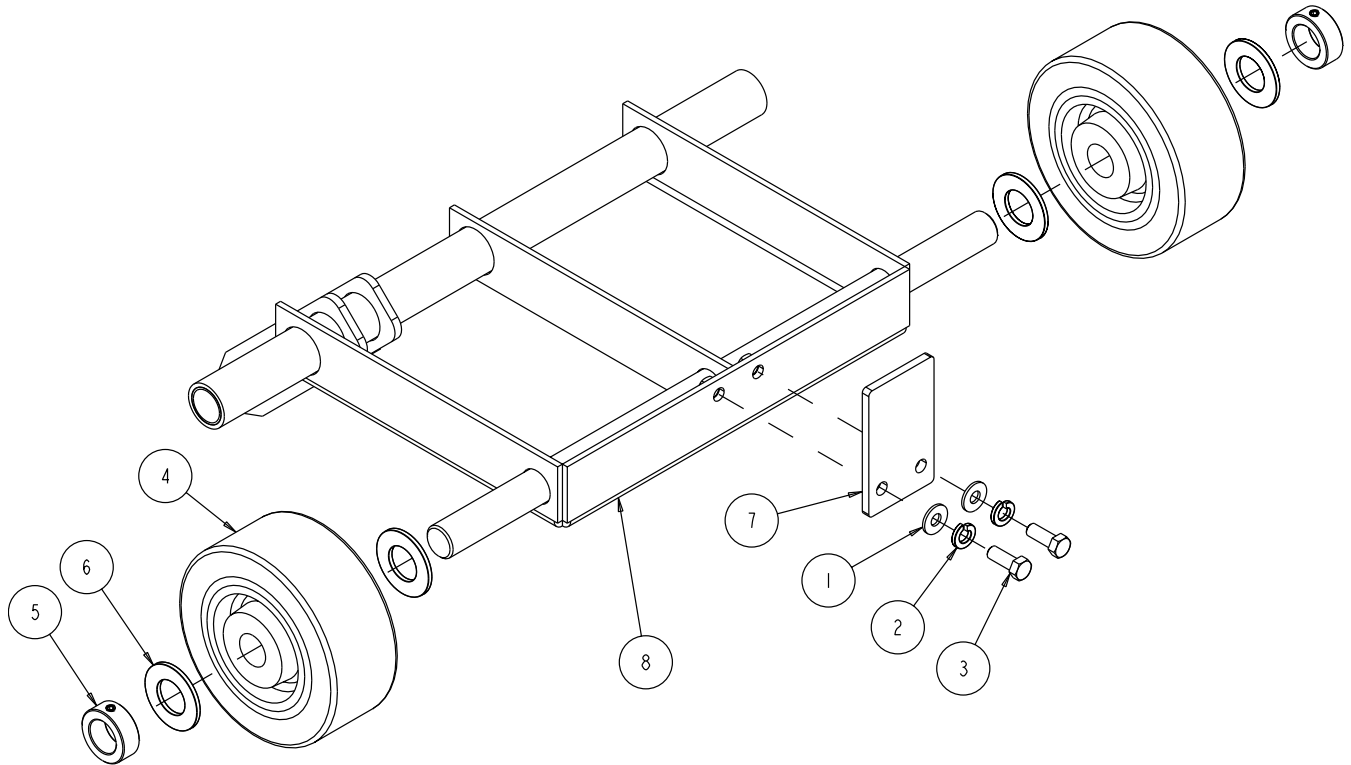


FIGURE 23 - PARTS LIST: ASSY, FRAME SUB - P/N 166326

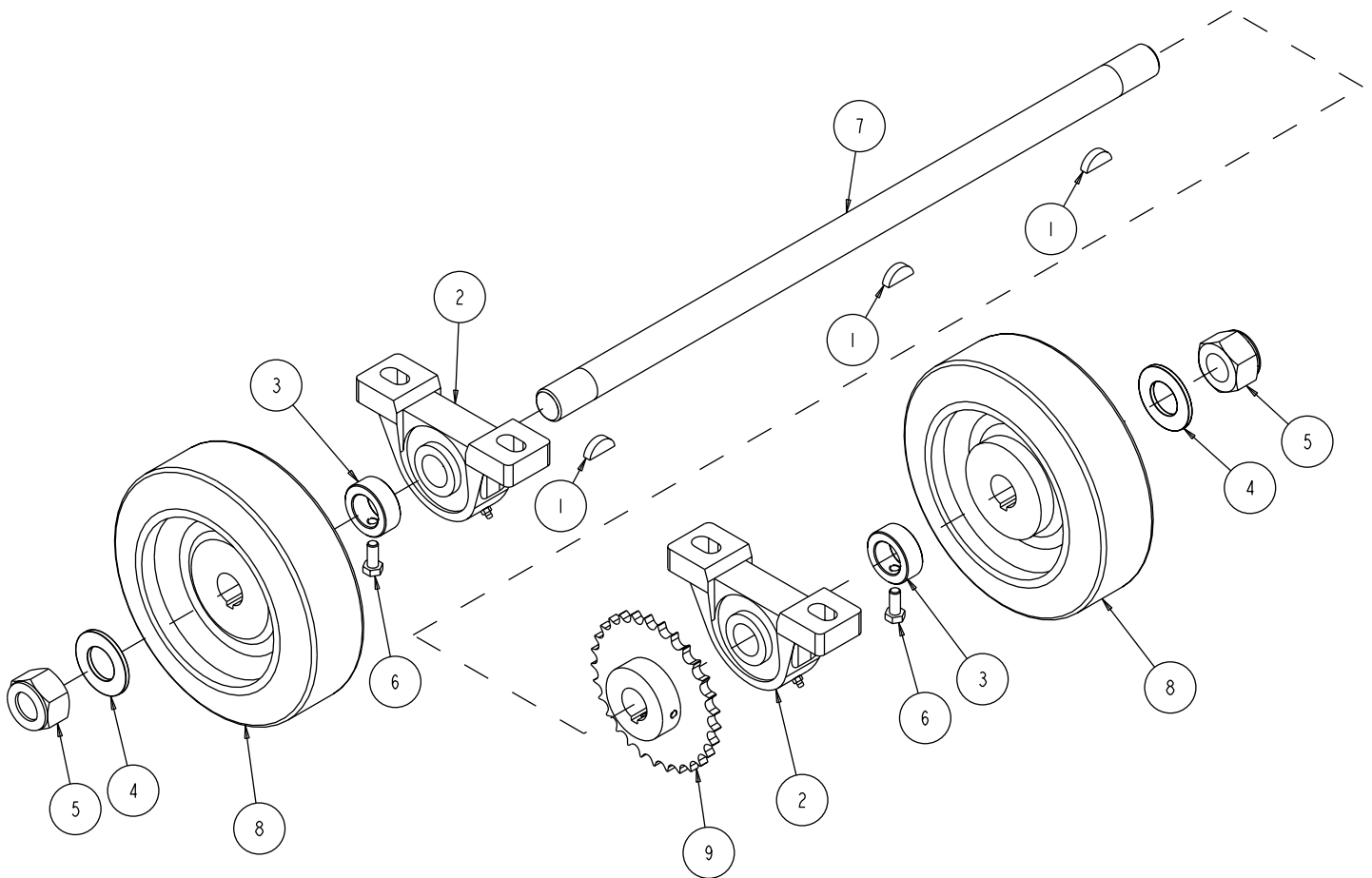
ITEM NO.	DESCRIPTION	PART #	QTY.
1	NUT, 3/8 - 16 HEX	101188	1
2	WASHER, 3/8 SAE FLAT	150923	6
3	WASHER, 1/2 SPLIT LOCK	150924	13
4	WASHER, LOCK, SPLIT, 3/8	150925	6
5	SCREW, HEX HD CAP, 3/8 - 16 X 1	152507	6
6	CLAMP, 7/8 CUSHION LOOP	152593	1
7	SCREW, 5/16 - 18 X 1/2 SOCKET HEAD STE	152607	2
8	WASHER, 1/2 SPLIT LOCK	153524	17
9	SCREW, 1/2 - 13 X 1 - 1/4 HEX HEAD CAP	153532	9
10	SCREW, 1/2 - 13 X 1 - 1 - 3/4 HEX HEAD CAP	153853	8
11	SCREW, 1/4 - 20 X 1/2 TRUSS HEAD	153880	1
12	BOLT, 3/8 - 16 X 2 - 1/2 HEX HEAD CAP	155589	1
13	WASHER, FLAT, USS, 1/2	157679	4
14	SCREW, 3/8 - 16 X 1 FLATHEAD MACHINE	162067	4
15	GROMMET, 1/2 X 1.0	162493	2
16	ASSY, TRUCK	162742	1
17	BRACKET, TRANS LIFT, ADJ	162743	1
18	BRACKET, TRANS MOUNT FIXED	162744	1
19	FRAME, WELDMENT MAIN	166327	1
20	PLATE, REAR FRAME	166329	1
21	SHAFT, TRUCK PIVOT	166330	1
22	ASSY, AXLE, REAR	166331	1
23	ASSY, TRANSMISSION	166338	1
24	CHAIN, #40 ROLLER, W/LINK	166345	1
25	CORNER, MAIN FRAME	166350	1
26	BRACKET, ENG MOUNT, RH	169474	1
27	BRACKET, ENG MOUNT, LH	169475	1
28	ASSY, BLADE SHAFT	170034	1

FIGURE 24 - PARTS LIST: ASSY, TRUCK - P/N 162742



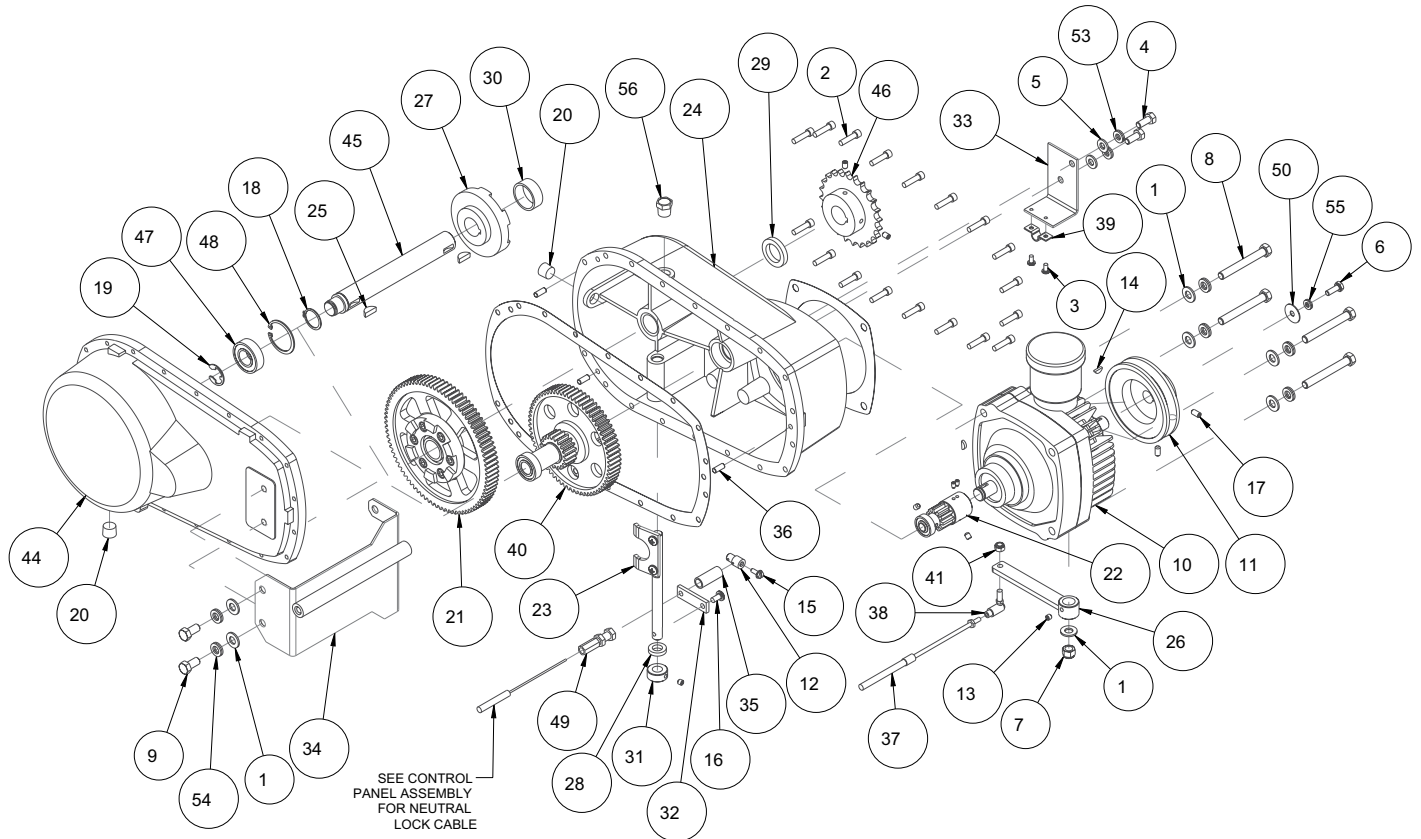
ITEM NO.	DESCRIPTION	PART #	QTY.
1	WASHER, 3/8 SAE FLAT	150923	2
2	WASHER, 3/8 SPLIT LOCK	150925	2
3	SCREW, HEX HD CAP, 3/8-16 X 1	152507	2
4	WHEEL, 6 X 2-1/2 X 1	160848	2
5	COLLAR, 1.0 SHAFT	160849	2
6	WASHER, 1 SAE FLAT	160851	4
7	STOP, TRUCK	162736	1
8	TRUCK	166328	1

FIGURE 25 - PARTS LIST: ASSY, AXLE, REAR - P/N 166331



ITEM NO.	DESCRIPTION	PART #	QTY.
1	KEY, 1/4 X 1 WOODRUFF	150795	3
2	BEARING, 1.0 ID PILLOW BLOCK	157924	2
3	COLLAR, 1" SHAFT	160849	2
4	WASHER, 1 SAE FLAT	160851	2
5	NUT, 1-8 NYLOK HEX	163235	2
6	SCREW, 5/16-24 X 3/4 HEX HEAD MACHINE	165617	2
7	SHAFT, REAR AXLE	166332	1
8	WHEEL, 8 X 2-1/2 X 1.0 BORE	166333	2
9	SPROCKET, 40BS29 X 1.0 BORE	166334	1

FIGURE 26 - PARTS LIST: ASSY, TRANSMISSION - P/N 166338

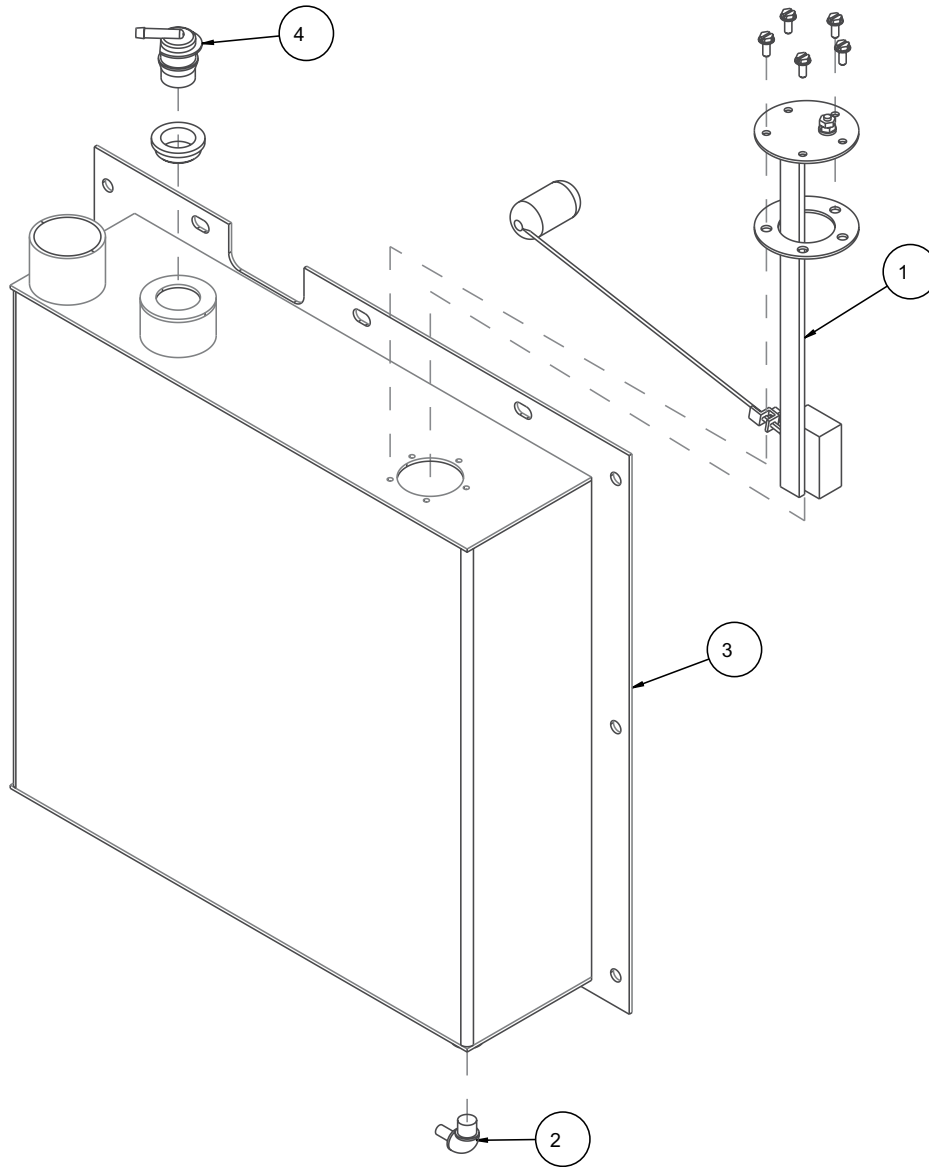


ITEM NO.	DESCRIPTION	PART #	QTY.
1	WASHER, 3/8 SAE FLAT	150923	7
2	SCREW, SOC HD CAP, 1/4-20 X 1	151049	18
3	SCREW, PAN HD, #10-24 X 3/8	151097	2
4	SCREW, HEX HD, CAP, 5/16-18 X 3/4	151369	2
5	WASHER, FLAT, SAE, 5/16	151754	2
6	SCREW, HEX HD, 1/4-20 X 3/4	152370	1
7	NUT, 3/8-16 NYLOK HEX	152505	1
8	SCREW, 3/8-16 X 3 HEX HEAD CAP	153113	4
9	SCREW, HEX, 3/8-16 X 3/4	153527	2
10	PUMP, TRANSMISSION	153783	1
11	PULLEY, A4.0 X 17 MM BORE OFFSET	153826	1
12	PIN, WIRE STOP	153842	1
13	SCREW, SET CUP PT 1/4-20 X 1/4	153864	1
14	KEY, WOODRUFF, 1/8 X 1/2	153865	2
15	SCREW, HEX HD FL 10-24 X 5/16	154172	1

FIGURE 26 - PARTS LIST: ASSY, TRANSMISSION - P/N 166338

ITEM NO.	DESCRIPTION	PART #	QTY.
16	SCREW, PAN HD, CAP, 1/4-20 X 1/2	155452	1
17	SCREW, 1/4-20 X 1/2 SOCKET HEAD SET	155804	2
18	RING, 1" EXTERNAL RETAINING	161140	1
19	RING, .75 E-STYLE RETAINING	161163	1
20	PLUG, 3/8 NPT HEX SOCKET, GALV	161208	2
21	ASSY, ENGAGEMENT GEAR	161233	1
22	ASSY, PUMP PINION	161235	1
23	ASSY, TRANS FORK 1	161237	1
24	ASSY, TRANS CASE 1	161248	1
25	KEY, WOODRUFF, 1/4 X 3/4	161261	2
26	LEVER, TRANS CONTROL	161263	1
27	PLATE, LOCKER, KEYED	161264	1
28	SEAL, OIL, 1/2 X 7/8 X 3/16	161270	1
29	SEAL, 1 X 1-1/2 X 1/4 OIL	161271	1
30	SPRING, 1.5OD X 1.3 COMPRESSION	161279	1
31	COLLAR, 1/2 SHAFT	162633	1
32	LEVER, TRANS FORK	162673	1
33	BRACKET, TRANS FNR	162735	1
34	BRACKET, TRANS PIVOT	162741	1
35	SPRING, .56 OD X 1.38 COMPRESSION	162829	1
36	PIN, 1/4 X 5/8 DOWEL	162849	3
37	CABLE, TRANS CONTROL	162858	1
36	BALL JOINT, 30 SERIES	162859	1
39	CLAMP, 30 SERIES CONDUIT	162860	1
40	ASSY, CHANGE GEAR	162883	1
41	NUT, HEX, NYLK, 1/4-28	163936	1
42	OIL, 80-90 SAE GEAR	164971	1
43	SEALANT, HI-TEMP FORM-A-GASKET	164972	1
44	CASTING, TRANS CASE3 (COMP)	166340	1
45	SHAFT, AXLE, #3	166341	1
46	SPROCKET, 40BS24 X 1.0 BORE	166342	1
47	BEARING, BALL, 20 X 42 X 12MM	166343	1
48	RING, 1-11/16 INTERNAL RETAINING	166344	1
49	FITTING, THROTTLE CABLE END	169042	1
50	WASHER, FENDER, 1/4 X 1	169049	1
51	GASKET SET, TRANSMISSION	169465	1
52	SEALANT, GASKET, PT#2 (0.5 OZ)	169466	1
53	WASHER, CHROMATE, 5/16, PAIR	169690	2
54	WASHER, CHROMATE, 3/8, PAIR	169692	6
55	WASHER, CHROMATE, 1/4, PAIR	169693	1
56	PLUG, 3/8 NPT BRONZE BREATHER	170959	1

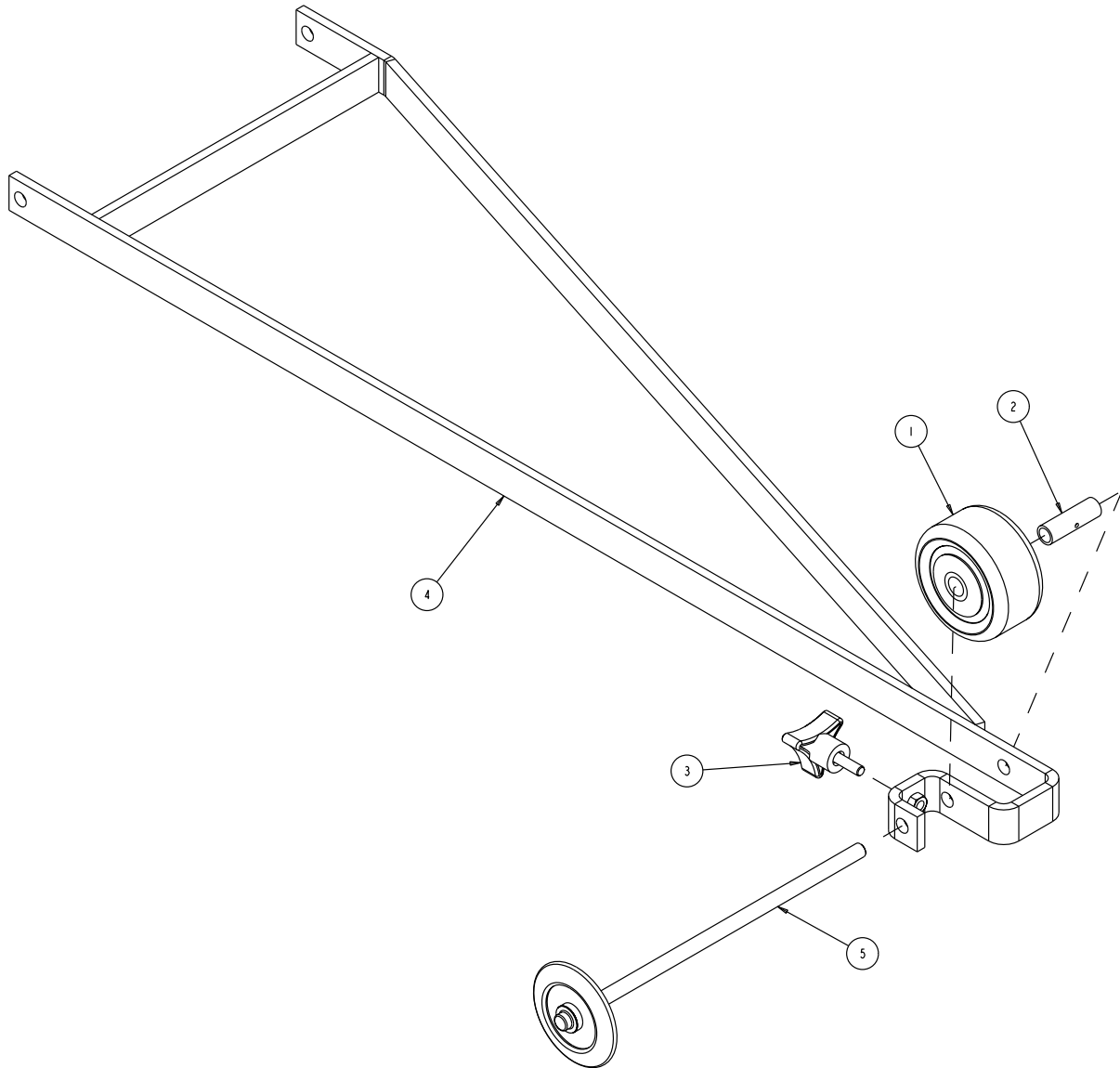
FIGURE 27 - PARTS LIST: ASSY, FUEL TANK, GASOLINE - P/N 166357



ITEM NO.	DESCRIPTION	PART #	QTY.
1	SENDER, FUEL	162636	1
2	ELBOW, 1/4 MNPT X 1/4 BARB, 90 DEG	162637	1
3	TANK, FUEL	166358	1
4	VALVE, ROLL OVER VENT	169772	1

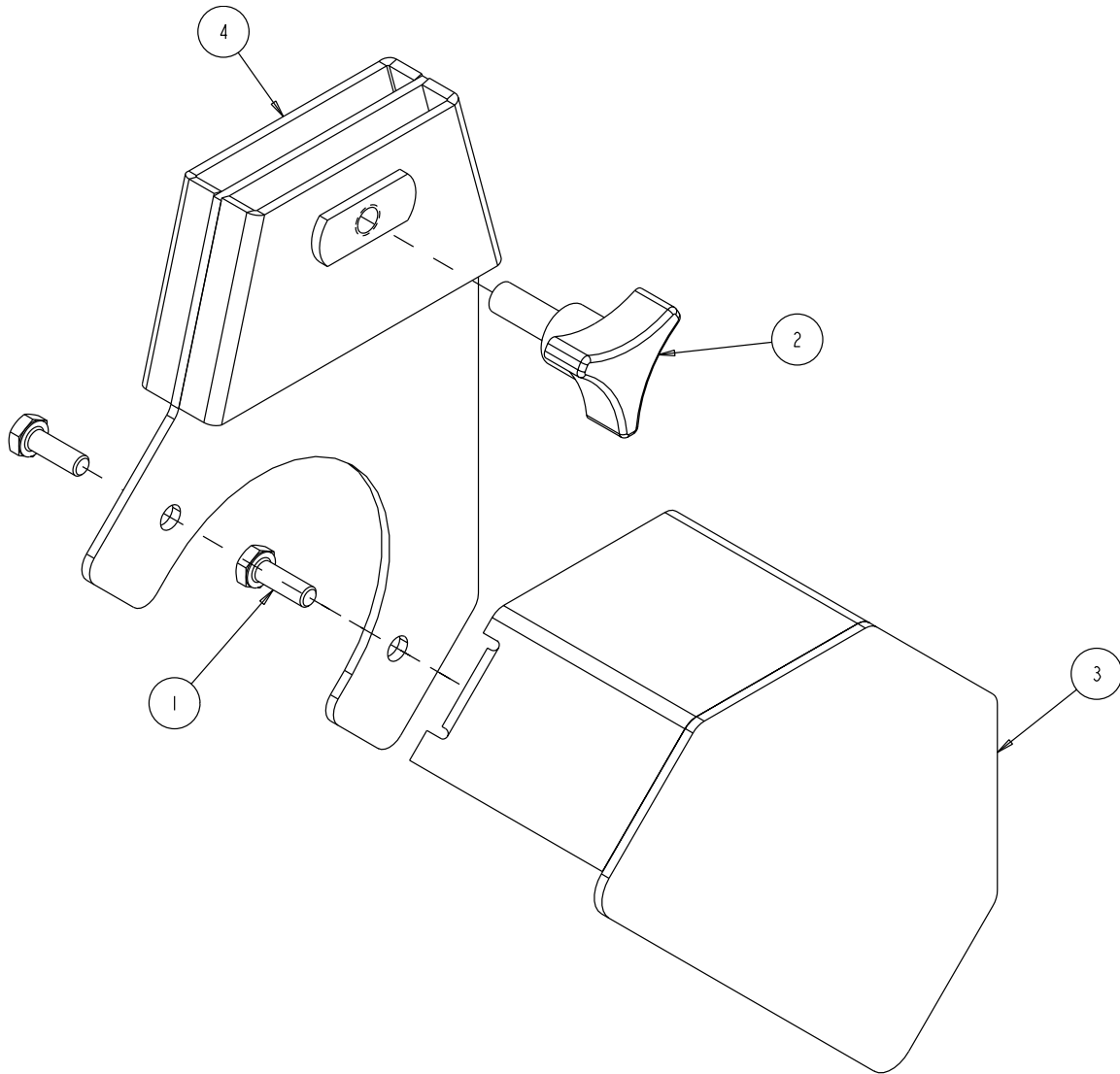


FIGURE 28 - PARTS LIST: ASSY, POINTER - P/N 162732



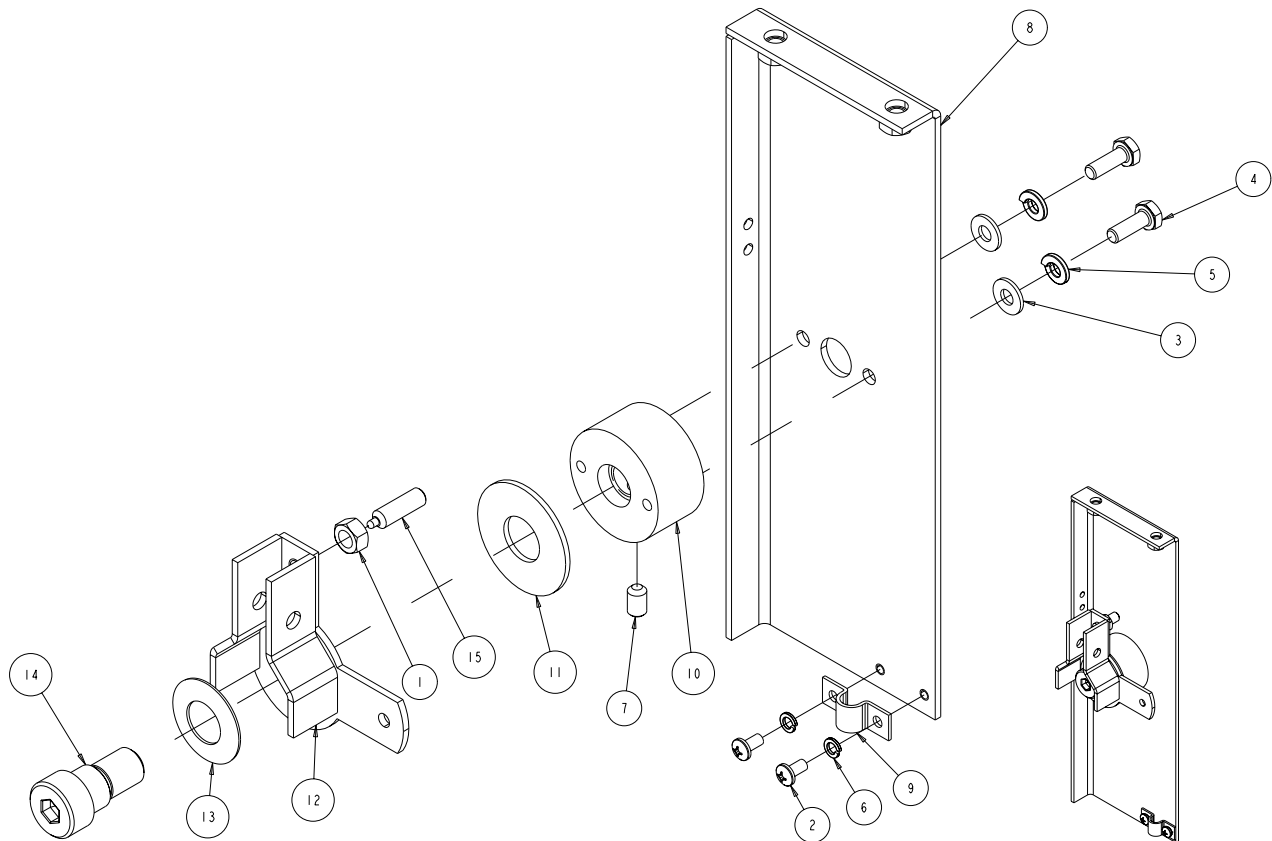
ITEM NO.	DESCRIPTION	PART #	QTY.
1	WHEEL, POINTER, 3"	155066	1
2	BUSHING, 3/8 ID X 1-5/8L	155153	1
3	KNOB, 1/4-20 3/4 PRONG, NO LOGO	160482	1
4	ARM, POINTER	162733	1
5	ASSY, POINTER WHEEL	165238	1

FIGURE 29 - PARTS LIST: ASSY, SHAFT GUARD - P/N 166056



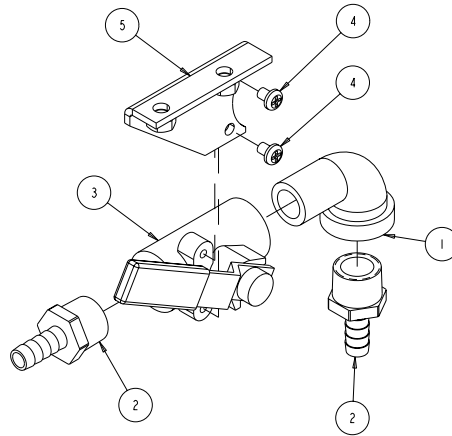
ITEM NO.	DESCRIPTION	PART #	QTY.
1	SCREW, HEX HD 1/4-20 X 3/8	153526	2
2	KNOB, 3 PRONG 3/8-16 X 1	156175	1
3	GUARD, SHAFT	161109	1
4	BACK PLATE, SHAFT GUARD	166057	1

FIGURE 30 - PARTS LIST: ASSY, CONTROLHEAD, FNR - P/N 162882



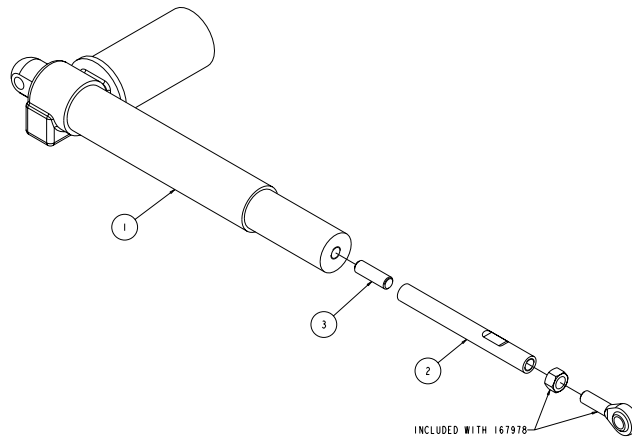
ITEM NO.	DESCRIPTION	PART #	QTY.
1	NUT, HEX, 5/16 - 18	101196	1
2	SCREW, 10-24 X 38 PAN HEAD PHILLIPS MACHINE	151097	2
3	WASHER, 1/4 SAE FLAT	151915	2
4	SCREW, HEX HD, 1/4 - 20 X 3/4	152370	2
5	WASHER, 1/4 SPLIT LOCK	152591	2
6	WASHER, #10 SPLIT LOCK	153684	2
7	SCREW, 5/16 - 18 X 3/8 SOCKET HEAD SET	157084	1
8	BRACKET, FNR CONTROL	162634	1
9	CLAMP, 30 SERIES CONDUIT	162860	1
10	JOURNAL, FNR CONTROL	162889	1
11	WASHER, 2.0 X .812 X .088 NYLON	162890	1
12	RACKET, FNR PIVOT	162891	1
13	SPRING, 1.50 X .755 X .045, DISK	162892	1
14	SCREW, 3/4 X 1/2 SOCKET HEAD SHOULDER	162893	1
15	PLUNGER, 5/16 - 18 X 1.0 SPRING	162896	1

**FIGURE 31 - PARTS LIST: ASSY, WATER VALVE - P/N 164161**



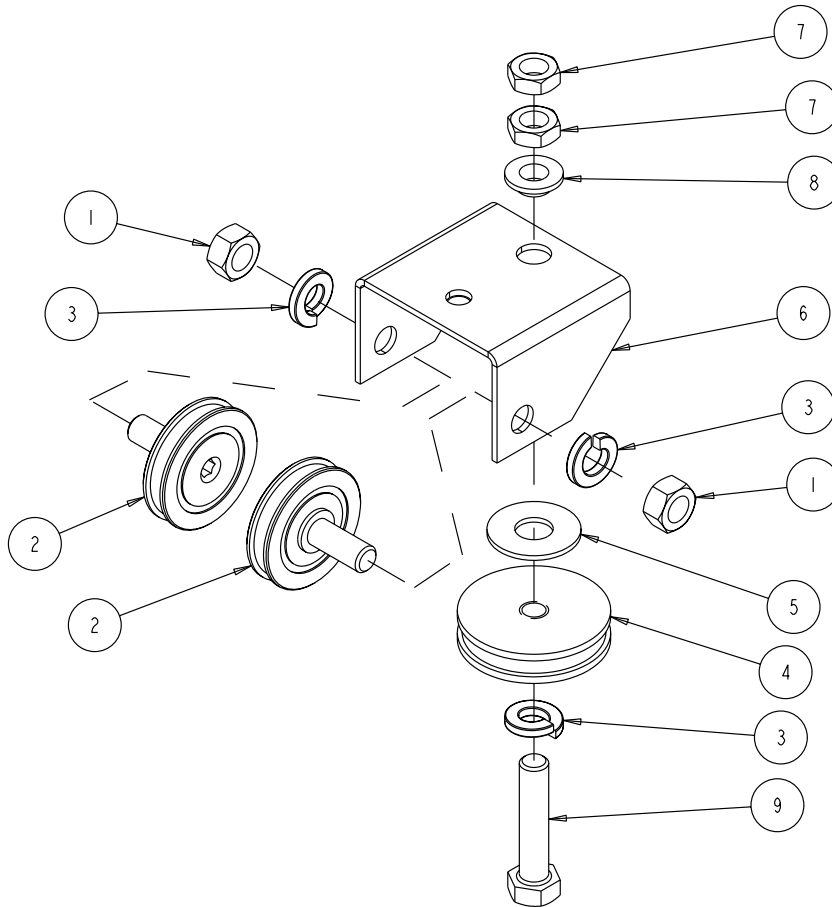
ITEM NO.	DESCRIPTION	PART #	QTY.
1	ELBOW, 1/2 MNPT 90 STREET, GALV	150844	1
2	FITTING, 1/2 MNPT X 3/8 BARB	153653	2
3	VALVE, BALL 1/2"	153796	1
4	SCREW, PAN HD PHIL 10 - 24 X 5/16	159494	2
5	BRACKET, WATER VALVE	162650	1

**FIGURE 32 - PARTS LIST: ASSY, ACTUATOR - P/N 167994**



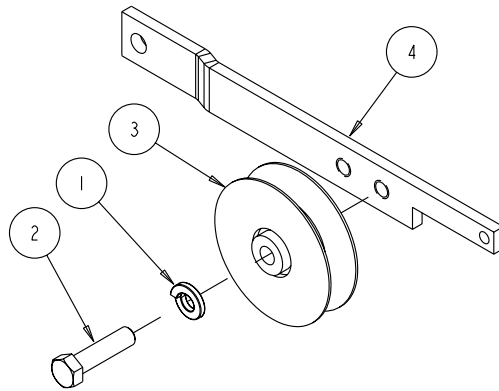
ITEM NO.	DESCRIPTION	PART #	QTY.
1	ACTUATOR, ELEC, 12V	167978	1
2	LINK, COUPLER	167995	1
3	STUD, 5/8 - 18 X 2	167996	1

FIGURE 33 - PARTS LIST: ASSY, DEPTH INDICATOR - P/N 162881



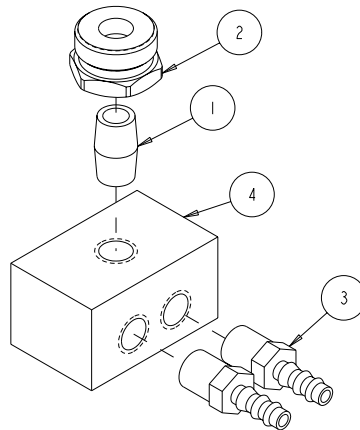
ITEM NO.	DESCRIPTION	PART #	QTY.
1	NUT, HEX, 5/16 - 18	101196	2
2	WHEEL, CONVEYOR CART	133090	2
3	WASHER, LOCK, SPLIT, 5/16	151747	3
4	PULLEY, Ø 1.38 DEPTH INDICATOR	162624	1
5	WASHER, 1 X 13/32 X 06 PLASTIC	162625	1
6	BRACKET, DEPTH INDICATOR	162626	1
7	NUT, 5/16 FLANGED PLASTIC	162818	1
8	WASHER, 5/16 FLANGED PLASTIC	162818	1
9	BOLT, 5/16 -18 X 1-1/2 HEX HEAD TAP	162819	1

**FIGURE 34 - PARTS LIST: ASSY, TRANS. IDLER - P/N 164163**



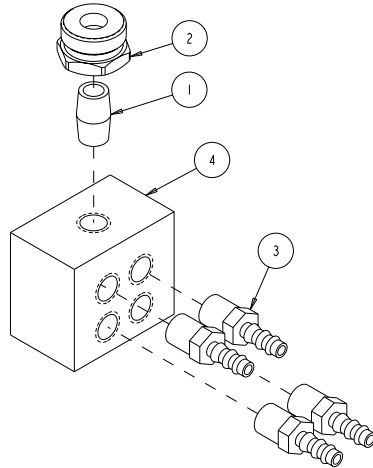
ITEM NO.	DESCRIPTION	PART #	QTY.
1	WASHER, 3/8 SPLIT LOCK	150925	1
2	SCREW, 3/8 - 16 X 1 - 1/2 HEX HEAD	153528	1
3	PULLEY, IDLER, BV3001	153797	1
4	BRACKET, IDLER PULLEY	154244	1

**FIGURE 35 - PARTS LIST: ASSY, WATER MANIFOLD, 2T - P/N 167624**



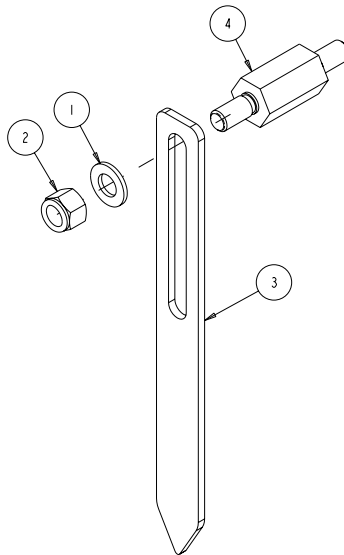
ITEM NO.	DESCRIPTION	PART #	QTY.
1	NIPPLE, 1/4 NPT X CLOSE, BRASS	159905	1
2	FITTING, 3/4 X 11.5 MNH X 1/4 FNPT	163992	1
3	FITTING, PUSH ON HOSE 1/4 X 1/4 MALE	165183	2
4	MANIFOLD, WATER, 2 TUBE	167622	1

**FIGURE 36 - PARTS LIST: ASSY, WATER MANIFOLD, 4T - P/N 167625**



ITEM NO.	DESCRIPTION	PART #	QTY.
1	NIPPLE, 1/4 NPT X CLOSE, BRASS	159905	1
2	FITTING, 3/4 X 11.5 MNH X 1/4 FNPT	163992	1
3	FITTING, PUSH ON HOSE 1/4 X 1/4 MALE	165183	4
4	MANIFOLD, WATER 4 TUBE	167623	1

**FIGURE 37 - PARTS LIST: ASSY, REAR POINTER - P/N 163824**



ITEM NO.	DESCRIPTION	PART #	QTY.
1	WASHER, 1/2 SAE FLAT	150923	2
2	NUT, 1/2 - 13 NYLOK HEX	155162	1
3	ARM, REAR POINTER	160951	1
4	STANDOFF, REAR PINTER	163825	1

**MODEL MK-3000 SERIES**  
**PARTS LIST & EXPLODED VIEWS**



**MK Diamond Products, Inc.**

MK Diamond Products, Inc.  
1315 Storm Parkway  
Torrance, CA 90501

Toll-Free: (800) 421-5830  
Phone: (310) 539-5221  
Fax: (310) 539-5158  
[www.mkdiamond.com](http://www.mkdiamond.com)