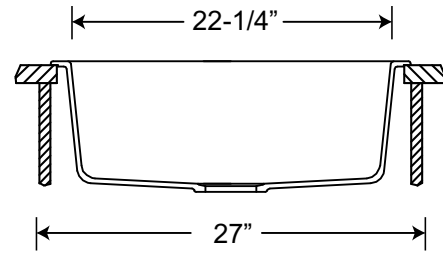
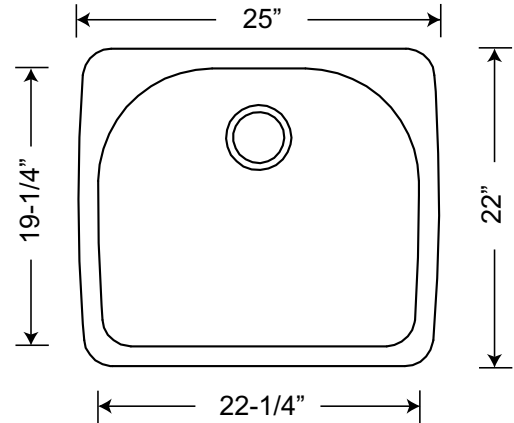

<b>SIS-GR101-01</b> <b>1647-6083</b> Black Sand	<b>SIS-GR101-02</b> <b>1648-6084</b> Wheat	<b>SIS-GR101-03</b> <b>1649-6085</b> Iceberg	<b>SIS-GR101-04</b> <b>1640-6187</b> Grey Moon	<b>SIS-GR101-05</b> <b>1641-6188</b> Chocolate	<b>SIS-GR101-06</b> <b>1698-9319</b> Silver Fox	<b>SIS-GR101-07</b> <b>1699-9310</b> Storm Cloud	<b>SIS-GR101-08</b> <b>1690-9412</b> Eclipse

## Single Bowl Granite Sink

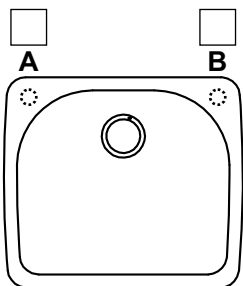


Depth = 8-1/2"

### SIS-GR101 - DURAGRANIT SERIES

- 80% quartz and 20% acrylic resins
- Undermount or drop-in installation
- Scratch and stain resistant
- Heat and acid resistant
- Non-fading
- Easy to clean, extremely hygienic
- Suitable for food preparation
- Fits 30" cabinet
- 3 1/2" drain opening

### KNOCKOUT HOLE LOCATION




### AVAILABLE ACCESSORIES




SIS-G-GR101  
Stainless Steel Grid

QTY



SIS-S01-  
Basket Strainer

QTY



SIS-S06-  
Disposal Flange

QTY



SIS-GCB1709  
Glass Cutting Board

QTY

### CODE / STANDARDS COMPLIANCE



Sinks are listed by IAPMO® as meeting the applicable requirements of the Uniform Plumbing Code®, International Plumbing Code®, and National Plumbing Code of Canada. Product Compliance: CSA B45.5-11/IAPMO Z124-201 including Update No. 1 dated May 2012

### JOB INFORMATION

JOB NAME: \_\_\_\_\_ MODEL SPECIFIED: \_\_\_\_\_ QUANTITY: \_\_\_\_\_

DATE: \_\_\_\_\_ ARCHITECT/ENGINEER: \_\_\_\_\_

CUSTOMER: \_\_\_\_\_ CONTRACTOR: \_\_\_\_\_