

# HF HYDRO-FORCE™ SWIVEL WAND

**Hugs the curves  
like no other!**

Leading edge technology and ergonomic design means this model dives into corners and sweeps around tight curves like never before.

A few turns of the knurled stabilization knob and you go from straightaways to cruising under or around furniture in no time flat!



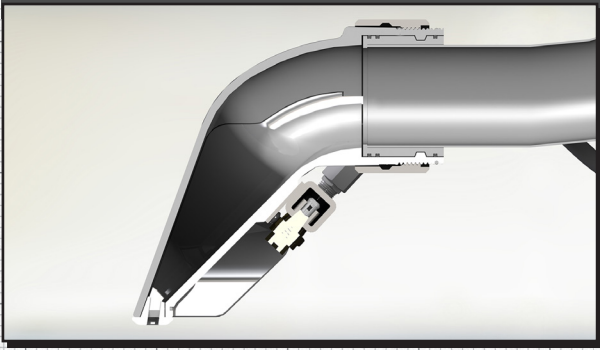
## THE SWEET SOUND OF AERODYNAMIC PERFORMANCE

You know that whistling sound you hear if you're cruising down the road and the window is slightly open?

That is the sound of air flow being obstructed. You won't hear that whiny noise with the Hydro-Force Swivel Wand .

The plenum is designed not to obstruct air flow. ***It will handle all the CFM you can give it!***





### Optimized vacuum recovery

Vacuum chamber is one continuous curve transition from inlet to outlet, minimizing losses from direction change in flow path.

### Integrated Glide design

Designed for optimal performance the POM glides are firmly secured in the head and minimize leaks by screwing into the wand, without restricting air flow.

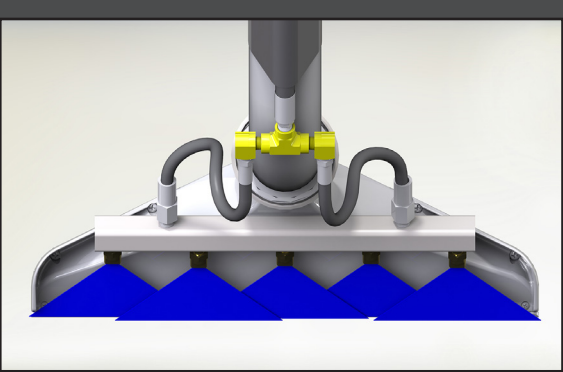
### Shear angle impact of the manifold jets

A 47° shear impact angle maximizes the cleaning force against the soiled surface of the carpet.



### Offset jets minimize streaking

To avoid jet fan interference that causes streaking on the carpet, the center line of the jet fans have been off set.



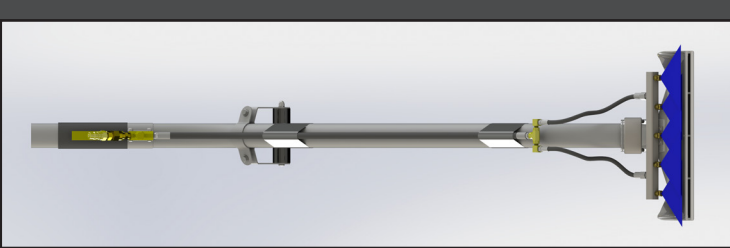
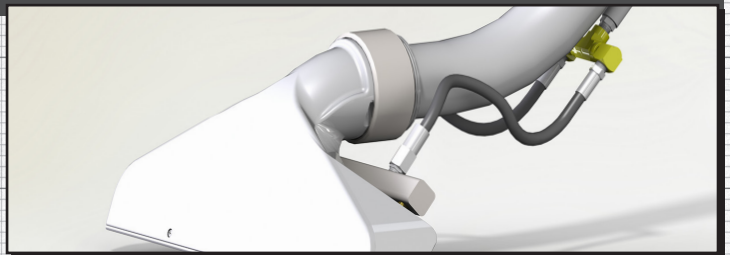
### Even solution dispensing along the jet manifold

Dual manifold solution inlets, equal jet spacing along the manifold length and jet fan width design create an even solution spray across the width of the wand head. This minimizes streaking and evens out the solution flow so there is consistent cleaning across the width of the wand head.

Choose the manifold that best suits your needs. Standard 5 jet or custom 4 or 6 jet manifolds available. Off-set spray pattern assures no streaking due to interference from overlapping jets.

### Quick locking, no tools required, swivel head

The triple o-ring sealed swivel head can quickly switch between swivel and fully locked head by turning the locking collar.



### High flow solution line

The 1/4" hose coming from the soft touch valve splits into two 3/16" manifold inlet hoses. In high flow situations there are no "choke points" to restrict solution flow to into the manifold.

Standard check valves on the manifold jets prevent annoying drips and leaks.