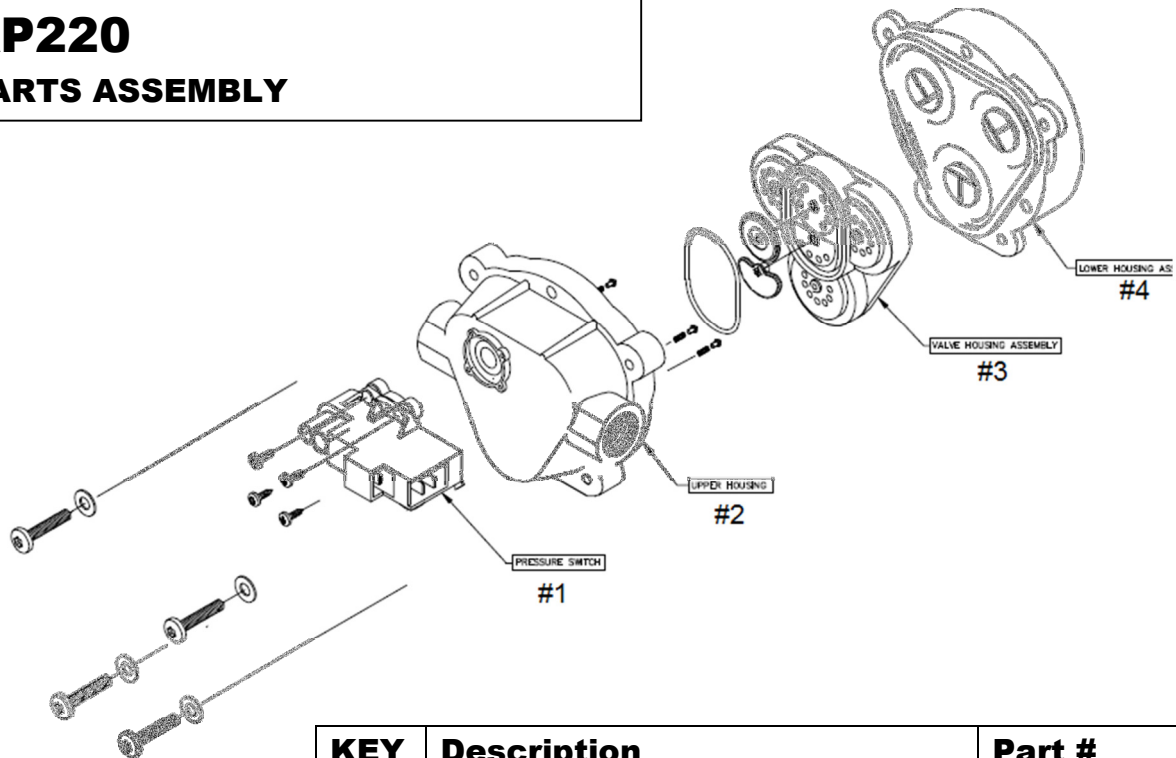
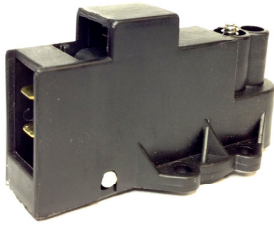


Parts

Hydro Force Pump AP220 PARTS ASSEMBLY



KEY	Description	Part #
1	Pressure Switch	PAQ02
2	Upper Housing Assembly	PAQ06
3	Valve Housing Assembly	PAQ07
4	Lower Housing Assembly	PAQ08
NS	Pump & Motor Complete	AP220



PAQ02



PAQ06



PAQ08



PAQ07

PERFORMANCE DATA			
NOZZLE SIZE	DISCHARGE PRESSURE (PSI)	FLOW (GPM)	CURRENT (AMPS)
NUMBER 2	175	0.55	1.55
NUMBER 4	130	0.84	1.37
NUMBER 6	90	0.98	1.16