

# SX-15

## HARD SURFACE CLEANING TOOL

AW105



Hydro-Force Manufacturing  
4282 South 590 West  
Salt Lake City, UT 84123  
801-268-2673  
801-268-3856 FAX

# INTRODUCTION

Congratulations on your purchase of the SX-15 hard surface cleaning tool.

Years of experience, engineering, and planning have gone into the design and manufacturing of the SX-15. We take a great deal of pride in the SX-15; our goal is no less than your complete satisfaction.

The SX-15 can be used with portable or truck mounted extractors to clean tile, concrete and stone floors. The larger cleaning area and superior water recovery of the SX-15 will make your tile cleaning faster and more efficient.

This manual will provide users with the knowledge to operate and maintain the SX-15.

Any questions pertaining to the operating or servicing of this unit should be directed to your nearest Hydro-Force distributor.

This manual is written specifically for the SX-15 tile cleaning tool manufactured by:

**AramSCO**

4282 South 590 West

Salt Lake City, UT 84123

801-268-2673

801-268-3856 FAX

Information in this manual is subject to change without notice and does not represent a commitment on the part of Hydro-Force, its parent or affiliated companies.

# SPECIFICATIONS

## Model AW105 SX-15 Tile Cleaning Tool:

Cleaning Head: Width: 15 inches

Cleaning Head: Height: 3.50" w/ Brush Ring

Total Height with Handle: 51 inches

Weight: 15.5 lbs.

Shell Construction: Polycarbonate

Hard Boot: HDPE

Brush Bristles: Nylon

Handle Construction: Stainless Steel

Maximum Solution Pressure: 2500 psi

Minimum Solution Pressure: 700 psi

## SX-15 MAINTENANCE

Your SX-15 requires very little maintenance. To keep your SX-15 looking and working its best for the longest period of use:

After each use rinse the Inner Shell of the SX-15 to remove accumulated dirt & debris. The Inner Shell can be separated from the Outer Shell to clean the air flow channel between the two shells. (See instructions for procedure to separate Outer and Inner Shells on Pages 5-7.)

Rinse & wipe down top of head assembly & handle.

Rinse clean the Brush Ring.

Examine the Brush Ring. Replace Brush ring if bristles are excessively bent, worn or if too many bristles are missing.

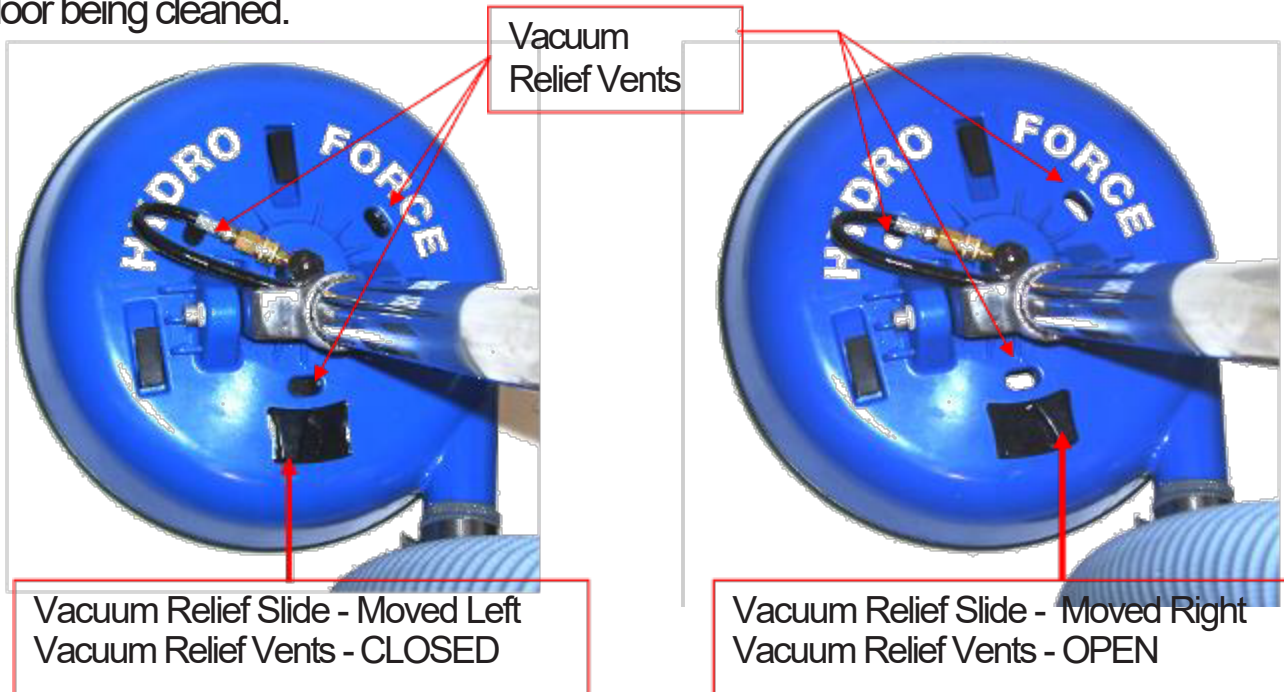
Check and clean the stainless steel mesh filter between the quick connect and valve to prevent a reduction in water flow and tool efficiency. See item NA0803 in the parts diagram on Page 16.

Check the spray pattern of the jets and clean or replace the jets as needed to assure an even spray pattern. It is suggested to replace jets every 6 -12 months depending on use.

Check vacuum hose for holes or cracks. Replace Vacuum hose as needed.

# Vacuum Relief Vent Adjustment

The SX-15 has vacuum relief vents on top of the head assembly. To increase the water recovery, move the vacuum relief slide to the left to close the three vents. To prevent the SX-15 from sticking to the floor and to make the SX-15 easier to move, push the vacuum relief slide to the right to open the vents. Try different slide position settings to get the best movement and recovery for your equipment and the type of floor being cleaned.

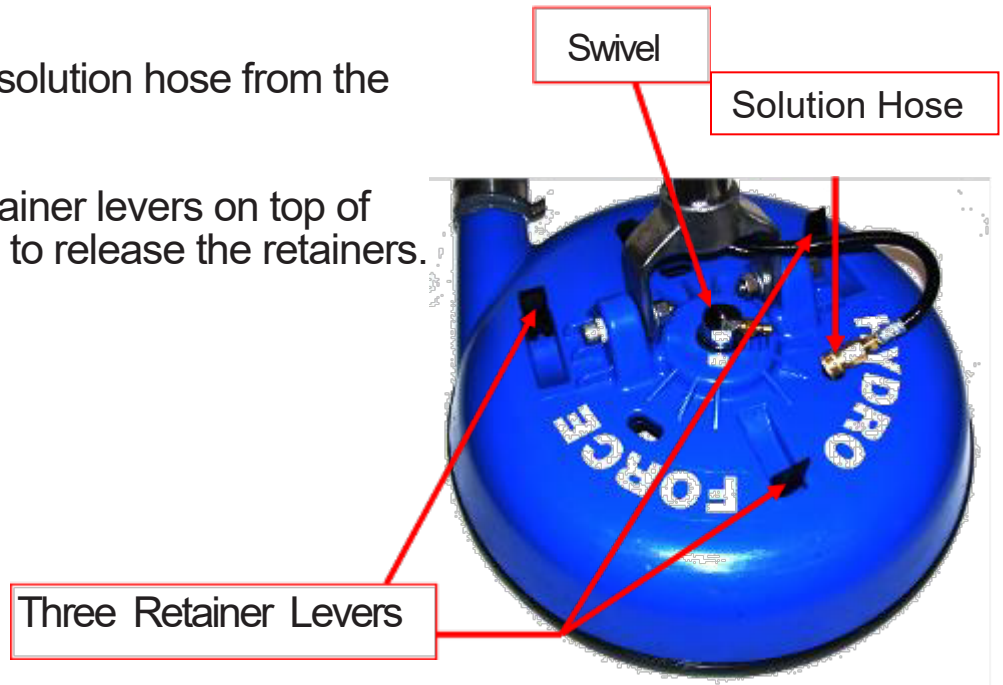


Using the SX-15 with extractors with higher air flow will generally require the vacuum relief vents to be opened more.

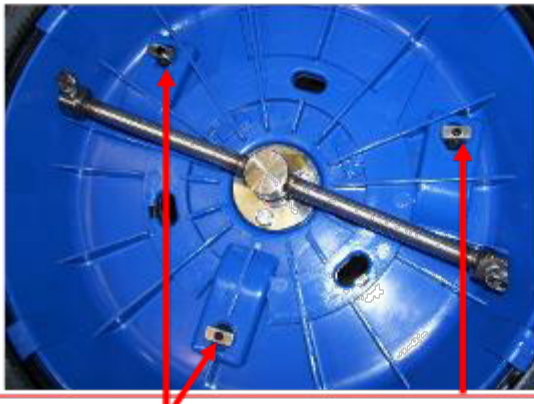
Using the SX-15 with smaller portable extractors may require the vacuum relief vents to be closed for the best water recovery.

# Separating Inner & Outer Shells for Cleaning

1. Disconnect the solution hose from the swivel.
2. Lift the three retainer levers on top of the SX-15 head to release the retainers.



3. Turn the deck over and turn the three rectangular retaining nuts on the retainers to align with the holes in the bottom of the Inner Shell, so they can pass through the holes.



Three Rectangular Retaining Nuts



Retaining Nut Aligned for Inner Shell Removal

4. Pull and separate the Inner Shell from the Outer Shell.



Rinse and wipe away any accumulated debris that may restrict airflow.

5.

Seat the Brush Ring back onto the bottom lip of the Outer Shell if it has moved.



Place the Inner Shell back onto the Outer

6. Shell

with the rectangular retaining nuts going through the openings in the Inner Shell. The flanges on the Inner Shell set on the edge of the Brush Ring to hold it in place.

7. Turn the rectangular retaining nuts perpendicular to the slots in the bottom of the Inner Shell. Retaining nuts may need to be tightened so that they each contact the plastic surface of the inner shell when the retaining levers are pushed back down to assure that the SX-15 assembly is secured properly.



Retaining Nut aligned to secure Inner Shell

8. Turn the head assembly back over & snap the three retaining levers back down to secure the Outer & Inner Shells. Check the retaining nuts to be sure all three are in contact with the plastic inner shell. Open retaining levers and tighten retaining nuts as needed to assure that the inner shell is properly secured when the latches are pushed down.

9. Reconnect the solution hose to the swivel, and the SX-15 is reassembled.

# USING THE SX-15

## Extraction Equipment

The SX-15 will work with portable or truck mounted extractors, but the water recovery may be better with higher powered extractors with more air flow. The extractor solution pump must provide a minimum of 700 psi of water pressure with a flow rate of 1.5 gpm (Gallon Per Minute). At 1000 psi the flow rate must exceed 2.0 gpm & at 1500 psi the flow rate must exceed 3.0 gpm.

The recommended range of pressure for SX-15 operation is 700 to 1500psi.

## Set-up Procedure

1. Connect the vacuum hose from your extractor to the vacuum pipe on the SX-15 handle. 2" vacuum hose and cuff is recommended. This will fit over the pipe. 1-1/2" vac hose can be used with an enlarger / adapter cuff (AH46).
2. Connect the solution hose from the extractor to the quick connect on the SX-15 valve assembly.
3. Turn the extractor ON. Adjust the water pressure to the desired pressure.  
Minimum Pressure: 700 psi Maximum Pressure: 2500 psi
4. Adjust the Vacuum Relief Slide for best recovery & ease of movement.

## Basic Cleaning Procedure

Remove all furniture from the area you are going to clean. Use tools and aids that will make your job easier and safer. Gliders walk off mats, furniture protector tabs and foam blocks can help with moving and placing furniture away from areas to be cleaned. Depending upon the customer's wishes, it may be alright to leave some furniture or appliances, such as refrigerators, in place and clean around them. Begin by sweeping or vacuuming the floor to remove dust and grit, pieces of glass, sand, etc. You can use the Gekko accessory brush head to vacuum to your truck mount. (Remember to use your Dust-Downer to prevent dry abrasives from getting into your blower.)

It is important for you to show utmost care for your client's home and furnishings. Place Corner Guards when moving your hoses about and use furniture skidders or floor guards for moving heavy appliances. Note any places where other surfaces

border the floor. Carpet, cabinets, MDF baseboard or trim, sensitive wall coverings, or painted surfaces need to be protected from any over spray. Caution and care in spraying is generally sufficient, but masking or use of a spray shield (like those used by painters) works well and may be necessary in high-risk areas. Use removable painter's tape to avoid damage to wood finishes when masking is removed. If the pre-sprays are over sprayed on the carpet they can simply be rinsed using your carpet wand.

Select the appropriate pre-spray and apply to the floor. Usually, a 5 minute or less dwell time is ideal. Excessive dwell time may actually retard the cleaning process by soaking in deeper and requiring more drying time before sealing. You could inadvertently begin a process of efflorescence by over-wetting. Avoid letting the pre-sprays dry on the floor by extracting within the five minute time frame. A helper can assist you by spraying three to five minutes ahead as you extract for highest efficiency.

Begin by going over large areas with the SX-15. Recommended pressure is 700 to 1500 psi, and temperature up to 200 F. It is usually easiest to move at a moderate rate forward and backward. You need only overlap enough to assure complete coverage. You will be surprised at how quickly you can clean with the SX-15. Moving too fast will create a spiral pattern in the grout or tile. Slow down so this pattern does not occur. Get air movers going where you have just extracted to get the grout dry as quickly as possible, especially if you plan to seal the grout the same day.

Do the detail work last. The Gekko is the tool of choice for edging, corners and cleaning in tight places. The Gekko tool with the Edge & Corner attachment works great for cleaning the tile coving and edges. For heavier soiling not removed by the SX-15, use the Gekko tool with a five inch head straight on, blasting the soil off of the grout.

## Recommended Tools for Tile Detail Work



Gekko Wand  
1693-1267



Gekko SX-7 Head  
1688-1777



14" Gekko Brush Head  
1601-1672



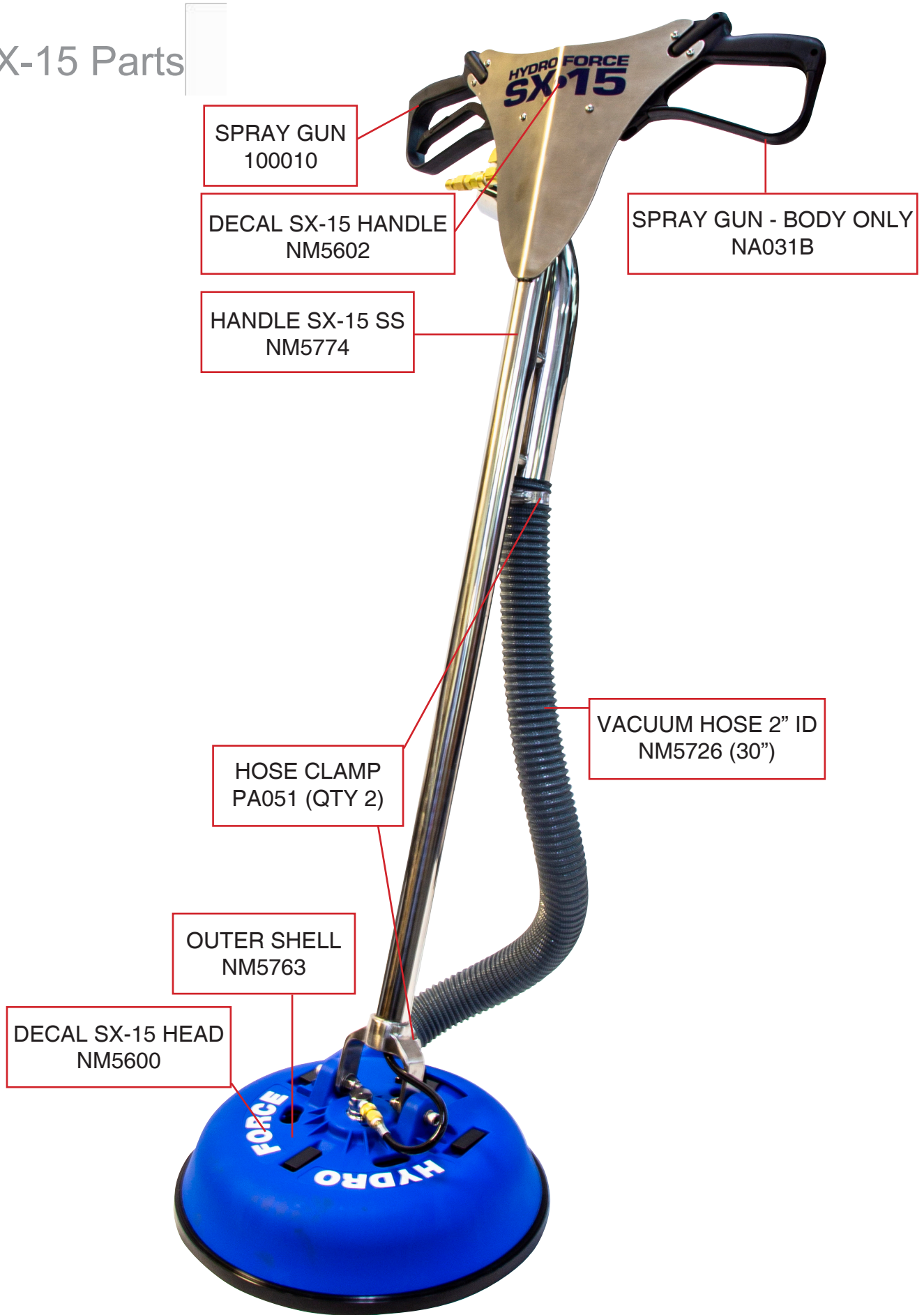
14" Gekko Squeegee Head  
1609-1579



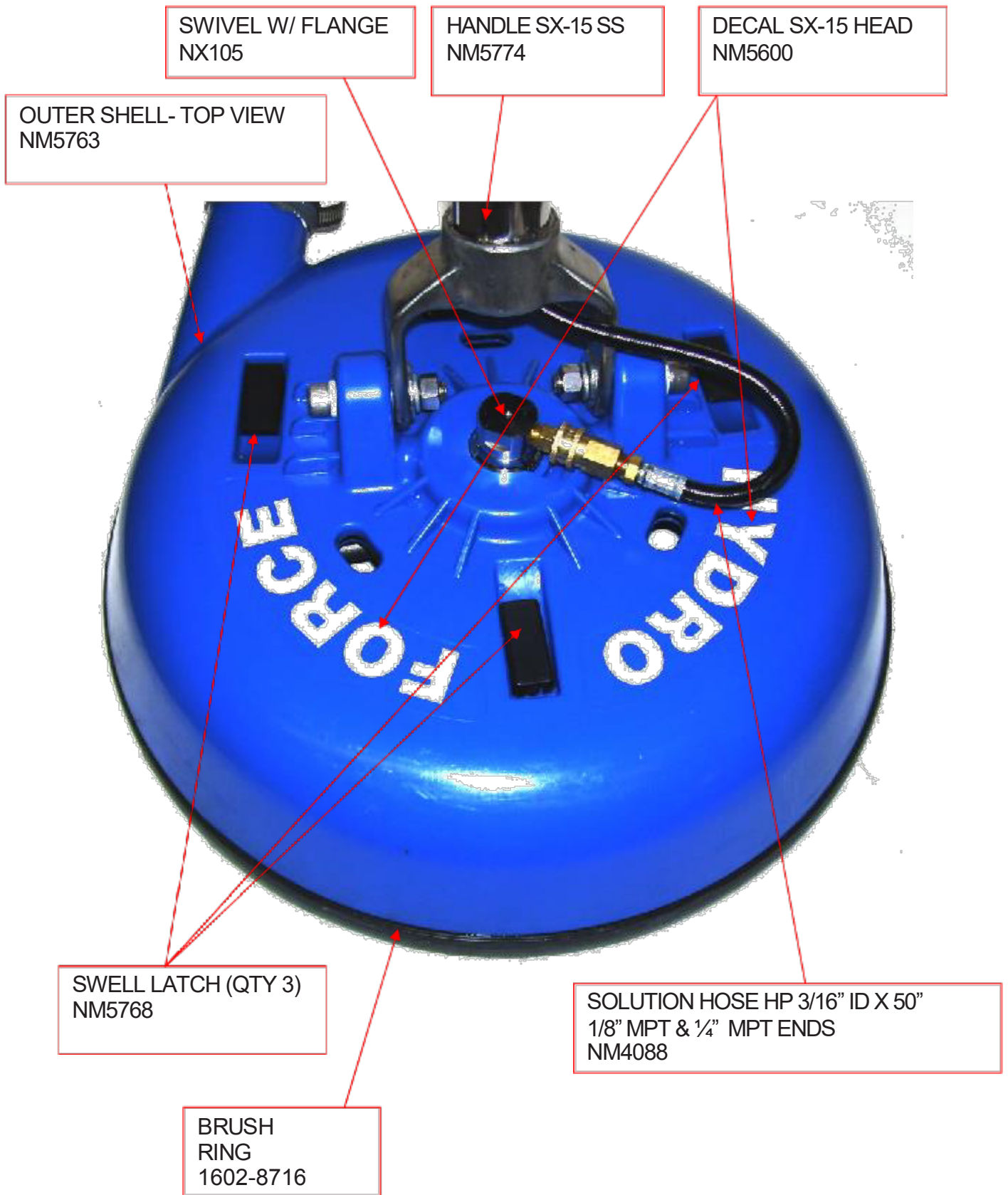
Gekko Edge Corner  
Coving Head  
1623-2047



# SX-15 Parts



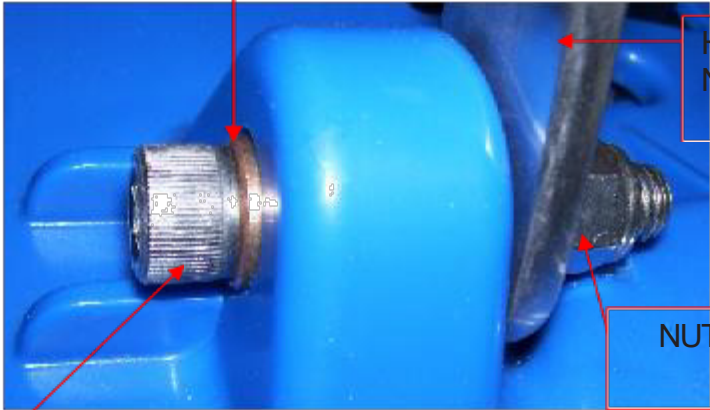
# SX-15 Parts



# SX-15 Parts

BUSHING BRONZE 3/8" ID X 5/8" OD X 2"  
NM5770 (QTY 2)

HANDLE SX-15 SS  
NM5774

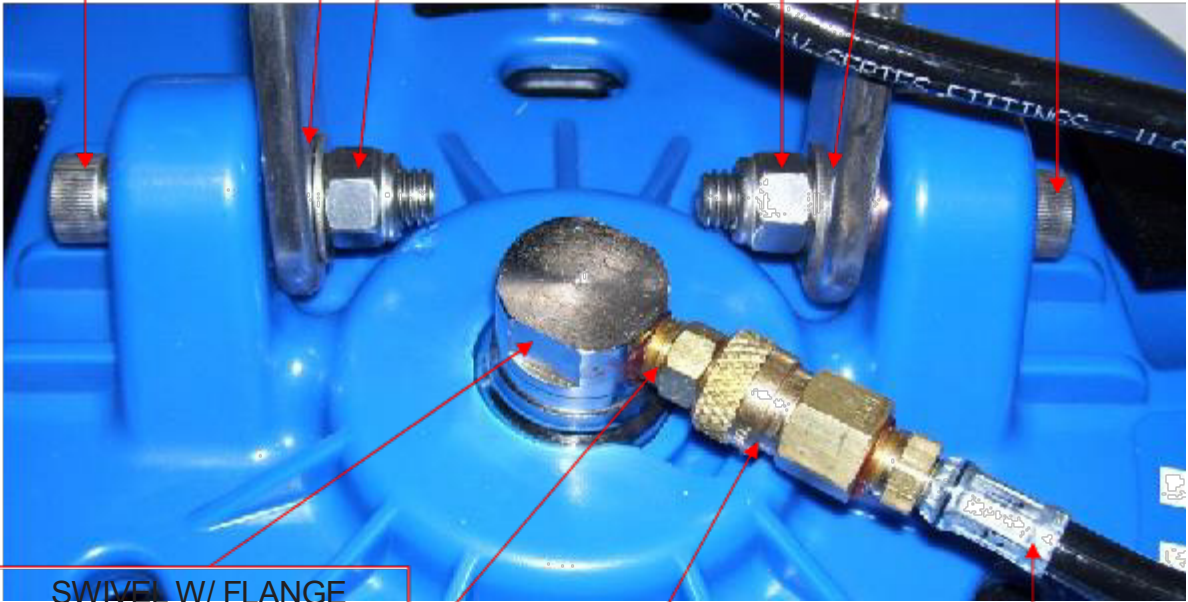


NUT 3/8-16 SS NYLOCK  
NM4085 (QTY 2)

SCREW 3/8-16 X 2" SS SOC HEAD  
NM5780 (QTY 2)

WASHER FLAT 3/8" SS  
PA189 (QTY 2)

NUT 3/8-16 SS NYLOCK  
NM4085 (QTY 2)



SWIVEL W/ FLANGE  
NX105

QC 1/8" FEMALE X 1/8" FPT  
NA034

QC 1/8" MALE X 1/8" MPT  
PKLF01

SOLUTION HOSE HP 3/16" ID X 50'  
1/8" MPT & 1/4" MPT ENDS NM4088

# SX-15 Parts

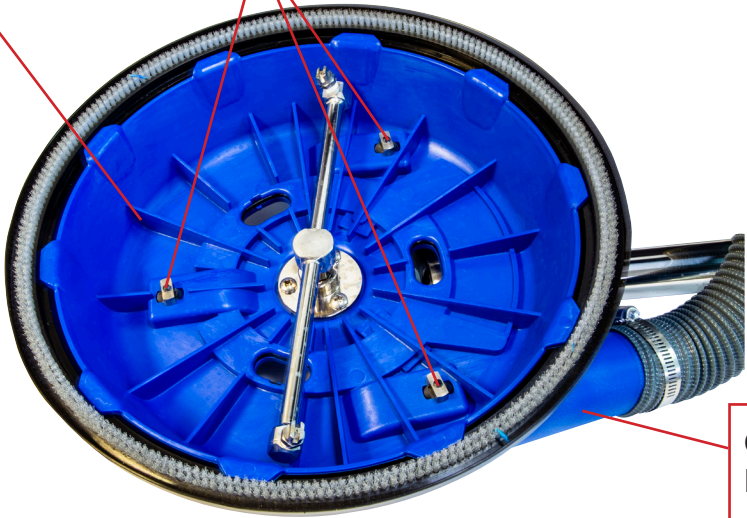
OUTER SHELL- BOTTOM VIEW  
NM5763

HANDLE SX-15 SS  
NM5774



RETAINING NUT - RECTANGULAR  
NM5784 (QTY 3)

INNER SHELL  
NM5761



OUTER SHELL  
NM5763

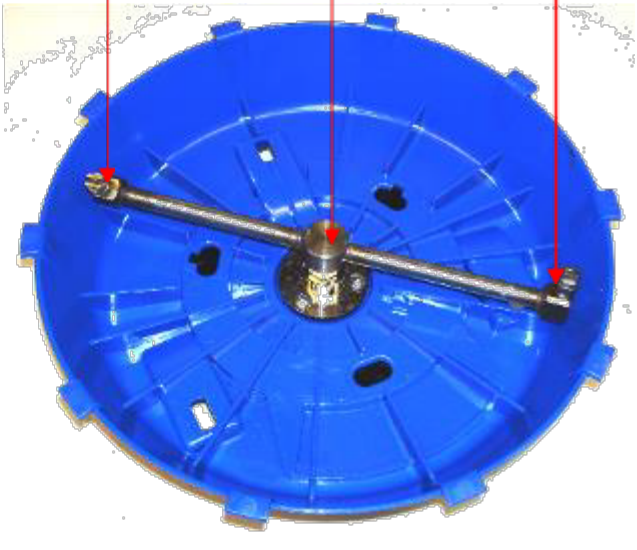
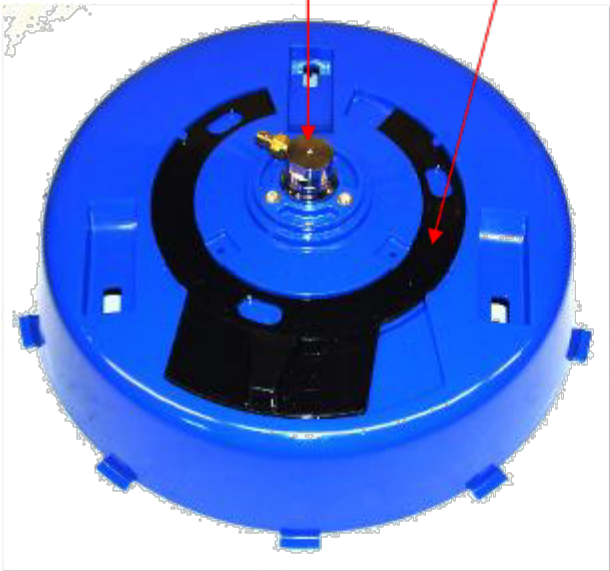
# SX-15 Parts

VACUUM RELIEF RING  
NM5765

VEEJET 1/8" SS MEG0502 (QTY 2)  
B632

SWIVEL W/ FLANGE  
NX105

SPRAY BAR SS  
NX115



INNER SHELL TOP VIEW  
NM5761

INNER SHELL BOTTOM VIEW  
NM5761

SCREW 1/4-28 X 1/2" SS PHP  
(QTY 3) NM5766

SPRAY BAR SS  
NX115



SWIVEL W/ FLANGE  
NX105

# SX-15 Parts



# SX-15 Parts

SPRAY GUN  
100010

ELBOW 45 1/4" STREET  
BR272

STRAINER BODY  
NA0802

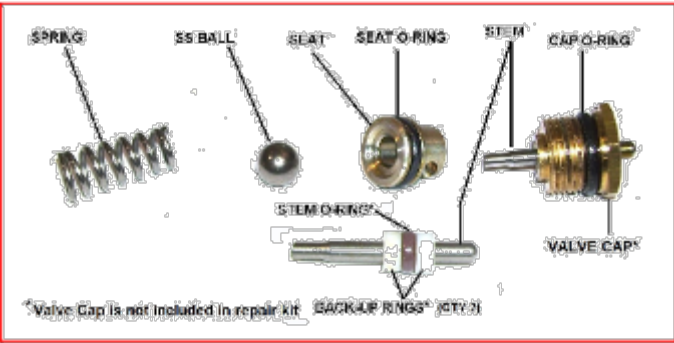
QC 1/4 Male  
AH102B



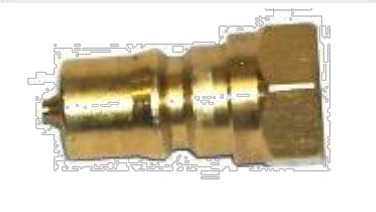
REPLACEMENT VALVE  
FOR 100010 SPRAY GUN  
NA033

STRAINER ADAPTER  
NA0804

ELBOW 90 1/4" STREET  
BR282



VALVE REPAIR KIT  
FOR 100010 SPRAY GUN  
NA033A



QC 1/4 Male  
AH102B



STRAINER BODY  
NA0802



STRAINER 50SS  
NA0803



STRAINER ADAPTER  
NA0804

# LIMITED WARRANTY

Your SX-15 tile cleaning tool is designed to give you years of reliable service. If a problem should arise contact your distributor or Hydro Force for assistance.

Hydro-Force warrants the SX-15 tile cleaning tool to be free from defects in material or workmanship for one year for the deck and handle and 90 days for all other items excluding normal wear and tear items such as, but not limited to, the hard Boot, brush Ring, quick connects, strainer screens, spray jets, swivel seals and valve seals.

During the warranty period, Hydro Force will, at its option repair or replace components which prove to be defective. This warranty does not provide for replacement of complete units due to defective components. Any costs for transportation or related service labor are not covered in this warranty. Replacement parts are warranted only for the remainder of the original warranty period.

This warranty shall not apply to defects resulting from improper operation, lack of maintenance, unauthorized modification, chemical incompatibility, misuse, abuse or exposure to freezing temperature conditions.

To obtain warranty service for the SX-15, contact your distributor or Hydro Force. If the tool must be returned to Hydro Force or an authorized service center, the purchaser shall prepay shipping charges for products returned for warranty service. No returned items will be accepted by Hydro Force without prior authorization. All returns must have a return authorization number, issued by Hydro Force, clearly marked on the exterior of the package.

Hydro Force makes no other warranty either expressed or implied with respect to this product.

The remedies provided herein are the purchaser's sole and exclusive remedies. In no event shall Hydro Force be liable for any direct, indirect, special, incidental or consequential damages.

This warranty gives you specific legal rights. You may also have other rights which vary from jurisdiction to jurisdiction.